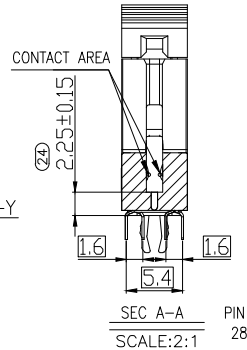
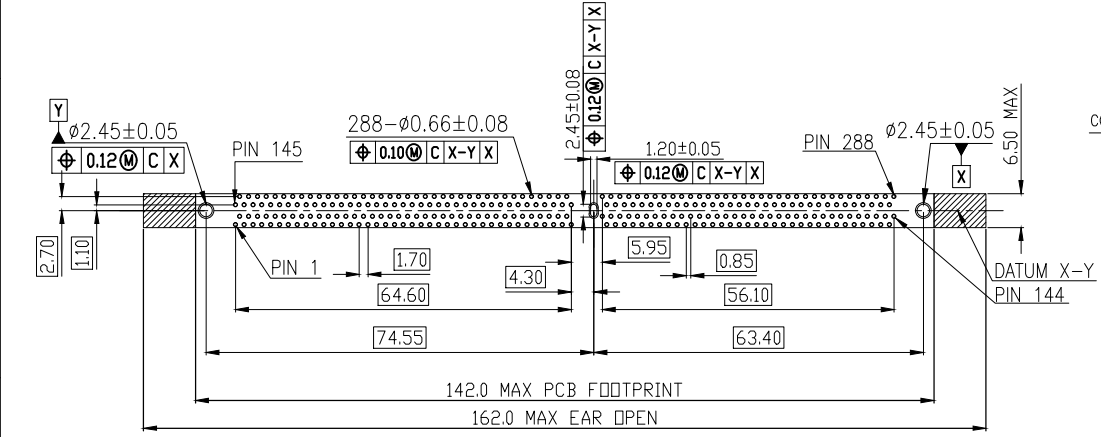
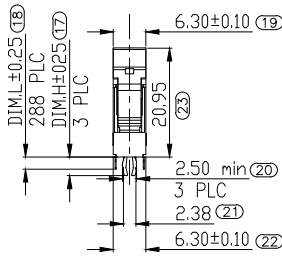
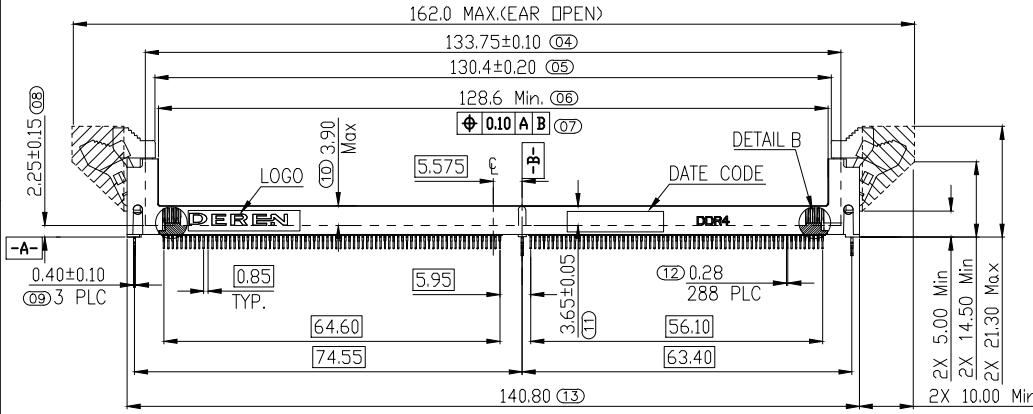
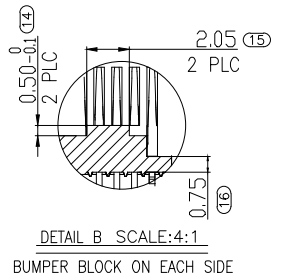
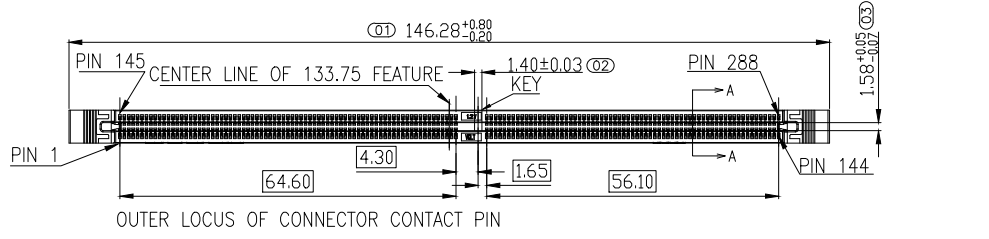


1	2	3	4
PART NUMBER	DIM.L CONTACT TAIL	DIM.H BOARD LOCK	DIM.G PCB
40-42287-2880*****	2.10±0.25	3.57±0.25	(1.40 or 1.60)
40-42287-2881*****	2.40±0.25	3.57±0.25	1.60
40-42287-2882*****	2.70±0.25	3.57±0.25	1.60
40-42287-2883*****	3.10±0.25	4.27±0.25	2.40

REV.	ECN NO.	LOCATION	DESCRIPTION	DATE	DESIGN
F	RD-EA-16-0095		ADD HOUSING COLOR	2016/03/11	CZH
G	RD-EA-17-0021		ADD CPK DIM. AND TRAY INF.	2017/04/21	Coy



- NOTES:
- PRODUCT MUST MEET CONTROLLED SUBSTANCES SPEC. ROHS 2.0
- MATERIAL:
    - HOUSING:HIGH TEMPERATURE THERMOPLASTIC, UL94V-0; COLOR: SEE PART NUMBER INFORMATION.
    - EAR:HIGH TEMPERATURE THERMOPLASTIC, UL94V-0;COLOR:SEE PART NUMBER INFORMATION.
    - CONTACT:COPPER ALLOY .
    - BOARD LOCK: STEEL .
  - FINISH:
    - CONTACT:
      - GOLD PLATING(SEE PART NUMBER INFORMATION.) ON CONTACT AREA.
      - 2.54um[100u"] MIN. MATTE-TIN PALTING ON SOLDER TAIL AREA.
      - 2.25um[90u"] MIN. NICKEL ON CONTACT AREA,1.27um[50u"] MIN. ON OTHER AREA
  - WAVE SOLDER CAPABLE TO 260°C 10S.
  - MECHANICAL SPECIFICATION:
    - INSERTION FORCE: 10.89kg MAX.
    - WITHDRAW FORCE: 14 g MIN PER CONTACT PAIR
    - CONTACT RETENTION FORCE: 0.3kg MIN PER CONTACT
    - DURABILITY: 25MATING AND UNMATING CYCLES
    - INSERTION FORCE OF CONNECTOR INTO PCB (WITH THREE BOARD LOCKS): 7.65kg MAX.
  - ELECTRICAL SPECIFICATION
    - CONTACT RESISTANCE: INITIAL:10 MILLIOHMS MAX. ,FINAL 20 MILLIOHMS MAX.
    - AFTER FULL ENVIRONMENTAL TESTING
    - CURRENT RATING: 0.75AMPS MAX.
    - INSULATION RESISTANCE: 1 MEGOHMS MIN. AT 500VAC
    - DIELECTRIC WITHSTAND VOLTAGE: 500VAC MIN. FOR ONE MINUTE.
  - ENVIRONMENT SPECIFICATION
    - OPERATING TEMPERATURE: -44°C TO +85°C.
    - SOLDERABILITY: PASSED PER JESD22-B102, Condition C.
    - VIBRATION: PASSED PER EIA-364-28.
    - HUMIDITY: PASSED PER EIA-364-31.
    - THERMAL SHOCK: PASSED PER EIA-364-32.
    - MECHANICAL SHOCK: PASSED PER EIA-364-27.
  - PART NUMBER INFORMATION:
 

40-42287-288 X X X X X T X

    - HF: HALOGEN FREE DEFAULT: HALOGEN
    - PACKAGE CODE: T: TRAY PACKING
    - 1.NO LOGO 2. DEREN LOGO
    - PLATING CODE: 1: GOLD 1u"Min
    - 2: GOLD 15u"
    - 3: GOLD 20u"
    - 4: GOLD 30u"
    - EAR COLOR:1:BLACK/U 3:BLUE
    - 2:WHITIE 4:GREEN
    - 5:GREY
    - HOUSING COLOR: \_\_\_\_\_
    - TAIL LENGTH:0:2.10 1:2.40
    - 2:2.70 3:3.10

RECOMMENDED PCB LAYOUT&THICKNESS(CONNECTOR SIDE)(TOL:±0.05mm)

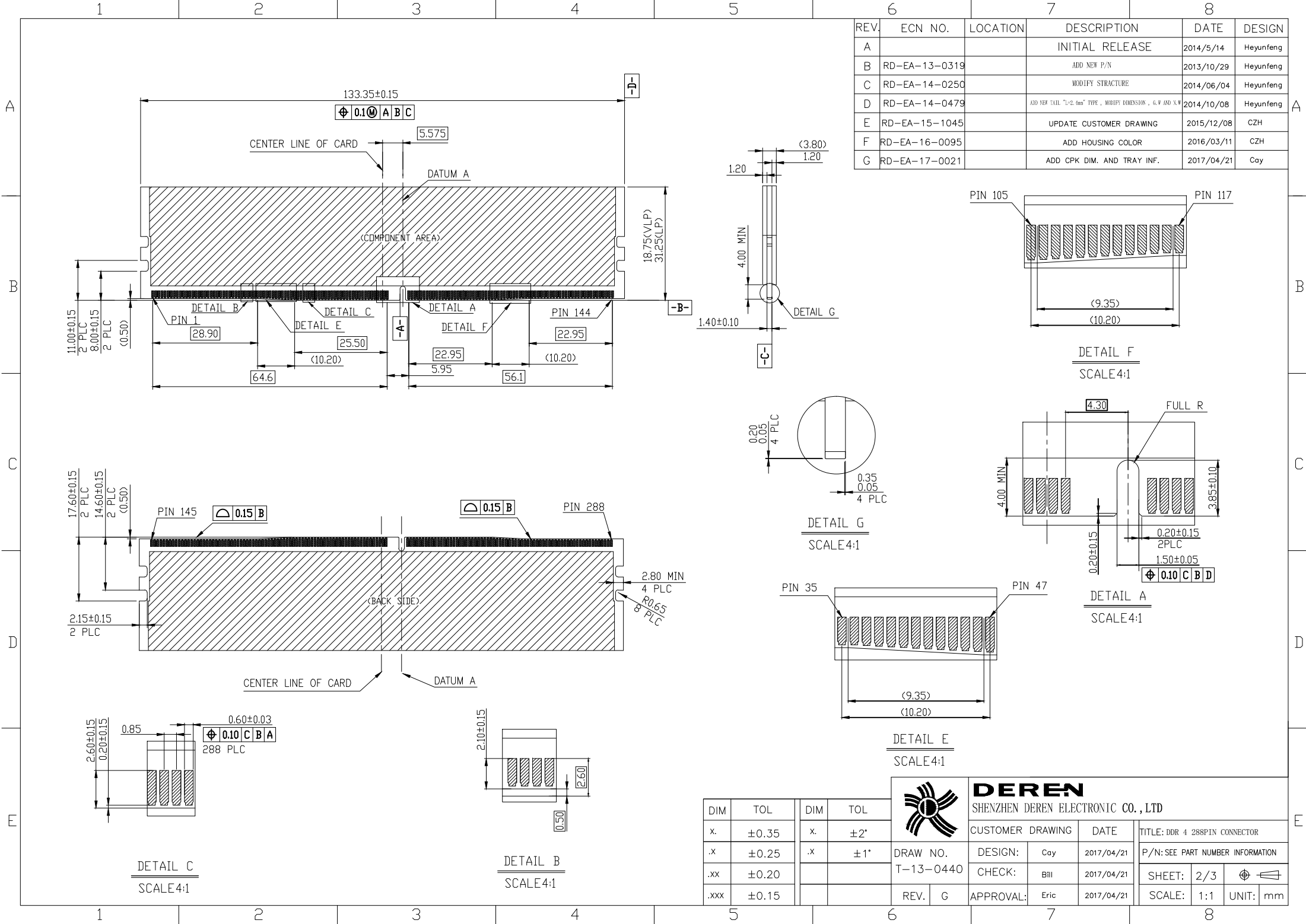
DIM	TOL	DIM	TOL
x.	±0.35	x.	±2'
.x	±0.25	.x	±1'
.xx	±0.20		
.xxx	±0.15		

**DEREN**  
SHENZHEN DEREN ELECTRONIC CO., LTD

CUSTOMER DRAWING		DATE		TITLE: DDR 4 288PIN CONNECTOR	
DESIGN:	Coy	2017/04/21	P/N: SEE PART NUMBER INFORMATION		
CHECK:	Bill	2017/04/21	SHEET:	1/3	
APPROVAL:	Eric	2017/04/21	SCALE:	1:1	UNIT: mm

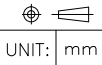
DRAW NO. T-13-0440

REV. G



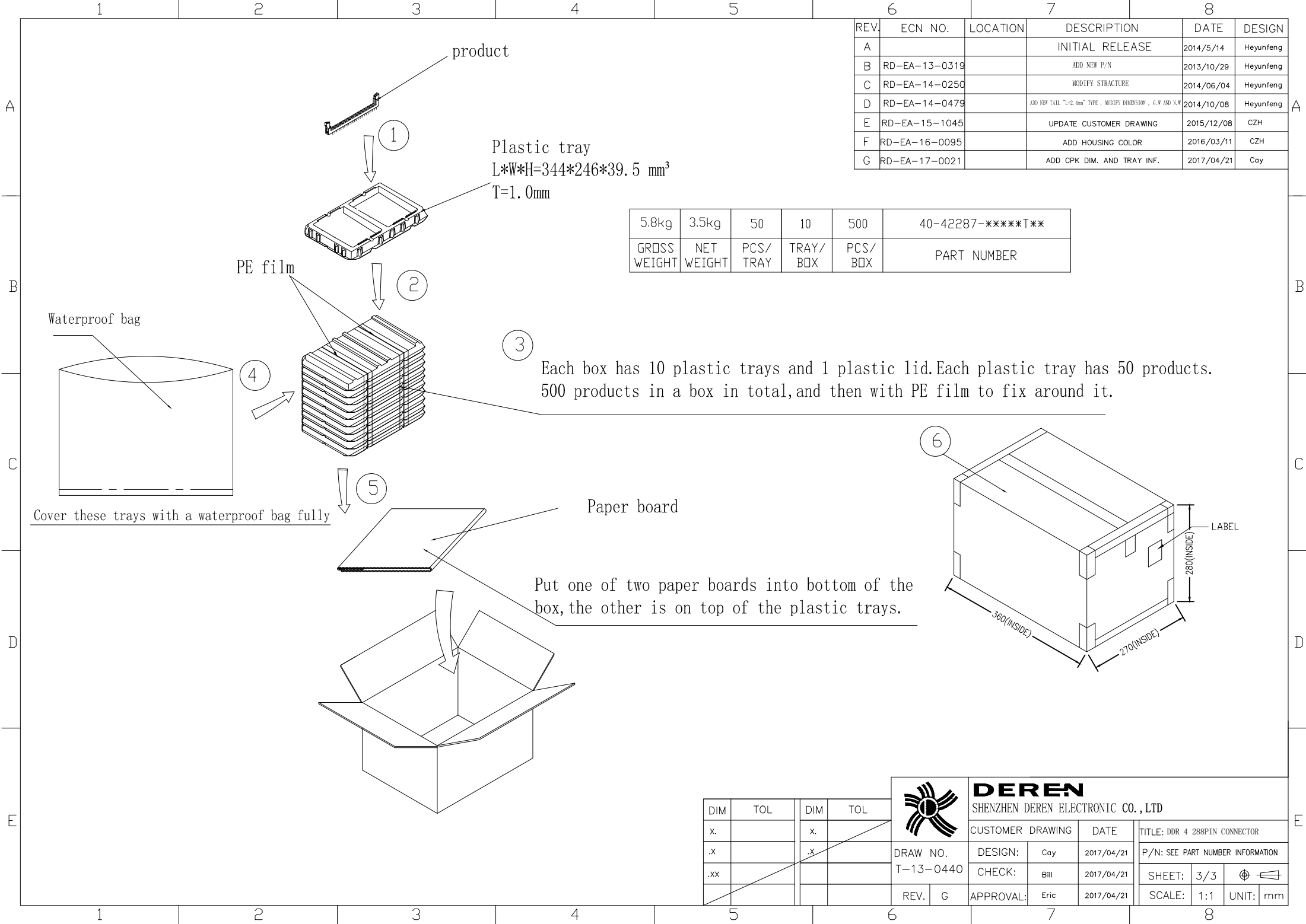
REV.	ECN NO.	LOCATION	DESCRIPTION	DATE	DESIGN
A			INITIAL RELEASE	2014/5/14	Heyunfeng
B	RD-EA-13-0319		ADD NEW P/N	2013/10/29	Heyunfeng
C	RD-EA-14-0250		MODIFY STRUCTURE	2014/06/04	Heyunfeng
D	RD-EA-14-0479		ADD NEW TAIL "L-2.4mm" TYPE, MODIFY DIMENSION, G.P AND X.V	2014/10/08	Heyunfeng
E	RD-EA-15-1045		UPDATE CUSTOMER DRAWING	2015/12/08	CZH
F	RD-EA-16-0095		ADD HOUSING COLOR	2016/03/11	CZH
G	RD-EA-17-0021		ADD CPK DIM. AND TRAY INF.	2017/04/21	Cay

DIM	TOL	DIM	TOL	 <b>DEREN</b> SHENZHEN DEREN ELECTRONIC CO., LTD	CUSTOMER DRAWING		DATE		TITLE: DDR 4 288PIN CONNECTOR	
.x	±0.35	.x	±2'		DRAW NO.	DESIGN:	Cay	2017/04/21	P/N: SEE PART NUMBER INFORMATION	
.x	±0.25	.x	±1'		T-13-0440	CHECK:	BHl	2017/04/21	SHEET:	2/3
.xxx	±0.15				REV. G	APPROVAL:	Eric	2017/04/21	SCALE:	1:1



REV.	ECN NO.	LOCATION	DESCRIPTION	DATE	DESIGN
A			INITIAL RELEASE	2014/5/14	Heyunfeng
B	RD-EA-13-0319		ADD NEW P/N	2013/10/29	Heyunfeng
C	RD-EA-14-0250		MODIFY STRUCTURE	2014/06/04	Heyunfeng
D	RD-EA-14-0479		ADD NEW TAIL "L-2.4mm" TYPE , MODIFY DIMENSION , G.P AND X.Y	2014/10/08	Heyunfeng
E	RD-EA-15-1045		UPDATE CUSTOMER DRAWING	2015/12/08	CZH
F	RD-EA-16-0095		ADD HOUSING COLOR	2016/03/11	CZH
G	RD-EA-17-0021		ADD CPK DIM. AND TRAY INF.	2017/04/21	Cay

5.8kg	3.5kg	50	10	500	40-42287-*****T**
GROSS WEIGHT	NET WEIGHT	PCS/ TRAY	TRAY/ BOX	PCS/ BOX	PART NUMBER



DIM	TOL	DIM	TOL
x.		x.	
.x		.x	
.xx			

**DEREN**  
SHENZHEN DEREN ELECTRONIC CO., LTD

CUSTOMER DRAWING	DATE	TITLE: DDR 4 288PIN CONNECTOR	
DESIGN: Cay	2017/04/21	P/N: SEE PART NUMBER INFORMATION	
CHECK: Bill	2017/04/21	SHEET: 3/3	
APPROVAL: Eric	2017/04/21	SCALE: 1:1	UNIT: mm

DRAW NO.  
T-13-0440

REV. G