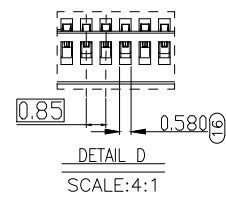
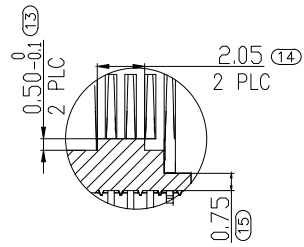
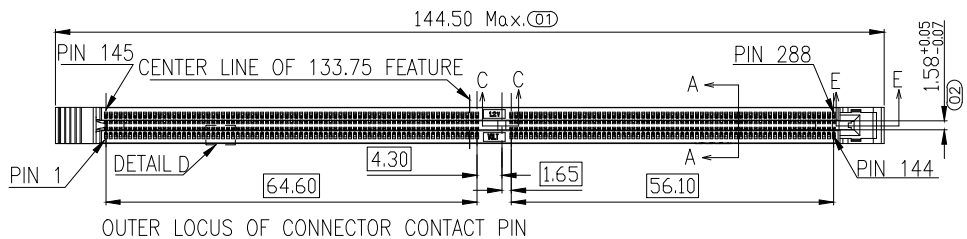


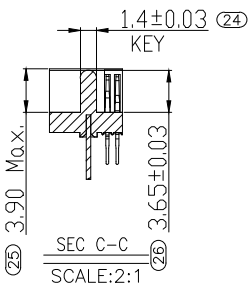
PART NUMBER	DIM.L CONTACT TAIL	DIM.H BOARD LOCK	DIM.G PCB
40-42448-2880*****	2.10±0.25	3.57±0.25	(1.40 or 1.60)
40-42448-2881*****	2.40±0.25	3.57±0.25	1.60
40-42448-2882*****	2.70±0.25	3.57±0.25	1.60
40-42448-2883*****	3.10±0.25	3.85±0.25	2.40

THIS SHEET SHOW TWO BOARD LOCK TYPE.

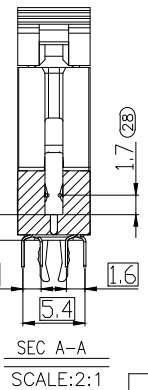
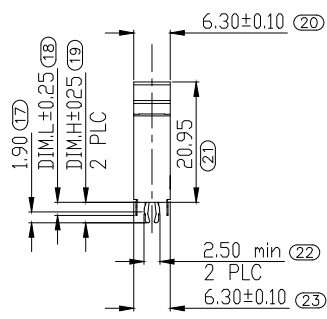
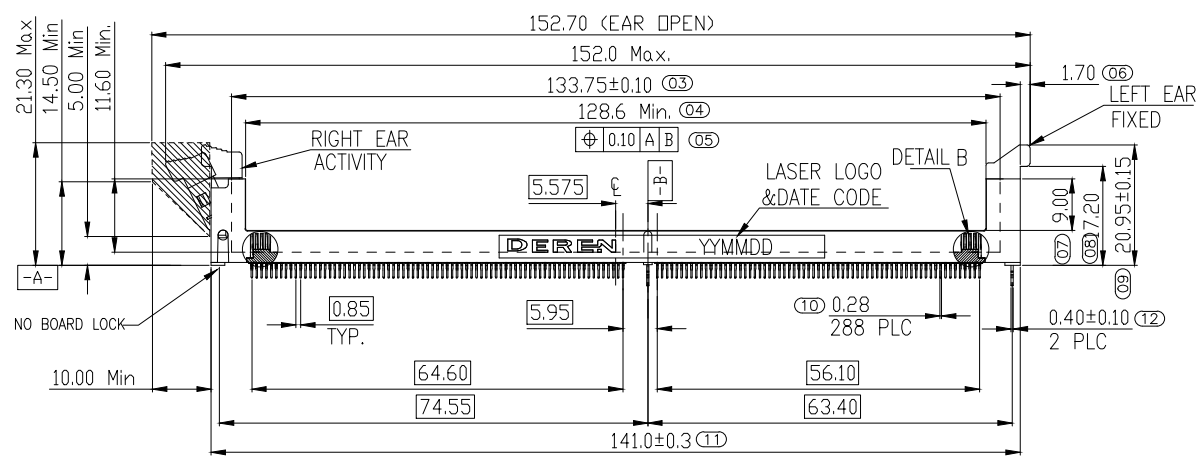
REV	ECN NO.	LOCATION	DESCRIPTION	DATE	DESIGN
A			INITIAL RELEASE	2015/12/10	CZH
B			ADD BOARD LOCK PLATING NOTES	2016/8/01	CZH
C			UPDATE	2016/11/24	Cay
D			ADD THREE BOARD LOCK TYPE	2017/07/25	Cay



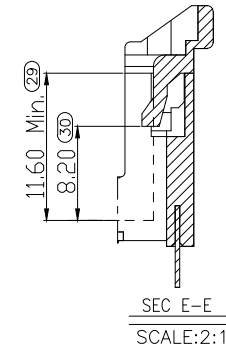
DETAIL B SCALE:4:1
BUMPER BLOCK ON EACH SIDE



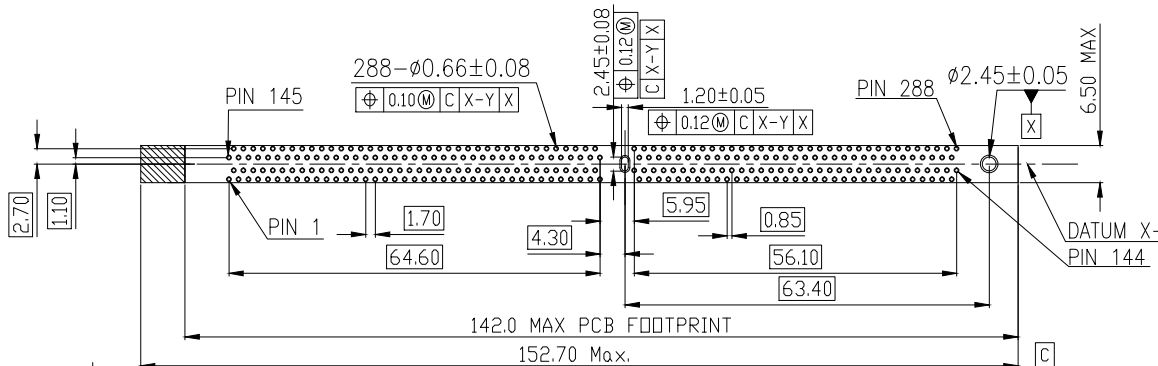
SEC C-C
SCALE:2:1



SEC A-A
SCALE:2:1



SEC E-E
SCALE:2:1



RECOMMENDED PCB LAYOUT & THICKNESS (CONNECTOR SIDE)

DIM	TOL	DIM	TOL
.x	±0.35	.x	±2'
.x	±0.25	.x	±1'
.xx	±0.15		
.xxx	±0.15		

DEREN
SHENZHEN DEREN ELECTRONIC CO., LTD

CUSTOMER DRAWING		DATE	TITLE: DDR 4 288PIN CONNECTOR	
DESIGN:	Cay	2017/8/02	P/N: SEE PART NUMBER INFORMATION	
CHECK:	Bill	2017/8/02	SHEET:	1/5
APPROVAL:	Smark	2017/8/02	SCALE:	1:1
REV.	D		UNIT:	mm



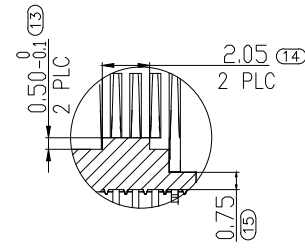
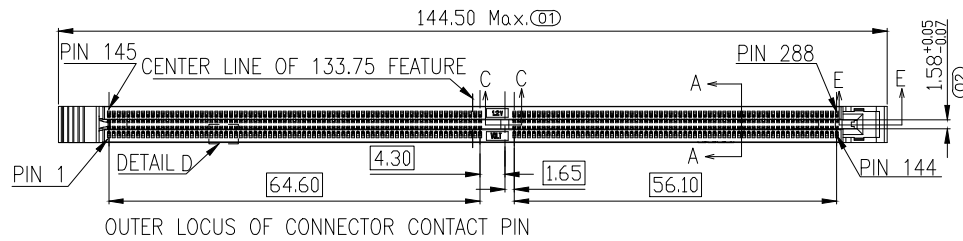
DEREN
SHENZHEN DEREN ELECTRONIC CO., LTD

CUSTOMER DRAWING		DATE	TITLE: DDR 4 288PIN CONNECTOR	
DESIGN:	Cay	2017/8/02	P/N: SEE PART NUMBER INFORMATION	
CHECK:	Bill	2017/8/02	SHEET:	1/5
APPROVAL:	Smark	2017/8/02	SCALE:	1:1
REV.	D		UNIT:	mm

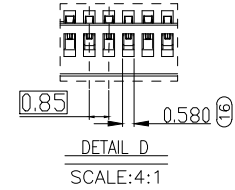
PART NUMBER	DIM.L CONTACT TAIL	DIM.H BOARD LOCK	DIM.G PCB
40-42448-2880*****	2.10±0.25	3.57±0.25	(1.40 or 1.60)
40-42448-2881*****	2.40±0.25	3.57±0.25	1.60
40-42448-2882*****	2.70±0.25	3.57±0.25	1.60
40-42448-2883*****	3.10±0.25	3.85±0.25	2.40

REV.	ECN NO.	LOCATION	DESCRIPTION	DATE	DESIGN
A			INITIAL RELEASE	2015/12/10	CZH
B			ADD BOARD LOCK PLATING NOTES	2016/8/01	CZH
C			UPDATE	2016/11/24	Cay
D			ADD THREE BOARD LOCK TYPE	2017/08/02	Cay

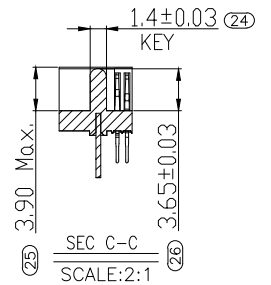
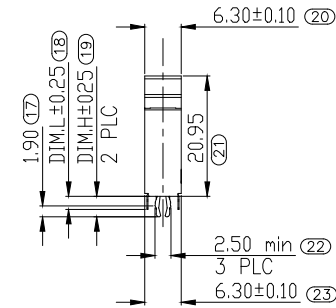
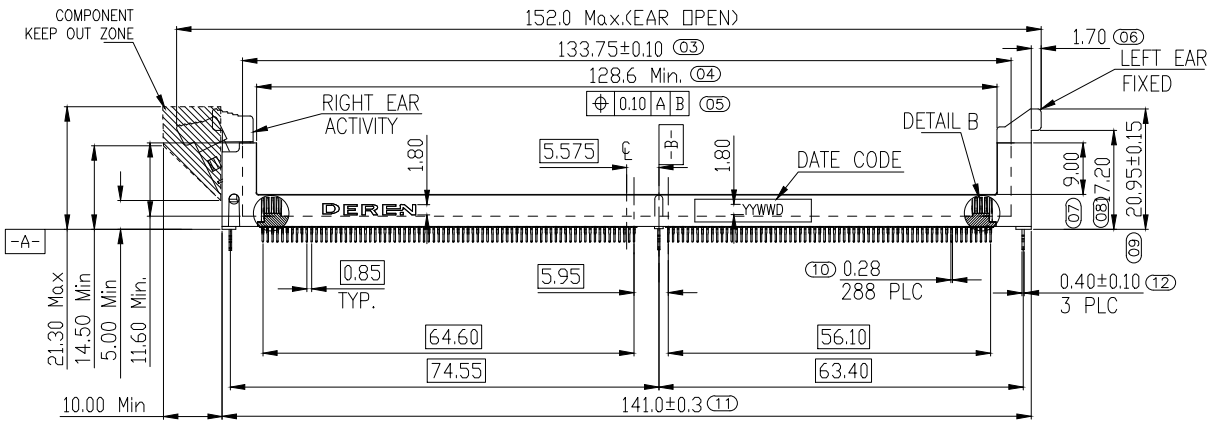
THIS SHEET SHOW THREE BOARD LOCK TYPE.



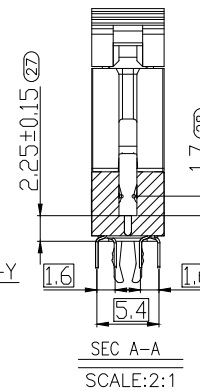
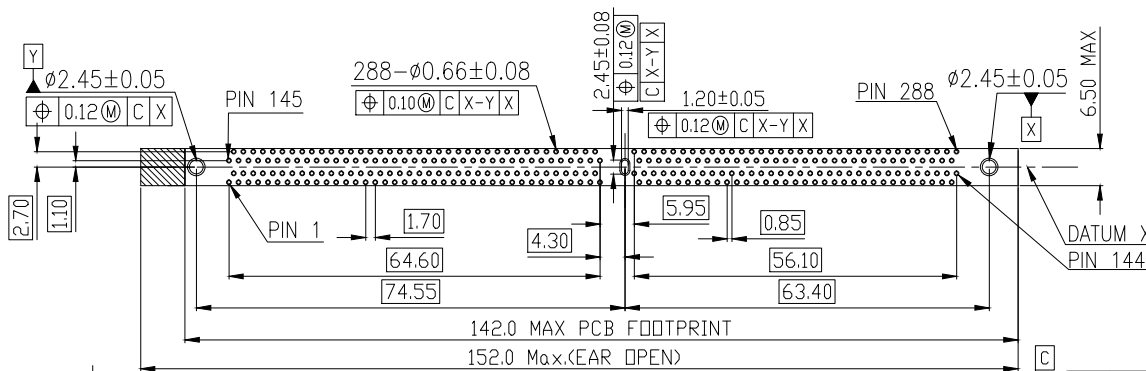
DETAIL B SCALE:4:1
BUMPER BLOCK ON EACH SIDE



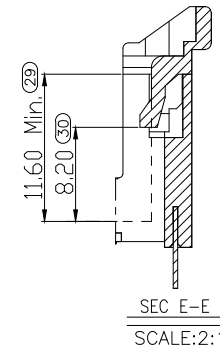
DETAIL D
SCALE:4:1



SEC C-C
SCALE:2:1



SEC A-A
SCALE:2:1



SEC E-E
SCALE:2:1

RECOMMENDED PCB LAYOUT & THICKNESS (CONNECTOR SIDE)

DIM	TOL	DIM	TOL
.x	±0.35	.x	±2'
.x	±0.25	.x	±1'
.xx	±0.15		
.xxx	±0.15		



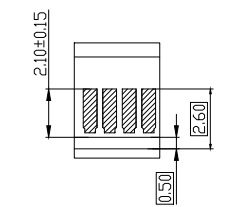
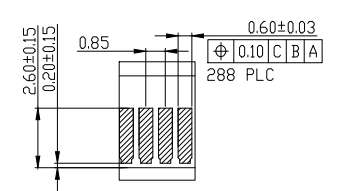
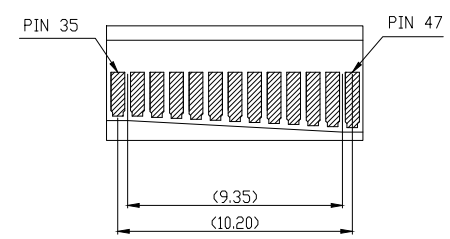
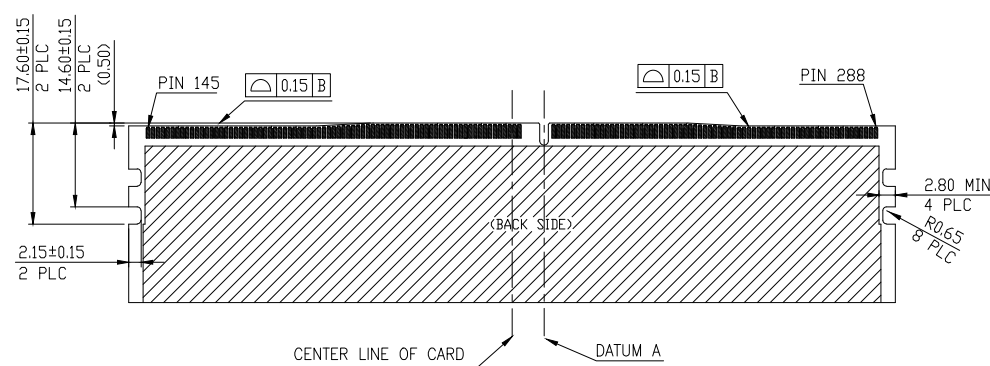
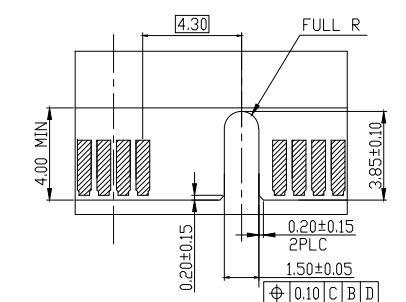
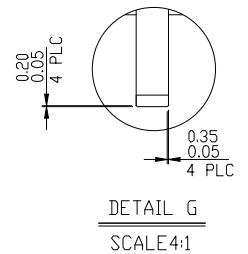
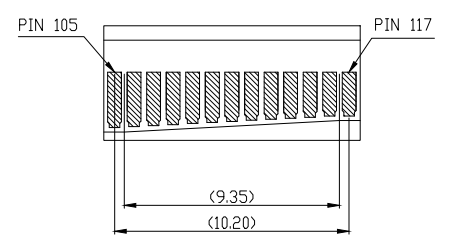
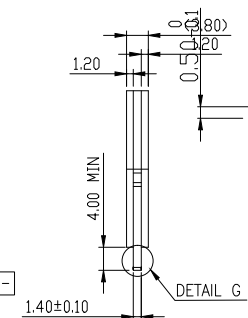
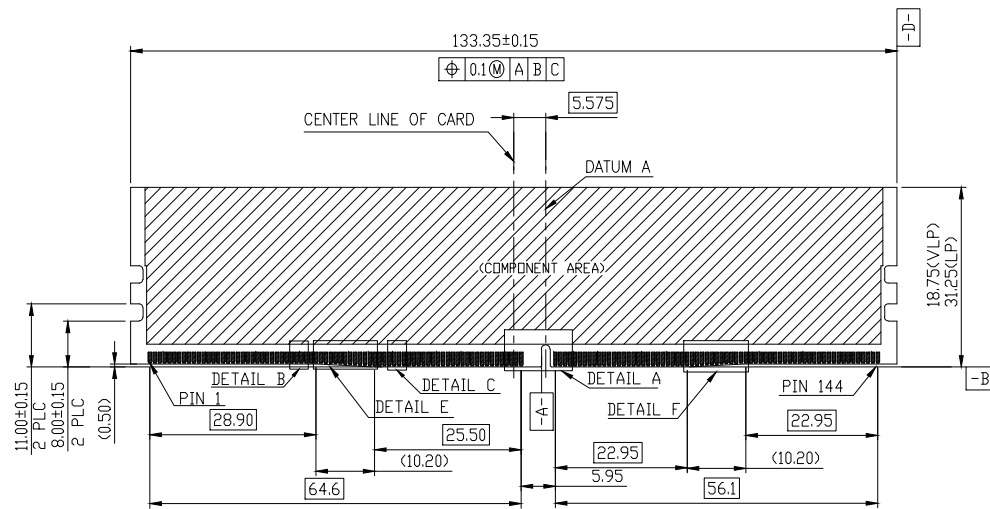
DEREN

SHENZHEN DEREN ELECTRONIC CO., LTD

CUSTOMER DRAWING		DATE	TITLE: DDR 4 288PIN CONNECTOR	
DESIGN:	Cay	2017/8/02	P/N: SEE PART NUMBER INFORMATION	
CHECK:	Bill	2017/8/02	SHEET:	2/5
APPROVAL:	Smark	2017/8/02	SCALE:	1:1
REV.	D		UNIT:	mm

DRAW NO.
T-15-1126

REV.	ECN NO.	LOCATION	DESCRIPTION	DATE	DESIGN
A			INITIAL RELEASE	2015/12/10	CZH
B			ADD BOARD LOCK PLATING NOTES	2016/8/01	CZH
C			UPDATE	2016/11/24	Cay
D			ADD THREE BOARD LOCK TYPE	2017/08/02	Cay



DIM	TOL	DIM	TOL
.x	±0.35	.x	±2*
.x	±0.25	.x	±1*
.xx	±0.20		
.xxx	±0.15		

DEREN
 SHENZHEN DEREN ELECTRONIC CO., LTD

CUSTOMER DRAWING DATE TITLE: DDR 4 288PIN CONNECTOR

DESIGN: Cay 2017/8/02 P/N: SEE PART NUMBER INFORMATION

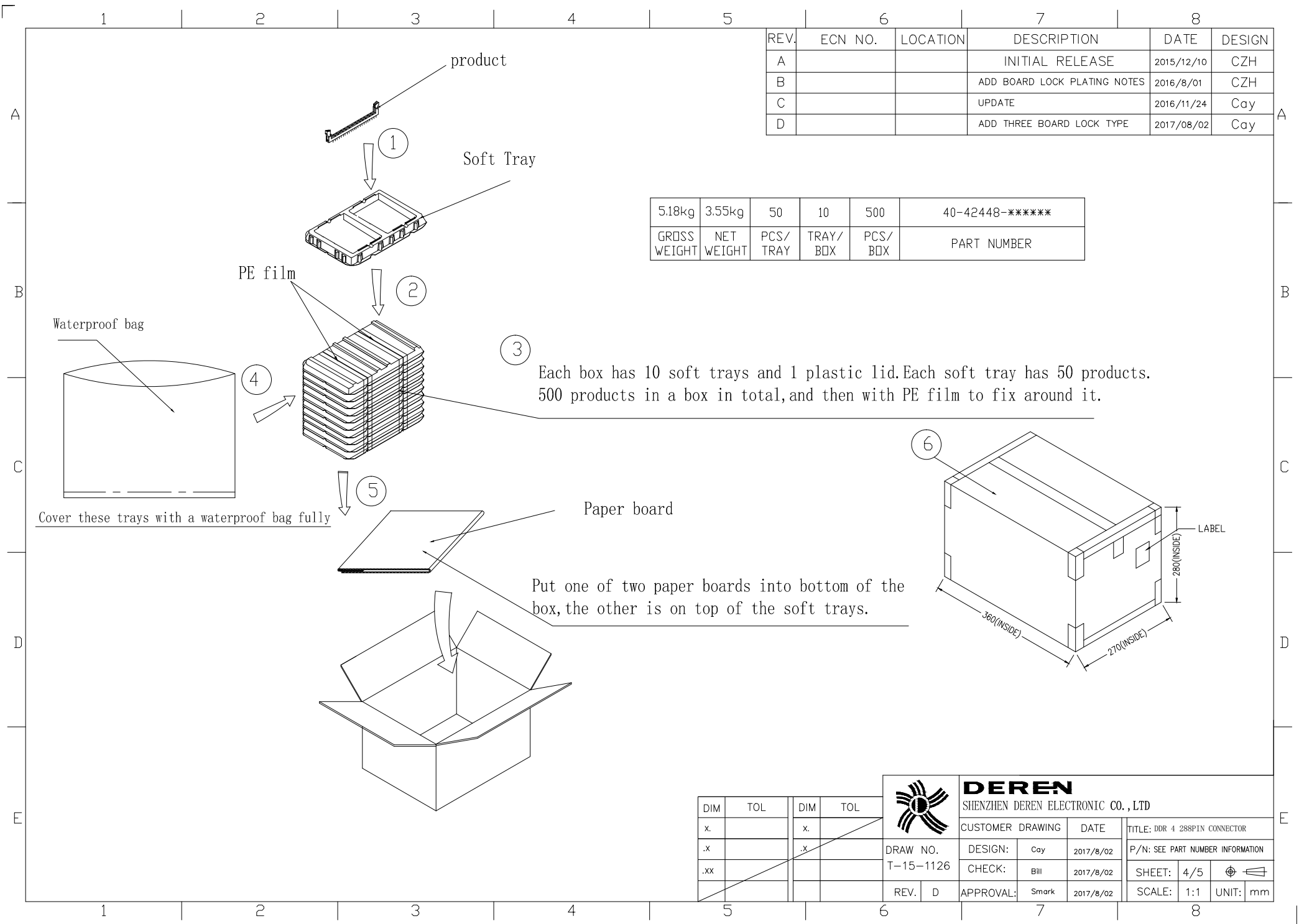
CHECK: Bill 2017/8/02 SHEET: 3/5

APPROVAL: Smark 2017/8/02 SCALE: 1:1 UNIT: mm

REV. D DRAW NO. T-15-1126

REV.	ECN NO.	LOCATION	DESCRIPTION	DATE	DESIGN
A			INITIAL RELEASE	2015/12/10	CZH
B			ADD BOARD LOCK PLATING NOTES	2016/8/01	CZH
C			UPDATE	2016/11/24	Cay
D			ADD THREE BOARD LOCK TYPE	2017/08/02	Cay

5.18kg	3.55kg	50	10	500	40-42448-*****
GROSS WEIGHT	NET WEIGHT	PCS/ TRAY	TRAY/ BOX	PCS/ BOX	PART NUMBER



DIM	TOL	DIM	TOL	DEREN		SHENZHEN DEREN ELECTRONIC CO., LTD	
x.		x.		DRAW NO. T-15-1126	CUSTOMER DRAWING	DATE	TITLE: DDR 4 288PIN CONNECTOR
.x		.x			DESIGN: Cay	2017/8/02	P/N: SEE PART NUMBER INFORMATION
.xx					CHECK: Bill	2017/8/02	SHEET: 4/5
				REV. D	APPROVAL: Smark	2017/8/02	SCALE: 1:1 UNIT: mm

NOTES:

PRODUCT MUST MEET CONTROLLED SUBSTANCES SPEC. ROHS 2.0

1. MATERIAL:

- 1.1 HOUSING: HIGH TEMPERATURE NYLON, UL94V-0; COLOR: SEE PART NUMBER INFORMATION.
- 1.2 EAR: HIGH TEMPERATURE NYLON,UL94V-0;COLOR:SEE PART NUMBER INFORMATION.
- 1.3 CONTACT: COPPER ALLOY, T=0.20.
- 1.4 BOARD LOCK: STEEL .

2. FINISH:

2.1 CONTACT:

- GOLD PLATING(SEE PART NUMBER INFORMATION.) ON CONTACT AREA.
- 2.54um[100u"] MIN. MATTE-TIN PALTING ON SOLDER TAIL AREA.
- 2.25um[90u"] MIN. ON CONTACT AREA,1.27um[50u"] MIN. NICKEL ON OTHER AREA

2.2 BOARD LOCK:

- 2.54um[80u"] MIN. MATTE-TIN PALTING ON SOLDER TAIL AREA.
- 1.27um[50u"] MIN. NICKEL ON OTHER AREA

3. WAVE SOLDER CAPABLE TO 270°C 6s.

4. MECHANICAL SPECIFICATION:

- INSERTION FORCE: 10.89kg MAX.
- WITHDRAW FORCE: 14 g MIN PER CONTACT PAIR
- CONTACT RETENTION FORCE: 0.3kg MIN PER CONTACT
- DURABILITY: 25MATING AND UNMATING CYCLES
- INSERTION FORCE OF CONNECTOR INTO PCB (WITH THREE BOARD LOCKS): 7.65kg MAX.

5. ELECTRICAL SPECIFICATION

- CONTACT RESISTANCE: INITIAL:10 MILLIOHMS MAX. ,FINAL 20 MILLIOHMS MAX.
- AFTER FULL ENVIRONMENTAL TESTING
- CURRENT RATING: 0.75AMPS MAX.
- INSULATION RESISTANCE: 1 MEGOHMS MIN. AT 500VAC
- DIELECTRIC WITHSTAND VOLTAGE: 500VAC MIN. FOR ONE MINUTE.

6. ENVIRONMENT SPECIFICATION

- OPERATING TEMPERATURE: -44°C TO +85°C.
- SOLDERABILITY: PASSED PER JESD22-B102, Condition C.
- VIBRATION: PASSED PER EIA-364-28.
- HUMIDITY: PASSED PER EIA-364-31.
- THERMAL SHOCK: PASSED PER EIA-364-32.
- MECHANICAL SHOCK: PASSED PER EIA-364-27.


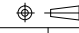
REV.	ECN NO.	LOCATION	DESCRIPTION	DATE	DESIGN
A			INITIAL RELEASE	2015/12/10	CZH
B			ADD BOARD LOCK PLATING NOTES	2016/8/01	CZH
C			UPDATE	2016/11/24	Cay
D			ADD THREE BOARD LOCK TYPE	2017/07/25	Cay

7. PART NUMBER INFORMATION:

40-42448-288 X X X X X T HF

- HF: HALOGEN FREE DEFAULT: HALOGEN
- PACKAGE CODE: T: TRAY PACKING
- 1. NO LOGO, TWO BOARD LOCK
- 2. DEREN LOGO, TWO BOARD LOCK
- 3. NO LOGO, THREE BOARD LOCK
- 4. DEREN LOGO, THREE BOARD LOCK
- PLATING CODE: 1: GOLD 1u"Min 2: GOLD 15u"
- 3: GOLD 20u" 4: GOLD 30u"
- FOR WAVE SOLDER: 1:BLACK/U 2:WHITIE
- 3:BLUE 4:GREY 432U
- FOR REFLOW SOLDER: 5:BLACK/U 6:WHITIE
- 7:BLUE
- FOR WAVE SOLDER: 1:BLACK/U 2:WHITIE
- 3:BLUE 4:GREY 432U
- FOR REFLOW SOLDER: 9:BLACK/U 10:WHITIE
- A:BLUE
- TAIL LENGTH:0:2.10 1:2.40
- 2:2.70 3:3.10
- 4:2.50
- PIN NUMBER CODE:
- 288: 288 PINS

DIM	TOL	DIM	TOL
x.		x.	
.x		.x	
.xx			

		DEREN SHENZHEN DEREN ELECTRONIC CO.,LTD		CUSTOMER DRAWING		DATE	TITLE: DDR 4 288PIN CONNECTOR	
				DESIGN: Cay	2017/8/02	P/N: SEE PART NUMBER INFORMATION		
DRAW NO. T-15-1126		CHECK: Bill	2017/8/02	SHEET: 5/5			SCALE: 1:1 UNIT: mm	
REV. D	APPROVAL: Smark	2017/8/02						