

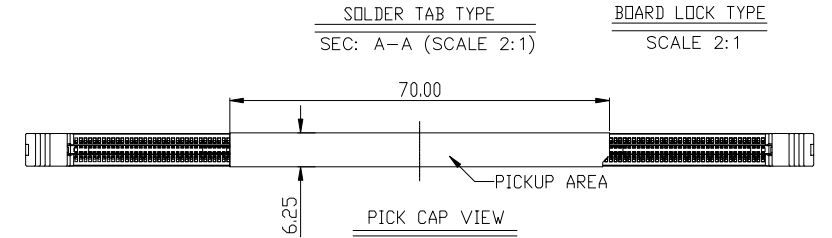
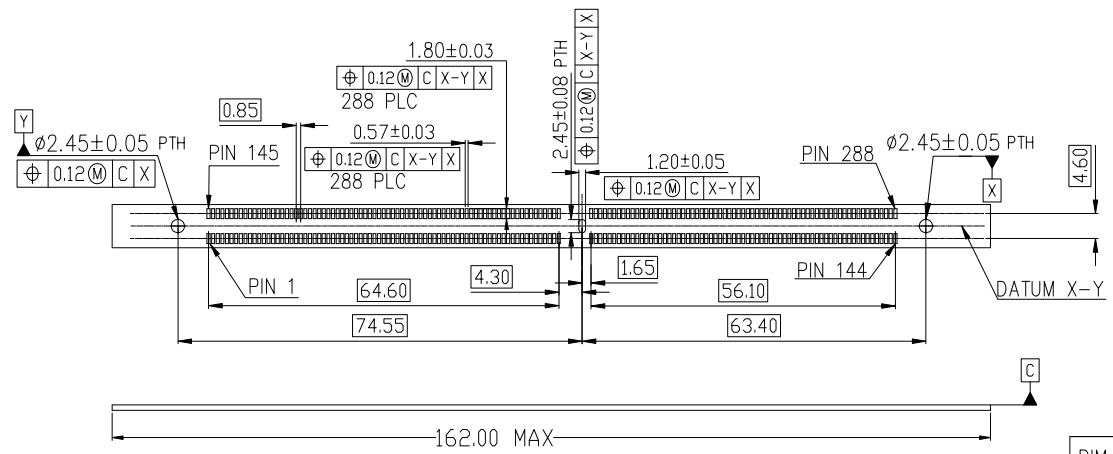
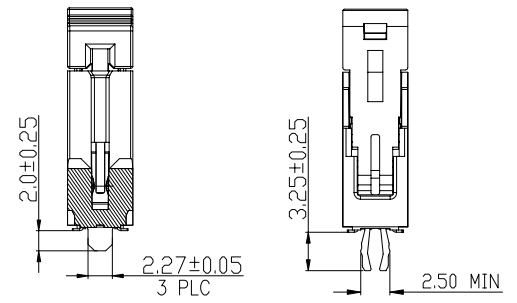
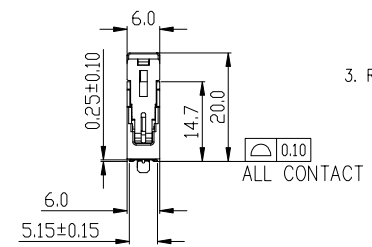
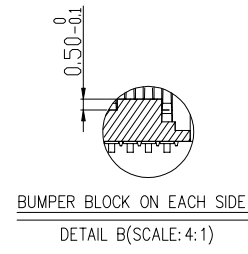
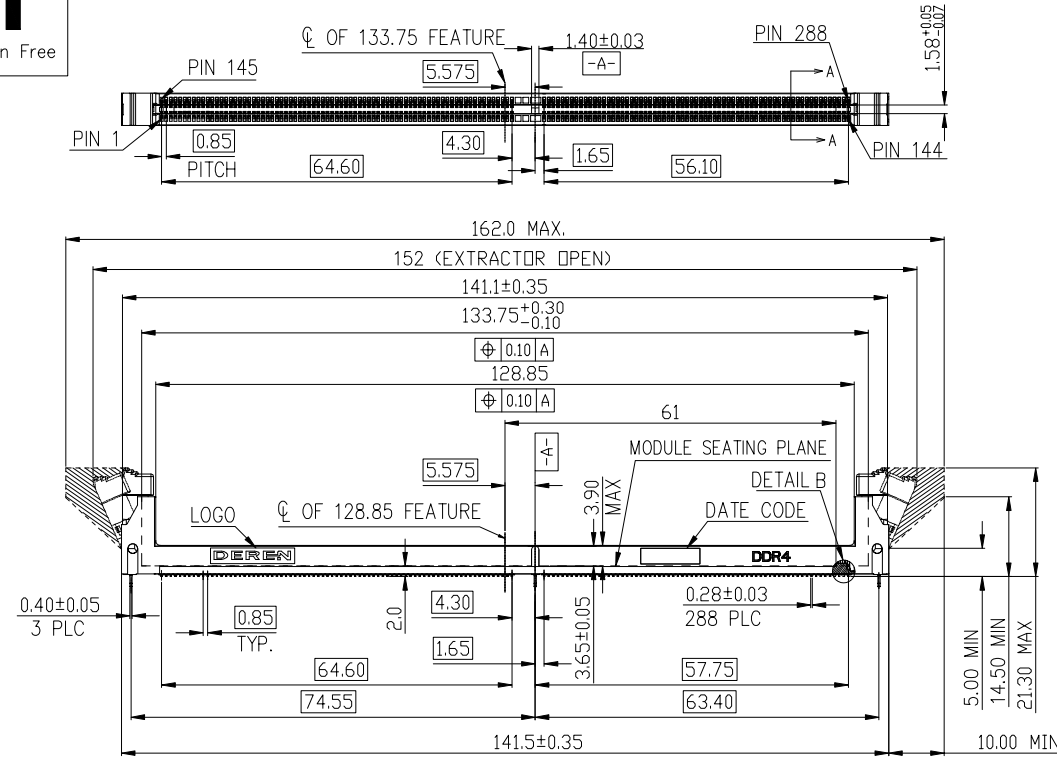
HF

Halogen Free

REV.	ECN NO.	LOCATION	DESCRIPTION	DATE	DESIGN
A				11/07'19	Wanglie
B			UPDATE	05/06'20	Cay Zhao
C			IMPORVE SHARP EXTRACTOR	09/08'20	Cay Zhao

NOTES:

- PRODUCT MUST MEET CONTROLLED SUBSTANCES SPEC. ROHS 2.0
- 1. MATERIAL:
 - 1.1 HOUSING: NYLON , UL94V-0; COLOR: SEE TABLE.
 - 1.2 EXTRACTOR: NYLON ,UL94V-0;COLOR: SEE TABLE.
 - 1.3 CONTACT: COPPER ALLOY .
 - 1.4 FORK LOCK: STAINLESS STEEL.
- 2. FINISH:
 - 2.1 CONTACT:
 - GOLD PLATING(SEE TABLE.) ON CONTACT AREA.
 - 2.0um[80u"] MIN. MATTE-TIN PALTING ON SOLDER TAIL AREA.
 - 2.25um[90u"] MIN. NICKEL ON CONTACT AREA,
 - 1.27um[50u"] MIN. NICKEL ON OTHER AREA
 - 2.2 FORK LOCK:
 - MATTE TIN PALTING 80u"Min ON SOLDER TAIL AREA.
 - 50u" MIN. NICKEL UNDERPLATING OVERALL.
- 3. REFLOW SOLDER CAPABLE TO 260°C MAX. 10S.



RECOMMENDED PCB LAYOUT&THICKNESS(CONNECTOR SIDE)(TOL:±0.05mm)

DIM	TOL	DIM	TOL
x.	±0.35	x.	±2'
.x	±0.25	.x	±1'
.xx	±0.20		
.xxx	±0.15		



DEREN		SHENZHEN DEREN ELECTRONIC CO., LTD	
CUSTOMER DRAWING	DATE	TITLE: DDR4 288P SMT SMALL EAR TYPE	
DESIGN: Cay Zhao	09/08'20	P/N: SEE TABLE	
CHECK: Bill Lin	09/08'20	SHEET: 1/4	
APPROVAL: Smark Huo	09/08'20	SCALE: 1:1	UNIT: mm

DRAW NO. SC2006514

REV. C

HF

Halogen Free

REV.	ECN NO.	LOCATION	DESCRIPTION	DATE	DESIGN
A				11/07'19	Wanglie
B			UPDATE	05/06'20	Cay Zhao
C			IMPORVE SHARP EXTRACTOR	09/08'20	Cay Zhao

TABLE 1:

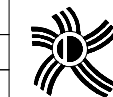
PART NUMBER	PLATING	HOUSING COLOR	EXTRACTOR COLOR	FORK LOCK TYPE
568Q08-018H	Au30u"	WHITE	BLACK	3PCS SOLDER TAB
568Q08-020H	Au30u"	WHITE		3PCS BOARD LOCK
568Q08-015H	Au30u"	BLACK		3PCS SOLDER TAB
568Q08-017H	Au30u"	BLACK		3PCS BOARD LOCK
568Q08-022H	Au15u"	WHITE		3PCS SOLDER TAB
568Q08-024H	Au15u"	WHITE		3PCS BOARD LOCK
568Q08-011H	Au15u"	BLACK		3PCS SOLDER TAB
568Q08-013H	Au15u"	BLACK		3PCS BOARD LOCK
568Q08-001H	GF	WHITE		3PCS SOLDER TAB
568Q08-004H	GF	WHITE		3PCS BOARD LOCK
568Q08-007H	GF	BLACK	3PCS SOLDER TAB	
568Q08-009H	GF	BLACK	3PCS BOARD LOCK	
568Q08-014H	Au30u"	WHITE	WHITE	3PCS SOLDER TAB
568Q08-016H	Au30u"	WHITE		3PCS BOARD LOCK
568Q08-019H	Au30u"	BLACK		3PCS SOLDER TAB
568Q08-021H	Au30u"	BLACK		3PCS BOARD LOCK
568Q08-010H	Au15u"	WHITE		3PCS SOLDER TAB
568Q08-012H	Au15u"	WHITE		3PCS BOARD LOCK
568Q08-023H	Au15u"	BLACK		3PCS SOLDER TAB
568Q08-002H	Au15u"	BLACK		3PCS BOARD LOCK
568Q08-006H	GF	WHITE		3PCS SOLDER TAB
568Q08-008H	GF	WHITE		3PCS BOARD LOCK
568Q08-003H	GF	BLACK	3PCS SOLDER TAB	
568Q08-005H	GF	BLACK	3PCS BOARD LOCK	

TABLE 2:

PART NUMBER	PLATING	HOUSING COLOR	EXTRACTOR COLOR	FORK LOCK TYPE
568Q08-043H	Au30u"	YELLOW 107C	WHITE	3PCS SOLDER TAB
568Q08-025H	Au30u"		WHITE	3PCS BOARD LOCK
568Q08-052H	Au30u"		YELLOW 107C	3PCS SOLDER TAB
568Q08-034H	Au30u"		YELLOW 107C	3PCS BOARD LOCK
568Q08-044H	Au15u"		WHITE	3PCS SOLDER TAB
568Q08-026H	Au15u"		WHITE	3PCS BOARD LOCK
568Q08-053H	Au15u"		YELLOW 107C	3PCS SOLDER TAB
568Q08-035H	Au15u"		YELLOW 107C	3PCS BOARD LOCK
568Q08-045H	GF		WHITE	3PCS SOLDER TAB
568Q08-027H	GF		WHITE	3PCS BOARD LOCK
568Q08-054H	GF	YELLOW 107C	3PCS SOLDER TAB	
568Q08-036H	GF	YELLOW 107C	3PCS BOARD LOCK	
568Q08-049H	Au30u"	GREEN 375C	WHITE	3PCS SOLDER TAB
568Q08-031H	Au30u"		WHITE	3PCS BOARD LOCK
568Q08-058H	Au30u"		GREEN 375C	3PCS SOLDER TAB
568Q08-040H	Au30u"		GREEN 375C	3PCS BOARD LOCK
568Q08-050H	Au15u"		WHITE	3PCS SOLDER TAB
568Q08-032H	Au15u"		WHITE	3PCS BOARD LOCK
568Q08-059H	Au15u"		GREEN 375C	3PCS SOLDER TAB
568Q08-041H	Au15u"		GREEN 375C	3PCS BOARD LOCK
568Q08-051H	GF		WHITE	3PCS SOLDER TAB
568Q08-033H	GF		WHITE	3PCS BOARD LOCK
568Q08-060H	GF	GREEN 375C	3PCS SOLDER TAB	
568Q08-042H	GF	GREEN 375C	3PCS BOARD LOCK	

TABLE 3:

PART NUMBER	PLATING	HOUSING COLOR	EXTRACTOR COLOR	FORK LOCK TYPE
568Q08-046H	Au30u"	BLUE 2935U	WHITE	3PCS SOLDER TAB
568Q08-028H	Au30u"		WHITE	3PCS BOARD LOCK
568Q08-055H	Au30u"		BLUE 2935U	3PCS SOLDER TAB
568Q08-037H	Au30u"		BLUE 2935U	3PCS BOARD LOCK
568Q08-047H	Au15u"		WHITE	3PCS SOLDER TAB
568Q08-029H	Au15u"		WHITE	3PCS BOARD LOCK
568Q08-056H	Au15u"		BLUE 2935U	3PCS SOLDER TAB
568Q08-038H	Au15u"		BLUE 2935U	3PCS BOARD LOCK
568Q08-048H	GF		WHITE	3PCS SOLDER TAB
568Q08-030H	GF		WHITE	3PCS BOARD LOCK
568Q08-057H	GF	BLUE 2935U	3PCS SOLDER TAB	
568Q08-039H	GF	BLUE 2935U	3PCS BOARD LOCK	
568Q08-061H	Au30u"	BLUE 2935U	BLACK	3PCS SOLDER TAB
568Q08-064H	Au30u"		BLACK	3PCS BOARD LOCK
568Q08-062H	Au15u"		BLACK	3PCS SOLDER TAB
568Q08-065H	Au15u"		BLACK	3PCS BOARD LOCK
568Q08-063H	GF		BLACK	3PCS SOLDER TAB
568Q08-066H	GF		BLACK	3PCS BOARD LOCK



DEREN
SHENZHEN DEREN ELECTRONIC CO., LTD

DIM	TOL	DIM	TOL
x.	±0.35	x.	±2'
.x	±0.25	.x	±1'
.xx	±0.20		
.xxx	±0.15		

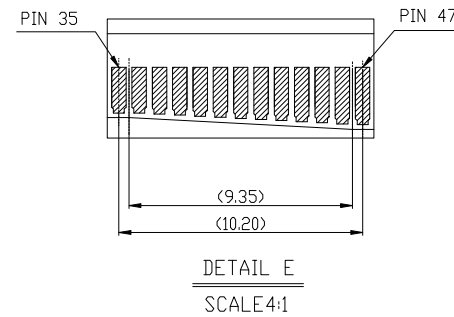
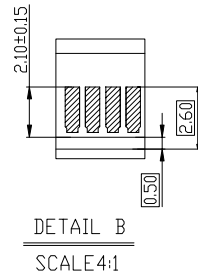
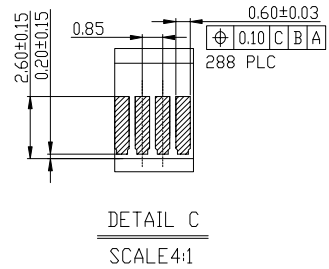
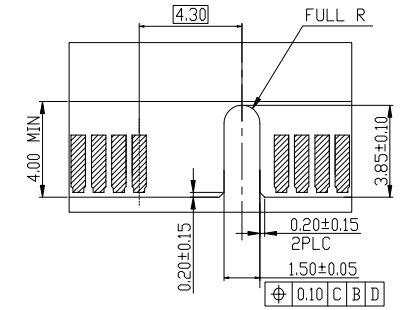
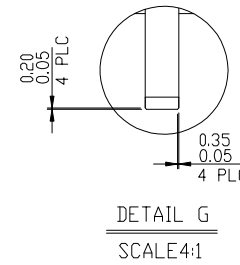
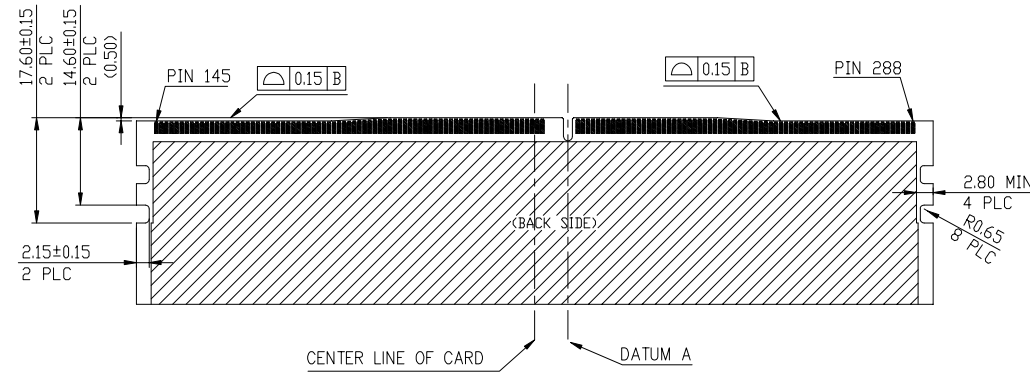
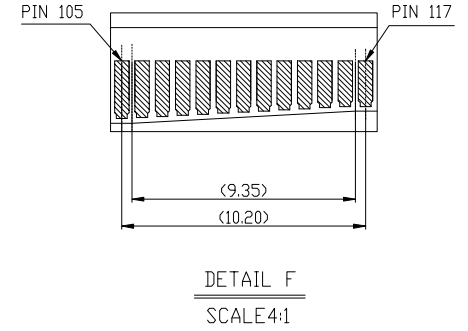
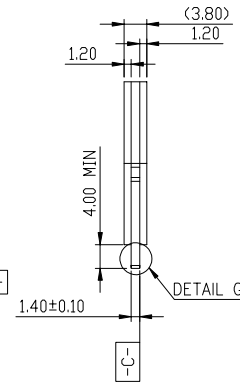
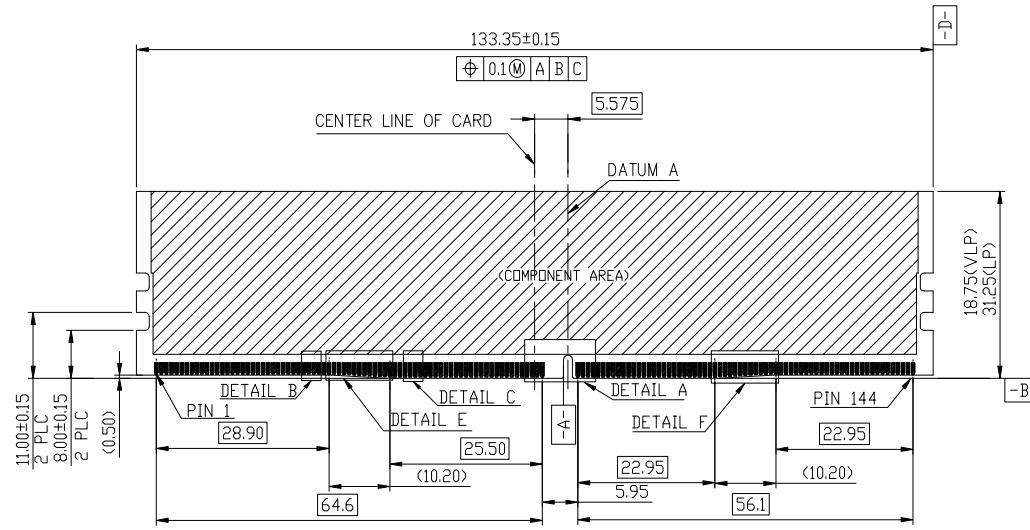
DRAW NO.
SC2006514

CUSTOMER DRAWING	DATE
DESIGN: Cay Zhao	09/08'20
CHECK: Bill Lin	09/08'20
APPROVAL: Smark Huo	09/08'20

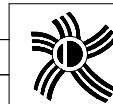
TITLE: DDR4 288P SMT SMALL EAR TYPE	
P/N: SEE TABLE	
SHEET: 2/4	
SCALE: 1:1	UNIT: mm

HF
Halogen Free

REV.	ECN NO.	LOCATION	DESCRIPTION	DATE	DESIGN
A				11/07'19	Wanglie
B			UPDATE	05/06'20	Cay Zhao
C			IMPROVE SHARP EXTRACTOR	09/08'20	Cay Zhao



DIM	TOL	DIM	TOL
x.	±0.35	x.	±2'
.x	±0.25	.x	±1'
.xx	±0.20		
.xxx	±0.15		

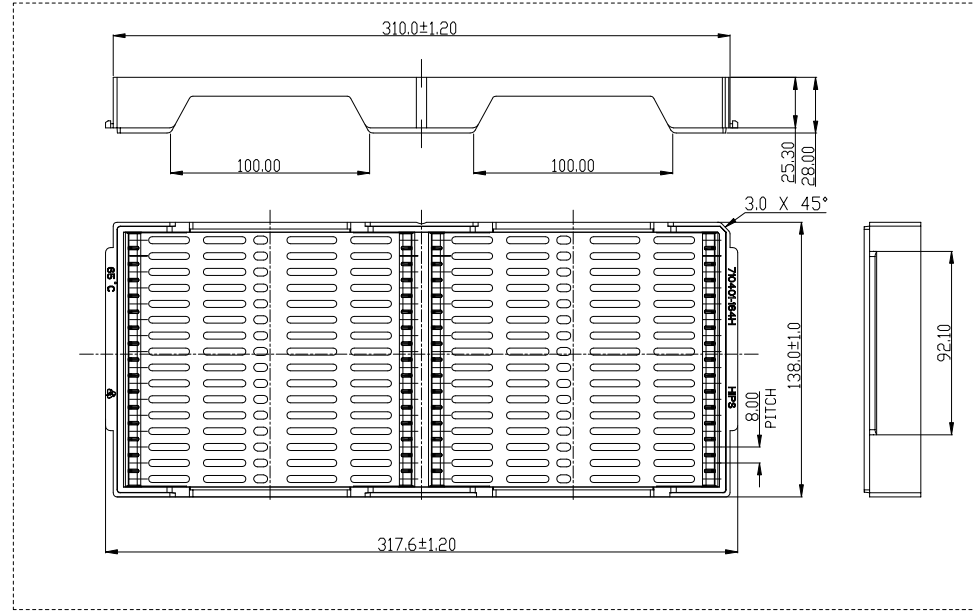
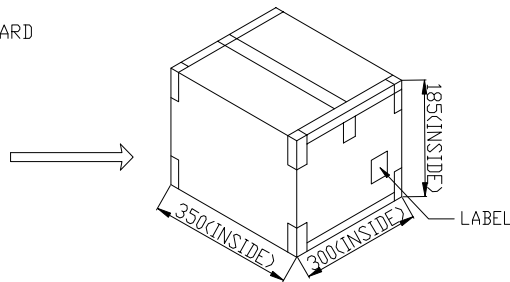
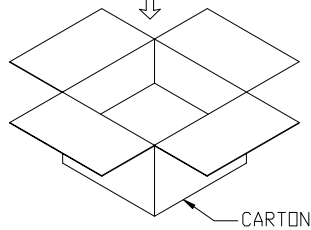
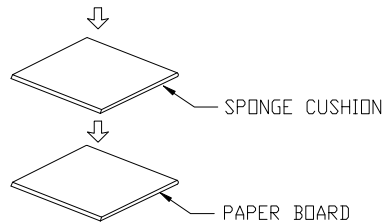
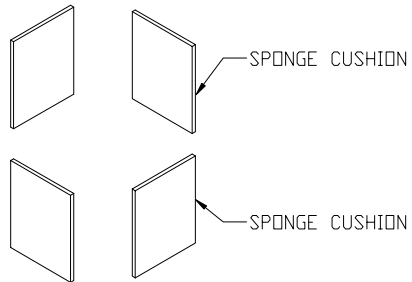
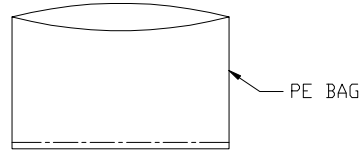
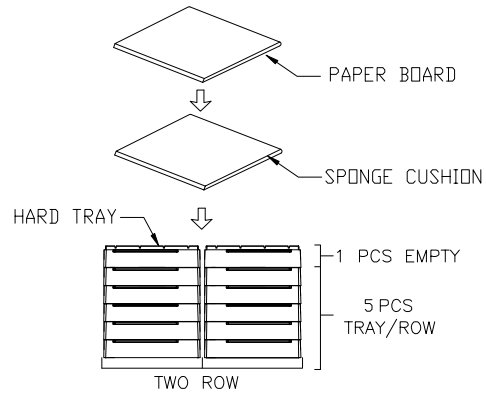


DEREN
SHENZHEN DEREN ELECTRONIC CO., LTD

CUSTOMER DRAWING		DATE		TITLE: DDR4 288P SMT SMALL EAR TYPE	
DESIGN:	Cay Zhao	09/08'20		P/N: SEE TABLE	
CHECK:	Bill Lin	09/08'20		SHEET: 3/4	UNIT: mm
APPROVAL:	Smak Huo	09/08'20		SCALE: 1:1	

DRAW NO.
SC2006514
REV. C

REV.	ECN NO.	LOCATION	DESCRIPTION	DATE	DESIGN
A				11/07'19	Wanglie
B			UPDATE	05/06'20	Cay Zhao
C			IMPORVE SHARP EXTRACTOR	09/08'20	Cay Zhao



HARD TRAY VIEW

4.35kg	1.86kg	32	10	320
GROSS WEIGHT	NET WEIGHT	PCS/ TRAY	TRAY/ BOX	PCS/ BOX

DIM	TOL	DIM	TOL
.X	±1.00	.X	
.X	±0.50	.X	
.XX	±0.35		



DEREN
SHENZHEN DEREN ELECTRONIC CO., LTD

DRAW NO.
SC2006514

REV. C

CUSTOMER DRAWING	DATE
DESIGN: Cay Zhao	09/08'20
CHECK: Bill Lin	09/08'20
APPROVAL: Smark Huo	09/08'20

TITLE: DDR4 288P SMT SMALL EAR TYPE	
P/N: SEE TABLE	
SHEET: 4/4	☉
SCALE: 1:1	UNIT: mm