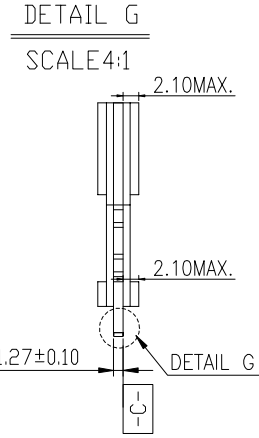
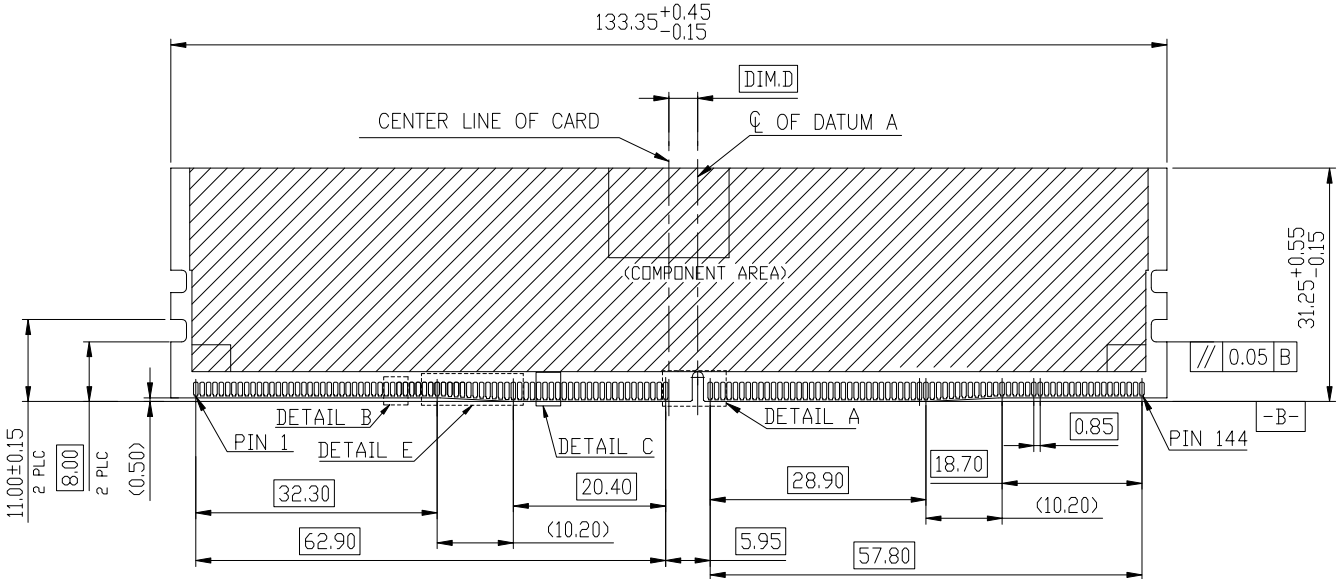
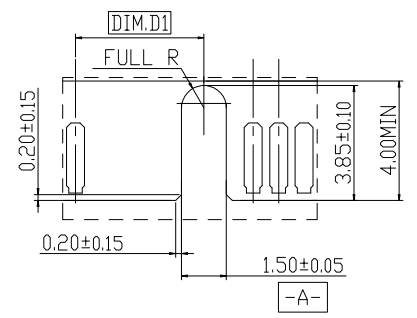
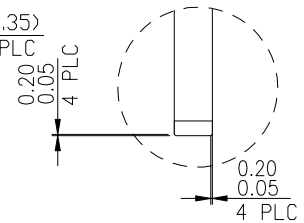
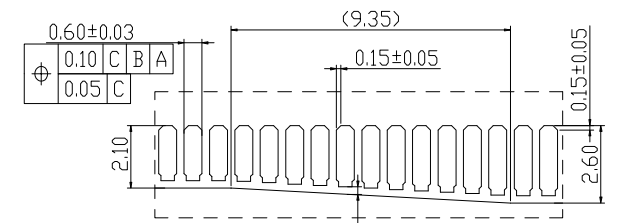
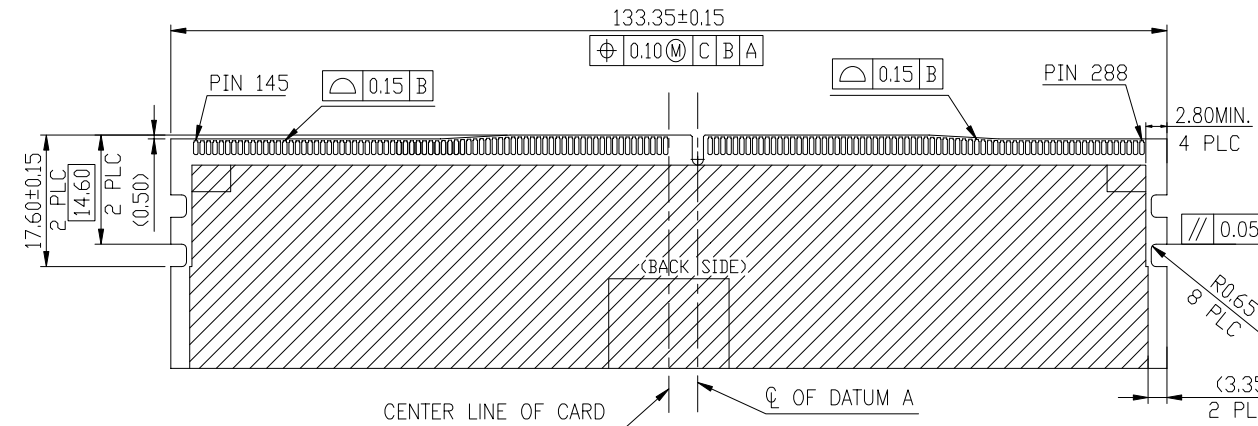


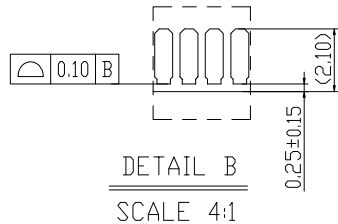
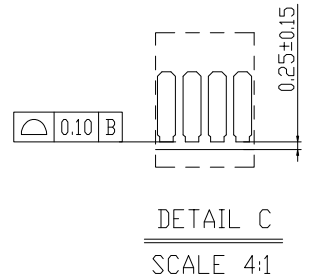


REV.	ECN NO.	LOCATION	DESCRIPTION	DATE	DESIGN
A			INITIAL RELEASE	1/28'21	zc.xie
B			UPDATE	6/22'21	zc.xie
C			IMPROVE SHOCK TEST	12/13'21	zc.xie



DETAIL A  
SCALE 4:1

DIMM TYPE	DIM.D	DIM.D1	DIM.E	DIM.F
RDIMM	3.875	4.30	72.85	65.10
UDIMM	1.425	1.85	70.40	67.55



DIM	TOL	DIM	TOL
x.	±0.35	x.	±2'
.x	±0.25	.x	±1'
.xx	±0.20		
.xxx	±0.15		

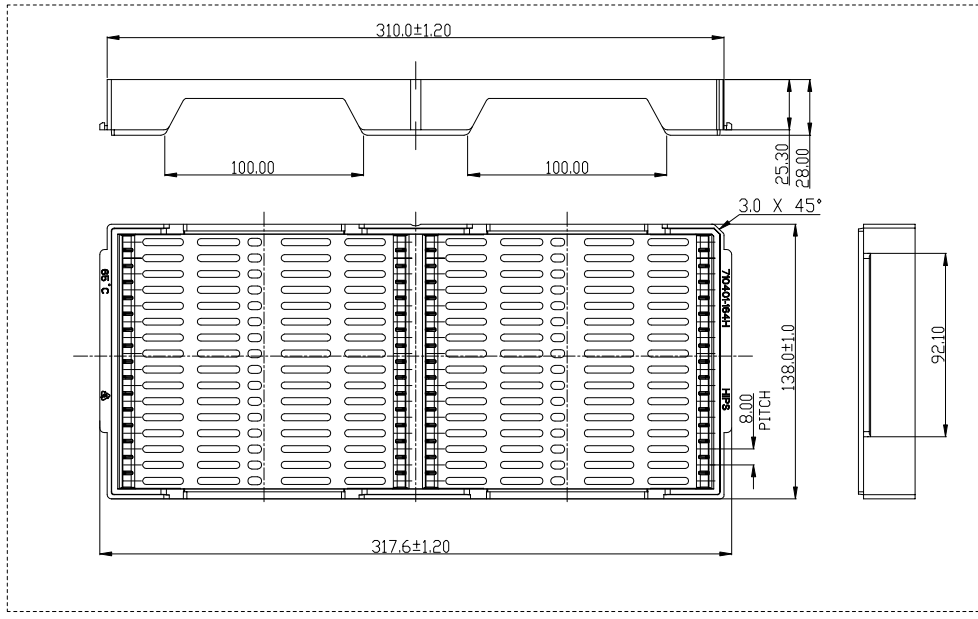
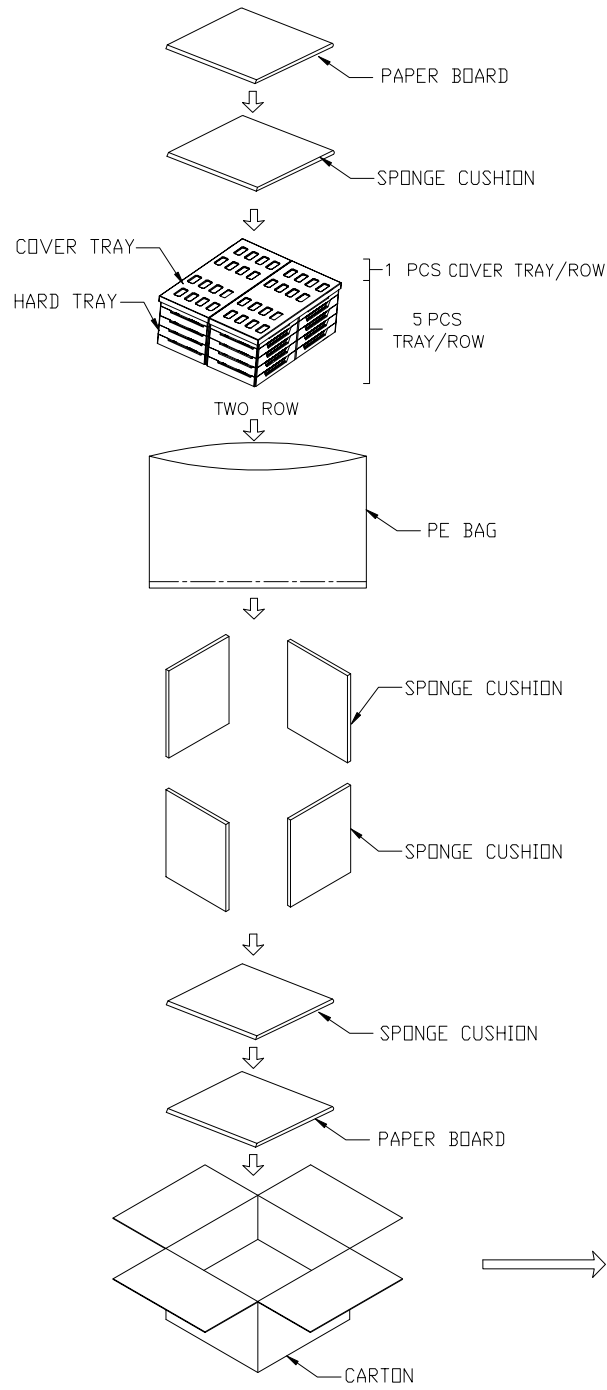


**DEREN**  
SHENZHEN DEREN ELECTRONIC CO., LTD

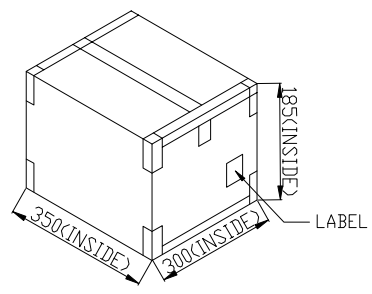
CUSTOMER DRAWING	DATE	TITLE: DDR5 288PIN SMT BIG EXTRACTOR WITH METAL SHEET
DESIGN: Cay Zhao	10/19'20	P/N: SEE P/N INFORMATION
CHECK: Bill Lin	10/19'20	SHEET: 2/3
APPROVAL: Smark Huo	10/19'20	SCALE: 1:1 UNIT: mm

DRAW NO. SC2006517  
REV. C

REV.	ECN NO.	LOCATION	DESCRIPTION	DATE	DESIGN
A			INITIAL RELEASE	1/28'21	zc.xie
B			UPDATE	6/22'21	zc.xie
C			IMPROVE SHOCK TEST	12/13'21	zc.xie



HARD TRAY VIEW



4.35kg	1.86kg	32	10	320
GROSS WEIGHT	NET WEIGHT	PCS/ TRAY	TRAY/ BOX	PCS/ BOX

DIM	TOL	DIM	TOL
.X	±1.00	.X	
.X	±0.50	.X	
.XX	±0.35		



**DEREN**  
SHENZHEN DEREN ELECTRONIC CO., LTD

DRAW NO. SC2006517	DESIGN:	Cay Zhao	10/19'20	TITLE: DDR5 288PIN SMT BIG EXTRACTOR WITH METAL SHEET
	CHECK:	Bill Lin	10/19'20	
REV. C	APPROVAL:	Smak Huo	10/19'20	SHEET: 3/3
				SCALE: 1:1
				UNIT: mm