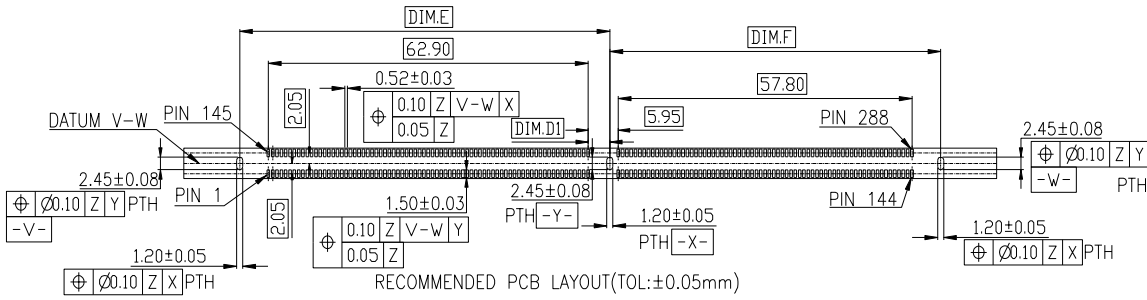
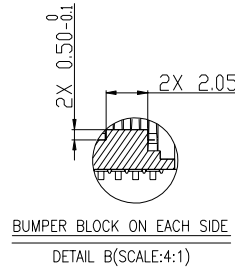
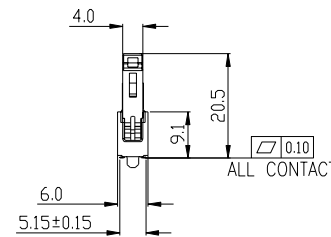
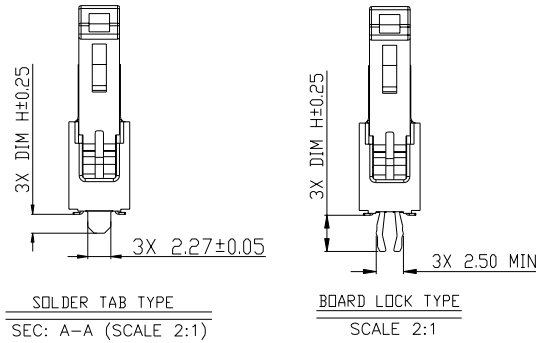
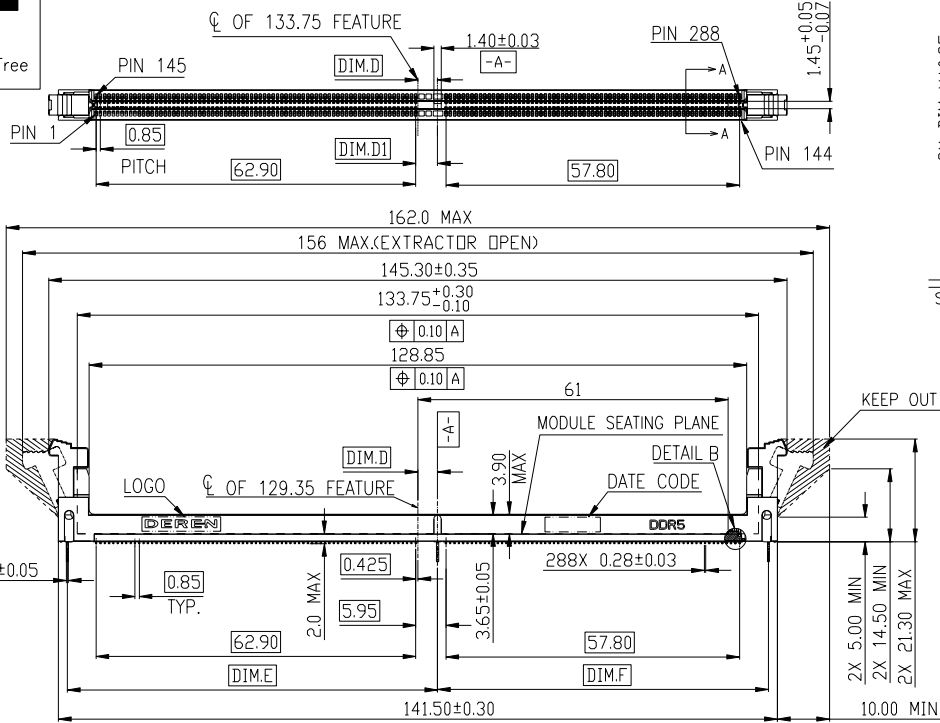
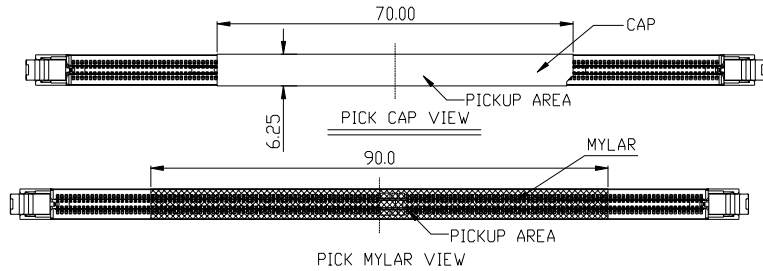


**HF**  
Halogen Free



NOTES:  
Recommended stencil thickness no less than 0.15mm



REV	ECN NO.	LOCATION	DESCRIPTION	DATE	DESIGN
A			UPDATE	1/28'21	ZC.Xie

- NOTES:
- PRODUCT MUST MEET CONTROLLED SUBSTANCES SPEC. ROHS 2.0
1. MATERIAL:
- 1.1 HOUSING: NYLON ,UL94V-0; COLOR: SEE P/N INFORMATION.
  - 1.2 EXTRACTOR: NYLON ,UL94V-0; COLOR: SEE P/N INFORMATION.
  - 1.3 CONTACT: COPPER ALLOY .
  - 1.4 FORK LOCK: STAINLESS STEEL.
2. FINISH:
- 2.1 CONTACT:
- GOLD PLATING(SEE SEE P/N INFORMATION.) ON CONTACT AREA.
  - 2.0um[80u"] MIN. MATTE-TIN PALTING ON SOLDER TAIL AREA.
  - 2.25um[90u"] MIN. NICKEL ON CONTACT AREA,
  - 1.27um[50u"] MIN. NICKEL ON OTHER AREA.
- 2.2 FORK LOCK:
- MATTE TIN PALTING 80u"Min ON SOLDER TAIL AREA.
  - 50u" MIN. NICKEL UNDERPLATING OVERALL.
3. REFLOW SOLDER CAPABLE TO 260°C MAX. 10S.
4. MECHANICAL SPECIFICATION:
- MATING FORCE: 106.8N MAX.
- UNMATING FORCE: 19.77N MINIMUM
- DURABILITY: 25 MATING AND UNMATING CYCLES
5. ELECTRICAL SPECIFICATION
- CONTACT RESISTANCE: INITIAL:40 MILLIOHMS MAX.,
- CONTACT RESISTANCE: FINAL: CHANGE 20 MILLIOHMS MAX..
- CURRENT RATING: 0.75AMPS MAX.
- INSULATION RESISTANCE: 1 MEGOHMS MIN. AT 500VAC
- DIELECTRIC WITHSTAND VOLTAGE: 500VAC MIN. FOR ONE MINUTE.
6. ENVIRONMENT SPECIFICATION
- OPERATING TEMPERATURE: -55°C TO +85°C.
- SOLDERABILITY: PASSED PER EIA-364-52, CLASS 2, CATEGORY 3.
- VIBRATION: PASSED PER EIA-364-28.
- HUMIDITY: PASSED PER EIA-364-31.
- THERMAL SHOCK: PASSED PER EIA-364-32.
- MECHANICAL SHOCK: PASSED PER EIA-364-27.
7. PART NUMBER INFORMATION:
- 568QD1-005 H X X X X X
- GREEN CODE:
- H: HALOGEN FREE
- PLATING CODE:
- 1:GOLD FLASH
  - 2:GOLD 15u"
  - 3:GOLD 30u"
- HOUSING COLOR CODE:
- 1: BLACK
  - 2: WHITE
  - 3: BLUE
- EXTRACTOR COLOR CODE:
- 1: BLACK
  - 2: WHITE
  - 3: BLUE
- PACKAGE & PICKUP CODE:
- 1: HARD TRAY PACKING,WITH CAP
  - 2: HARD TRAY PACKING,WITHOUT CAP
  - 3: HARD TRAY PACKING, WITH MYLAR
- FORK LOCK & DIMM TYPE CODE:
- 1: SOLDER TAB DIM.H=2.0mm, RDIMM
  - 2: BOARD LOCK DIM.H=3.25mm, RDIMM
  - 3: SOLDER TAB DIM.H=2.0mm, UDIMM
  - 4: BOARD LOCK DIM.H=3.25mm, UDIMM
  - 5: SOLDER TAB DIM.H=2.6mm, RDIMM
  - 6: SOLDER TAB DIM.H=2.6mm, UDIMM

DIMM TYPE	DIM.D	DIM.D1	DIM.E	DIM.F
RDIMM	3.875	4.30	72.85	65.10
UDIMM	1.425	1.85	70.40	67.55



**DEREN**  
SHENZHEN DEREN ELECTRONIC CO., LTD

DIM	TOL	DIM	TOL
x.	±0.35	x.	±2*
.x	±0.25	.x	±1*
.xx	±0.20		
.xxx	±0.15		

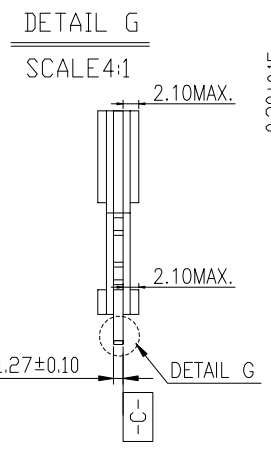
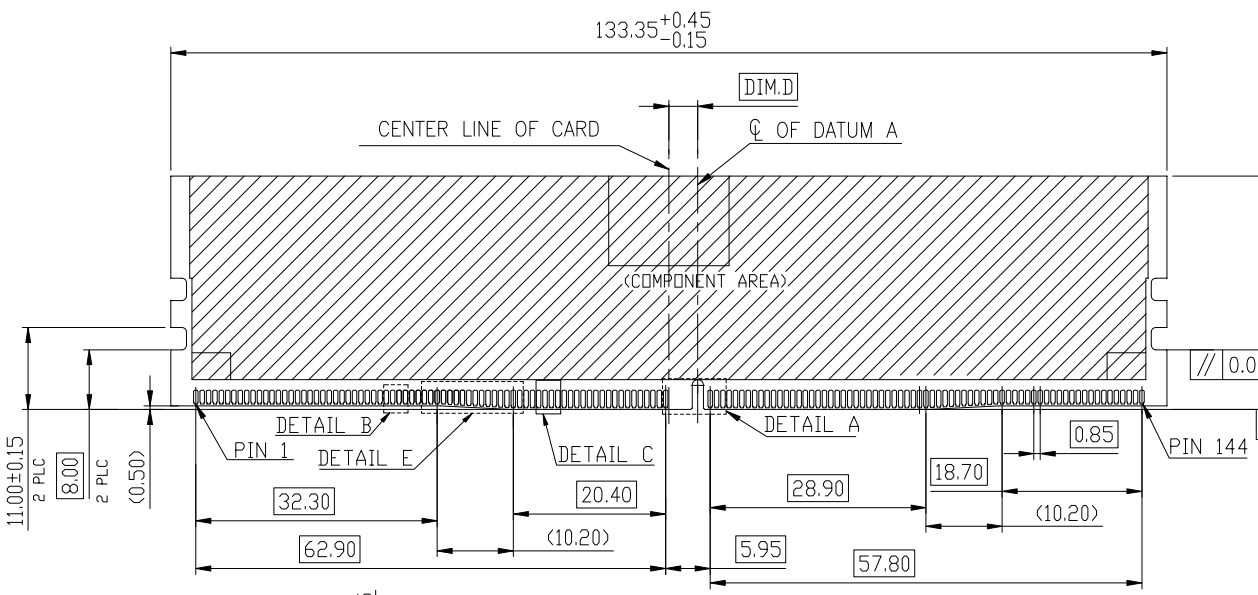
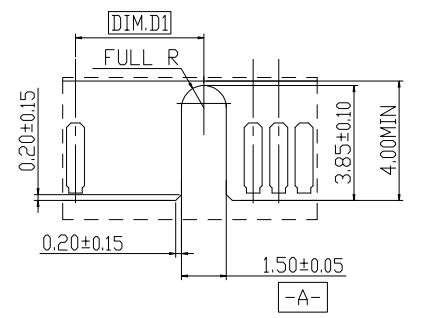
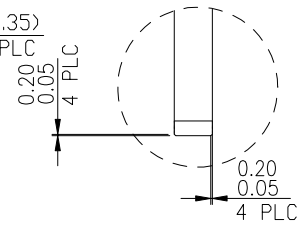
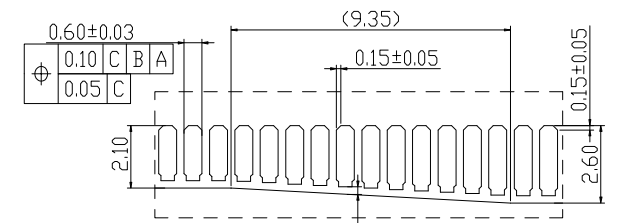
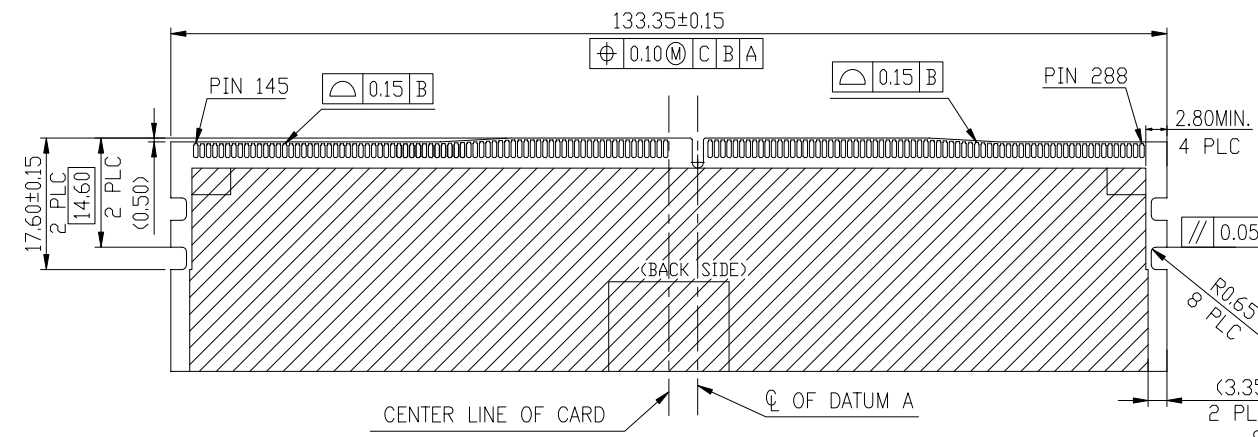
DRAW NO.  
SC2006320

REV. A

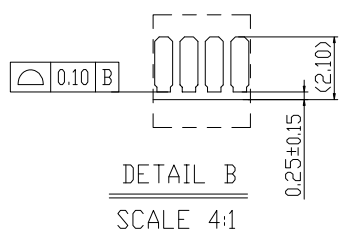
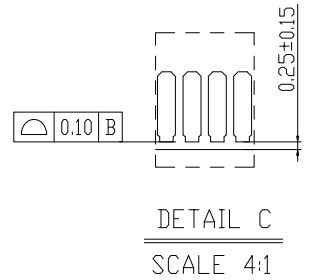
CUSTOMER DRAWING	DATE
DESIGN: Coy Zhao	08/14'20
CHECK: Bill Lin	08/14'20
APPROVAL: Smark Huo	08/14'20

TITLE: DDR5 288P NARROW EXTRACTOR
P/N:SEE P/N INFORMATION
SHEET: 1/3
SCALE: 1:1 UNIT: mm

REV.	ECN NO.	LOCATION	DESCRIPTION	DATE	DESIGN
A			UPDATE	1/28'21	ZC.Xie



DIMM TYPE	DIM.D	DIM.D1	DIM.E	DIM.F
RDIMM	3.875	4.30	72.85	65.10
UDIMM	1.425	1.85	70.40	67.55



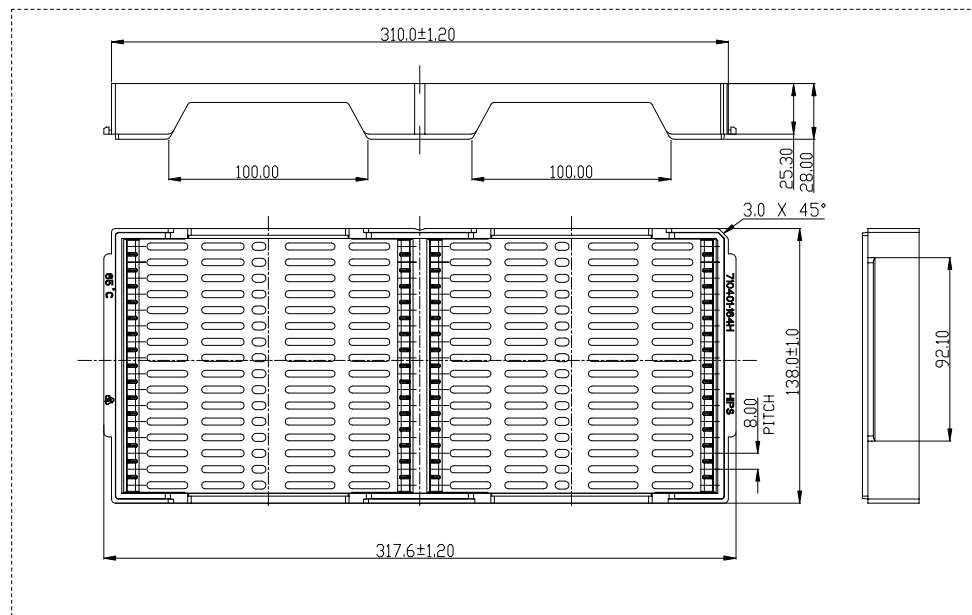
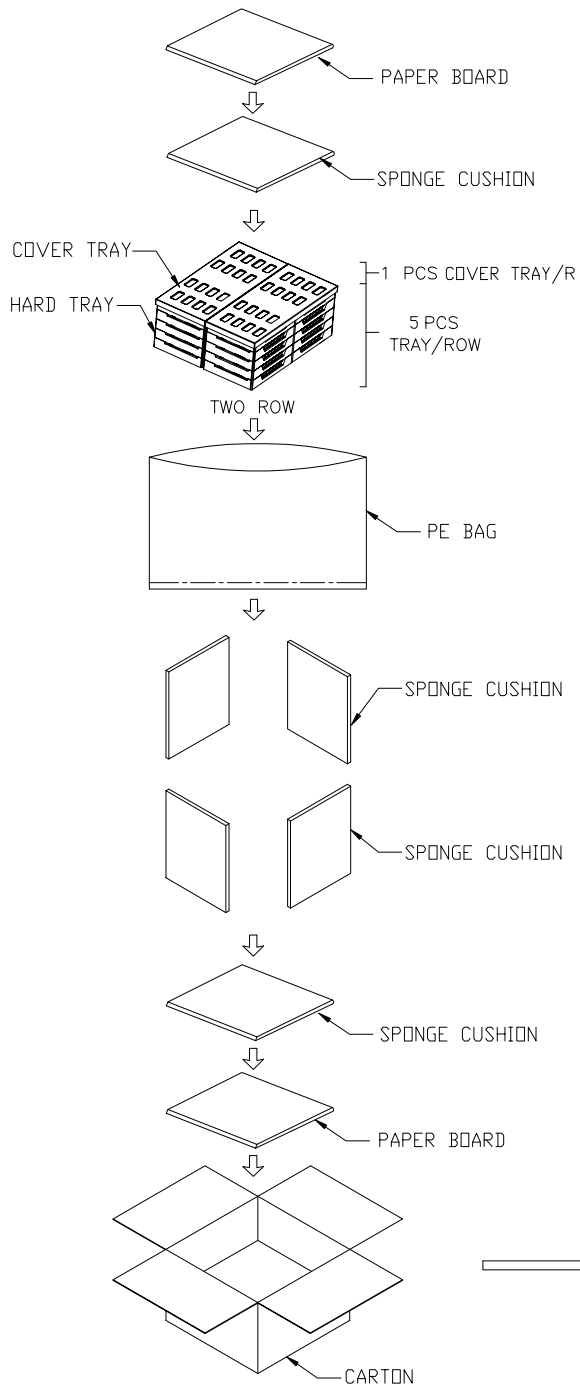
DIM	TOL	DIM	TOL
.x	±0.35	.x	±2'
.x	±0.25	.x	±1'
.xx	±0.20		
.xxx	±0.15		



**DEREN**  
SHENZHEN DEREN ELECTRONIC CO., LTD

CUSTOMER DRAWING	DATE	TITLE: DDR5 288P NARROW EXTRACTOR
DESIGN: Cay Zhao	08/14'20	P/N: SEE P/N INFORMATION
CHECK: Bill Lin	08/14'20	SHEET: 2/3
APPROVAL: Smark Huo	08/14'20	SCALE: 1:1
REV. A		UNIT: mm

REV.	ECN NO.	LOCATION	DESCRIPTION	DATE	DESIGN
A			UPDATE	1/28'21	ZC.Xie



HARD TRAY VIEW

4.52kg	2.03kg	32	10	320
GROSS WEIGHT	NET WEIGHT	PCS/ TRAY	TRAY/ BOX	PCS/ BOX

DIM	TOL	DIM	TOL
X.	±1.00	X.	
.X	±0.50	.X	
.XX	±0.35		



**DEREN**  
SHENZHEN DEREN ELECTRONIC CO., LTD

DRAW NO.  
SC2006320

CUSTOMER	DRAWING	DATE
DESIGN:	Cay Zhao	08/14'20
CHECK:	Bill Lin	08/14'20
APPROVAL:	Bill Lin	08/14'20

TITLE: DDR5 288P SMT  
NARROW EXTRACTOR

P/N: SEE P/N INFORMATION

SHEET:	3/3	
SCALE:	1:1	UNIT: mm

