



深圳市得润电子股份有限公司
SHENZHEN DEREN ELECTRONIC CO., LTD.



DEREN

得润电子

PCI E

PRODUCT CATALOG

DATE:2020-08-17

Rev: E

<http://www.deren.com.cn>

E-mail: deren@deren.com.cn

Tel: 0755-33260000

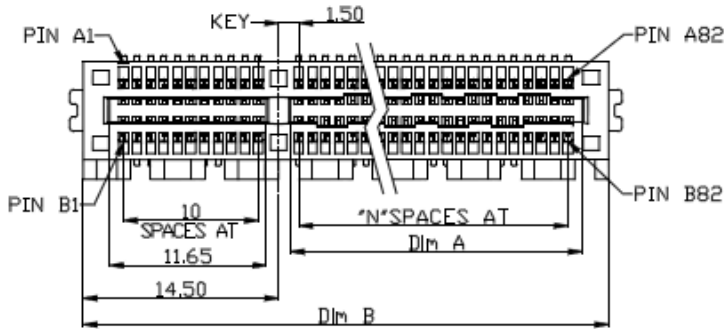


Product contents

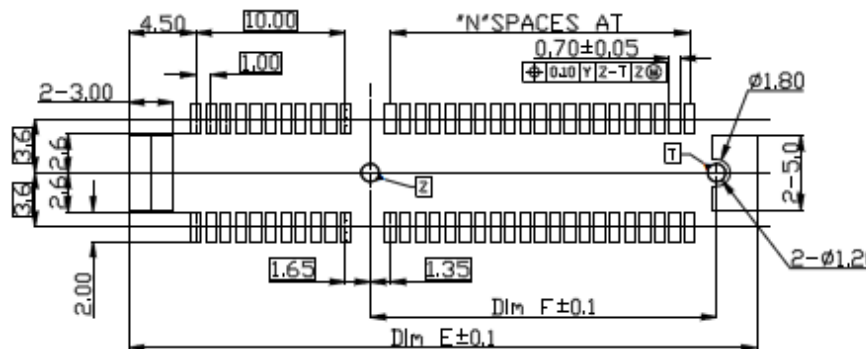
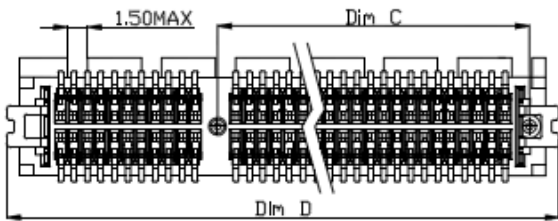
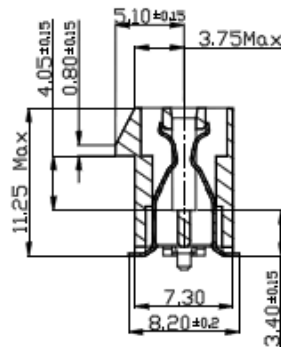
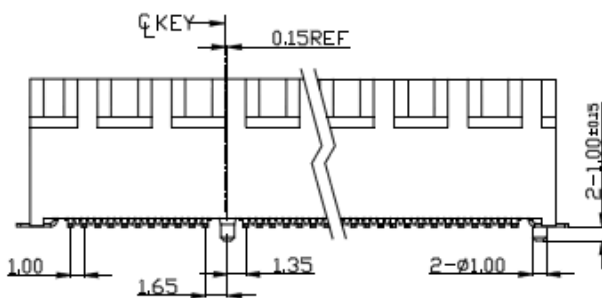
十六、PCI-E

16.1	PCI-E4.0 SMT TYPE-----	16-1
16.2	PCI-E4.0 DIP TYPE-----	16-2
16.3	PCI-E4.0 DIP TYPE侧面有缺口-----	16-3
16.4	PCI-E4.0 DIP TYPE+LATCH -----	16-4
16.5	PCI-E4.0 DIP TYPE柱子1.80-----	16-5
16.6	PCI-E5.0 SMT TYPE-----	16-6

PCI 4.0 SMT TYPE

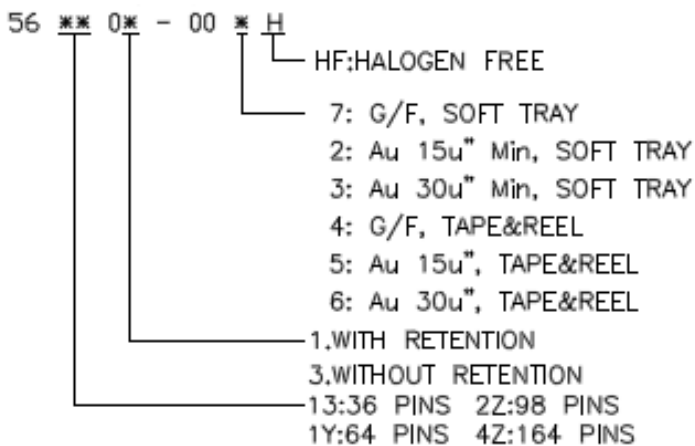


P/N:	#POS REF	N	DIM A	DIM B	DIM C	DIM D
56130*-00*H	36	6	7.65	25.00	9.15	27.00
561Y0*-00*H	64	20	21.65	39.00	23.15	41.00
562Z0*-00*H	98	37	38.65	56.00	40.15	58.00
564Z0*-00*H	164	70	71.65	89.00	73.15	91.00



SOLDER PAD RECOMMEND P.C.B LAYOUT (COMPONENT SIDE)
DEFAULT TOLERANCES: ±0.05; PCB THICKNESS: 1.2mm

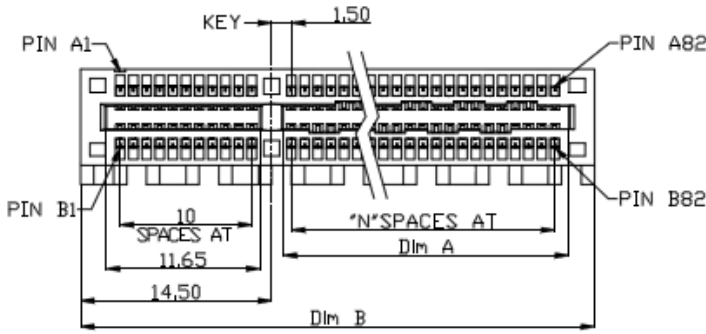
Part Number:



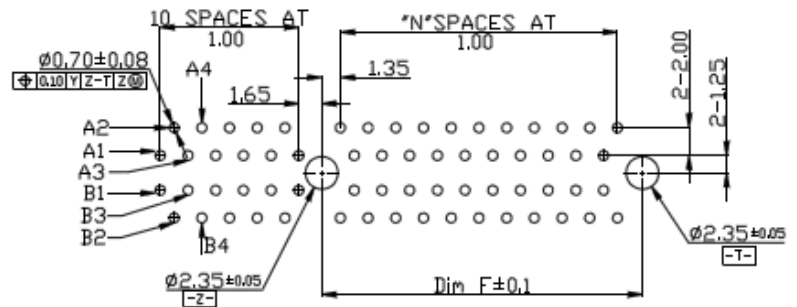
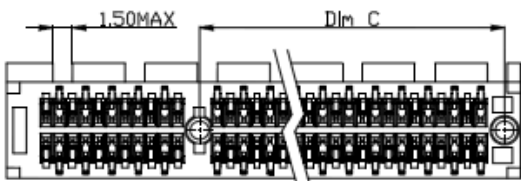
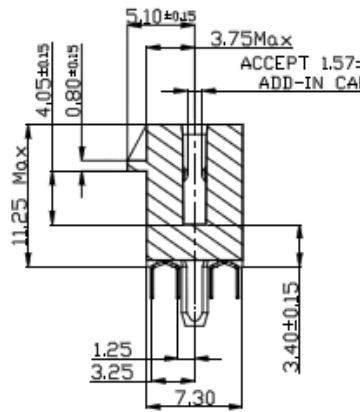
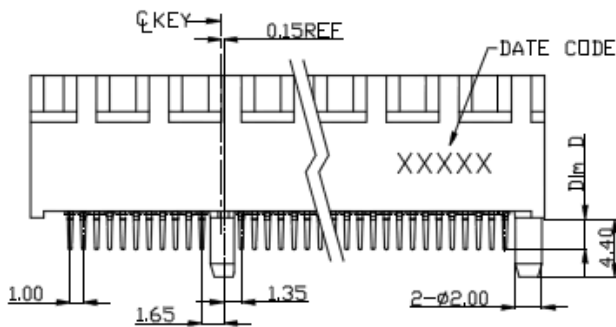
Product Specification:

Insulator: HIGH TEMPERATURE PLASTIC
UL 94V-0, Color: Black
Terminal: Copper alloy
Current Rate: 0.5A
Contact Resistance: 30mΩ
Insulation Resistance: 500MΩ
Dielectric Withstanding Voltage: 500VAC
Operation Temperature: -40°C to +85°C
Duration: 50 Cycles

PCI 4.0 DIP TYPE



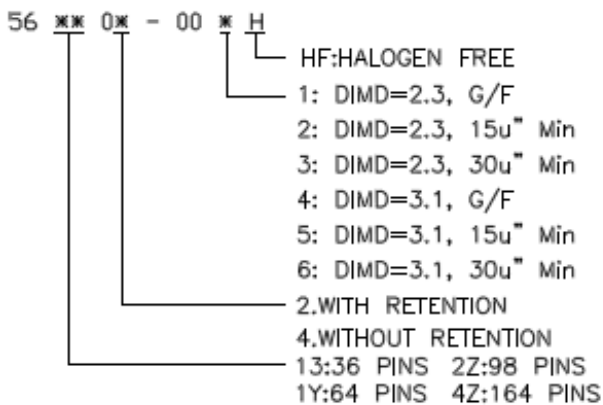
P/N:	#POS REF	N	DIM A	DIM B	DIM C
56130*-00*H	36	6	7.65	25.00	9.15
561Y0*-00*H	64	20	21.65	39.00	23.15
56220*-00*H	98	37	38.65	56.00	40.15
56420*-00*H	164	70	71.65	89.00	73.15



RECOMMENDED P.C.B LAYOUT (COMPONENT SIDE)

DEFAULT TOLERANCES: ±0.05

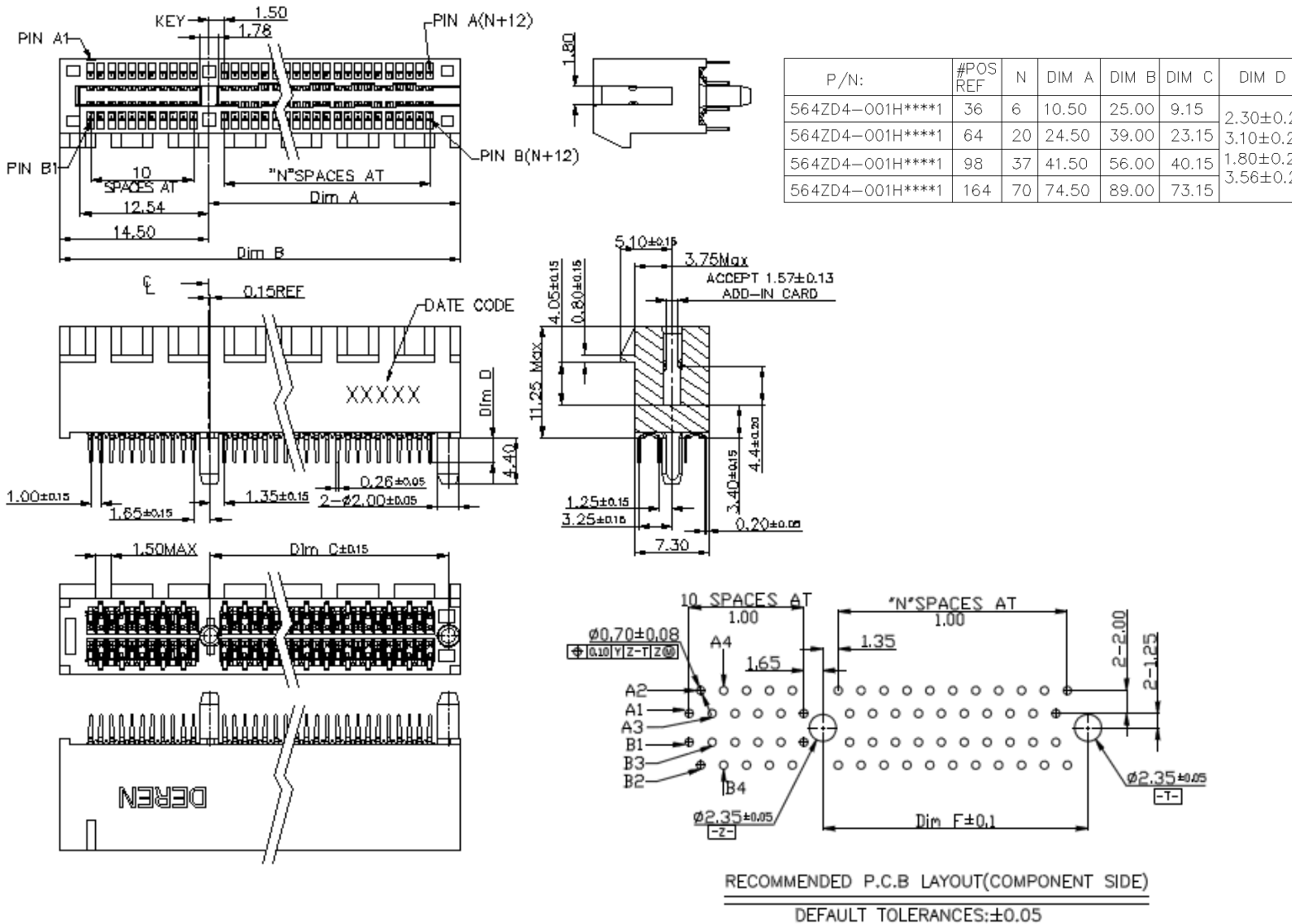
Part Number:



Product Specification:

Insulator: NYLON UL 94V-0, Color: Black
Terminal: Copper alloy
Current Rate: 0.5A
Contact Resistance: 30mΩ
Insulation Resistance: 500MΩ
Dielectric Withstanding Voltage: 500VAC
Operation Temperature: -40°C to +85°C
Duration: 50 Cycles

PCI 4.0 DIP TYPE 侧面有缺口



RECOMMENDED P.C.B LAYOUT (COMPONENT SIDE)

DEFAULT TOLERANCES: ±0.05

Part Number:

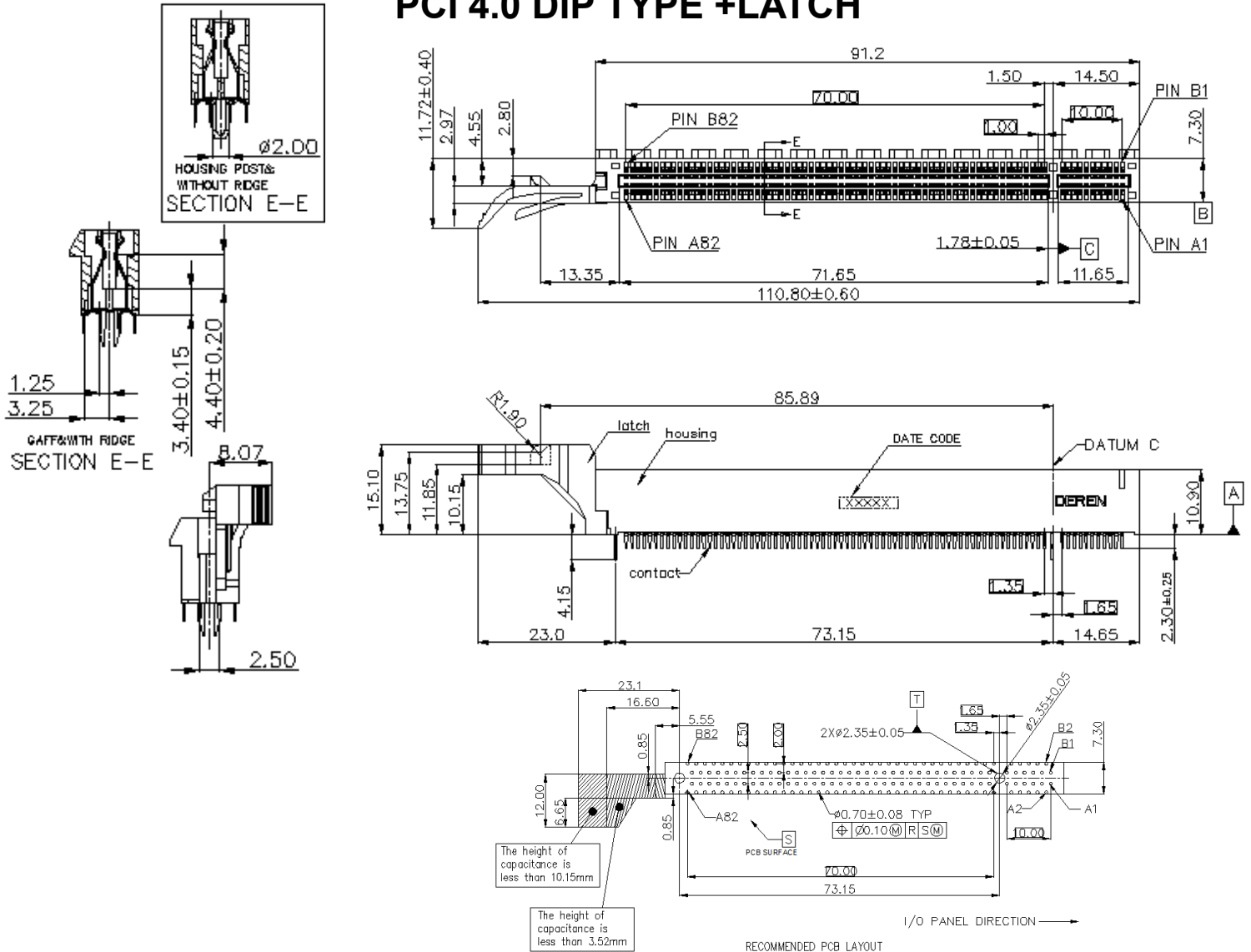
564ZD4 - 0 0 1 H * * * *

- PACKING CODE: 1: TRAY
2: REEL
- HOUSING COLOR: 1: BLACK 2: WHITE 3: BLUE
- TAIL LENGTH CODE: 1: 2.3mm 2: 2.31mm
3: 1.80mm 4: 3.56mm
- RIDGE & POS CODE: 1: 36P & WITH RIDGE
2: 36P & WITHOUT RIDGE
3: 64P & WITH RIDGE
4: 64P & WITHOUT RIDGE
5: 98P & WITH RIDGE
6: 98P & WITHOUT RIDGE
7: 164P & WITH RIDGE
8: 164P & WITHOUT RIDGE
- PLATING CODE: 1: G/F
2: 15u" Min
3: 30u" Min
- HALOGEN CODE: H: HALOGEN FREE

Product Specification:

- Insulator: NYLON UL 94V-0, Color: Black
- Terminal: Copper alloy
- Current Rate: 0.5A
- Contact Resistance: 30mΩ
- Insulation Resistance: 500MΩ
- Dielectric Withstanding Voltage: 500VAC
- Operation Temperature: -40°C to +85°C
- Duration: 50 Cycles

PCI 4.0 DIP TYPE +LATCH



Part Number:

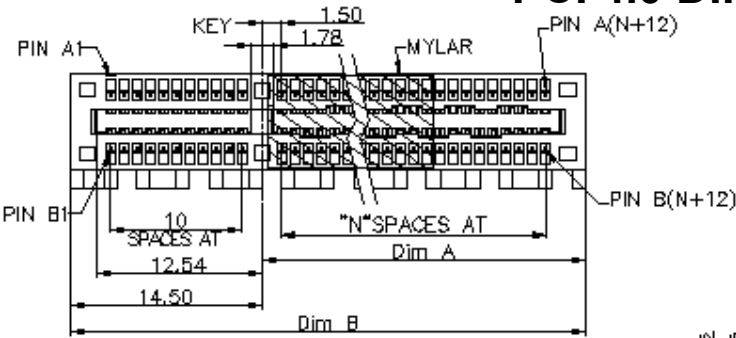
Product Specification:

564ZD4 - 002H * * * * *

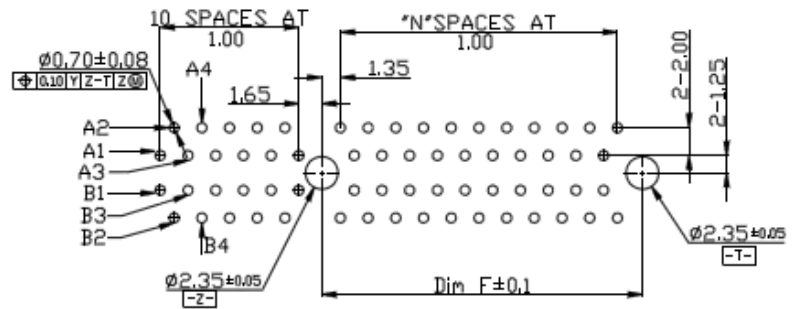
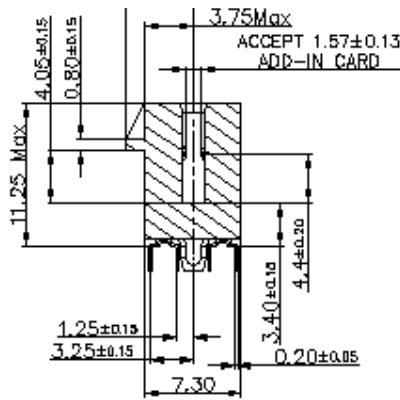
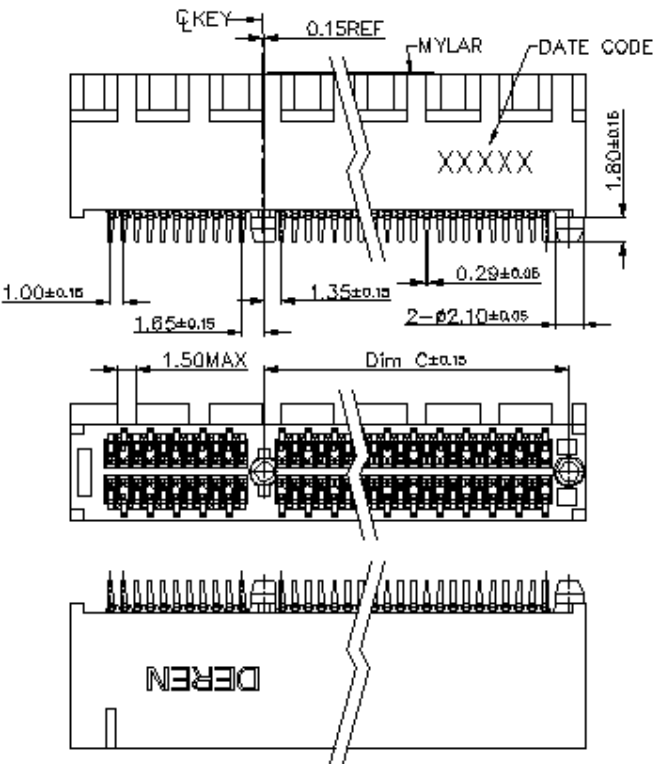
- PACKING CODE: 1: TRAY
2: REEL
- HOUSING COLOR: 1: BLACK 2: WITHE 3: BLUE
- TAIL LENGTH CODE: 1: 2.3mm 2: 2.31mm
3: 3.180mm 4: 3.56mm
- 1. HOUSING POST&WITH RIDGE
 - 2. HOUSING POST&WITHOUT RIDGE
 - 3. GAFF&WITH RIDGE
 - 4. GAFF&WITHOUT RIDGE
- PLATING CODE: 1: G/F
2: 15u" Min
3: 30u" Min
- HALOGEN CODE: H: HALOGEN FREE

Insulator: NYLON UL 94V-0, Color: Black
 Terminal: Copper alloy
 Current Rate: 0.5A
 Contact Resistance: 30mΩ
 Insulation Resistance: 500MΩ
 Dielectric Withstanding Voltage: 500VAC
 Operation Temperature: -40°C to +85°C
 Duration: 50 Cycles

PCI 4.0 DIP TYPE 柱子1.80



P/N:	#POS REF	N	DIM A	DIM B	DIM C
564ZD4-003H**311	36	6	10.50	25.00	9.15
564ZD4-003H**311	64	20	24.50	39.00	23.15
564ZD4-003H**311	98	37	41.50	56.00	40.15
564ZD4-003H**311	164	70	74.50	89.00	73.15

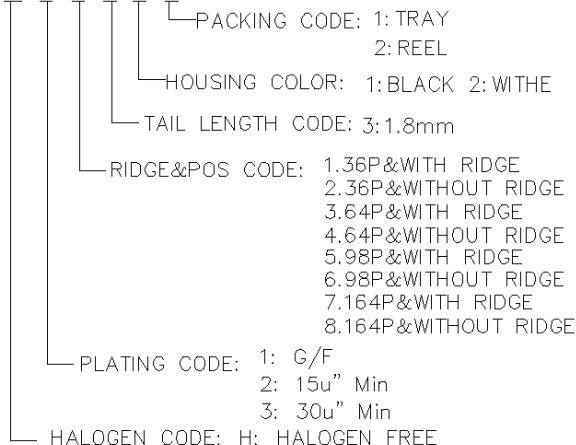


RECOMMENDED P.C.B LAYOUT (COMPONENT SIDE)

DEFAULT TOLERANCES: ±0.05

Part Number:

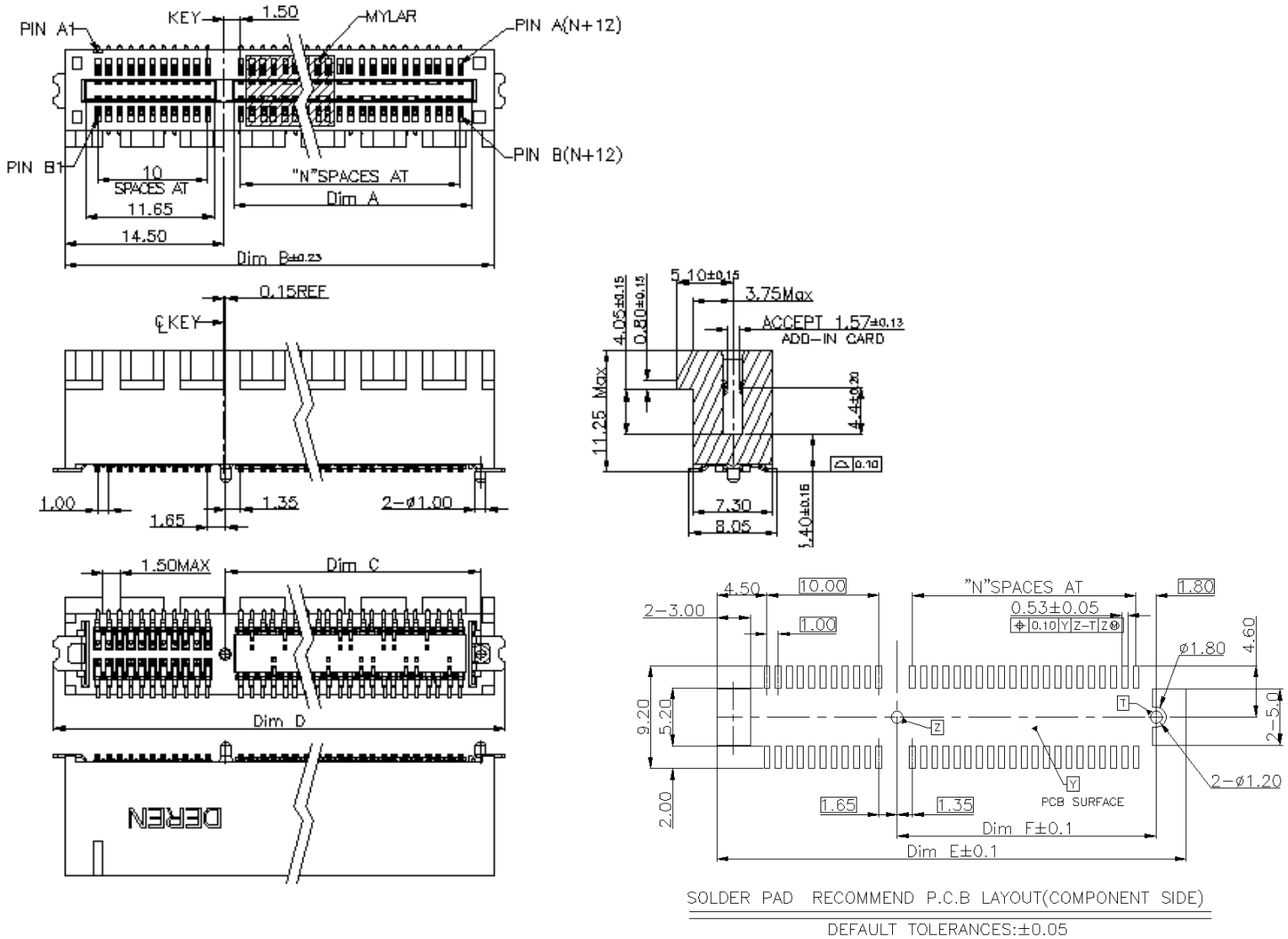
564ZD4 - 0 0 3 H * * 3 * *



Product Specification:

- Insulator: NYLON UL 94V-0, Color: Black
- Terminal: Copper alloy
- Current Rate: 0.5A
- Contact Resistance: 30mΩ
- Insulation Resistance: 500MΩ
- Dielectric Withstanding Voltage: 500VAC
- Operation Temperature: -40°C to +85°C
- Duration: 50 Cycles

PCI 5.0 SMT TYPE



Part Number:

564ZD4 - 0 0 4 H * * 0 * *

- PACKING CODE: 1: TRAY
2: REEL
- HOUSING COLOR: 1: BLACK 2: WHITE
- RESERVED
- RIDGE & POS CODE: 1: 36P & WITH RIDGE
2: 36P & WITHOUT RIDGE
3: 64P & WITH RIDGE
4: 64P & WITHOUT RIDGE
5: 98P & WITH RIDGE
6: 98P & WITHOUT RIDGE
7: 164P & WITH RIDGE
8: 164P & WITHOUT RIDGE
- PLATING CODE: 1: G/F
2: 15u" Min
3: 30u" Min
- HALOGEN CODE: H: HALOGEN FREE

Product Specification:

- Insulator: NYLON UL 94V-0, Color: Black
- Terminal: Copper alloy
- Current Rate: 0.5A
- Contact Resistance: 30mΩ
- Insulation Resistance: 500MΩ
- Dielectric Withstanding Voltage: 500VAC
- Operation Temperature: -40°C to +85°C
- Duration: 50 Cycles