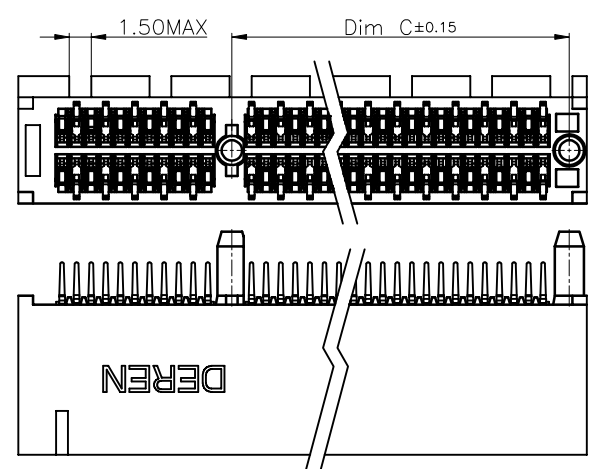
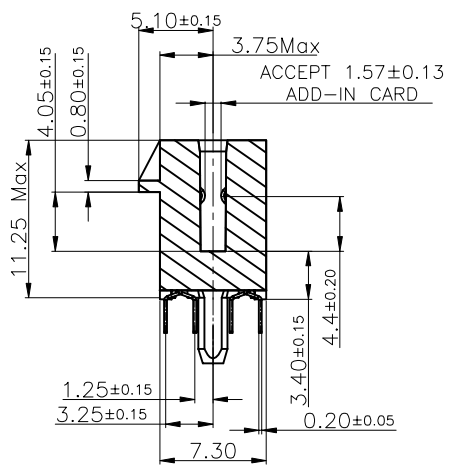
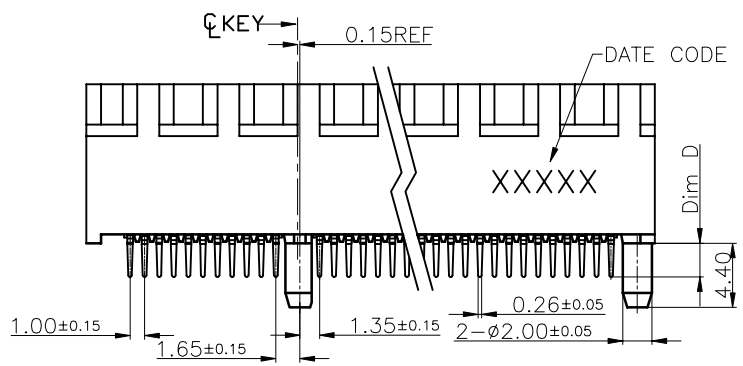
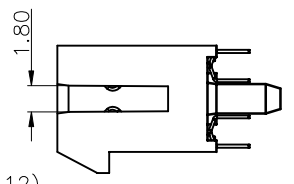
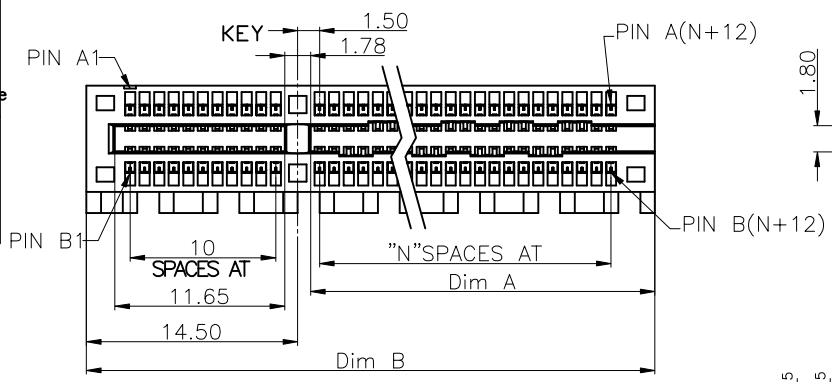


**HF**  
Halogen Free

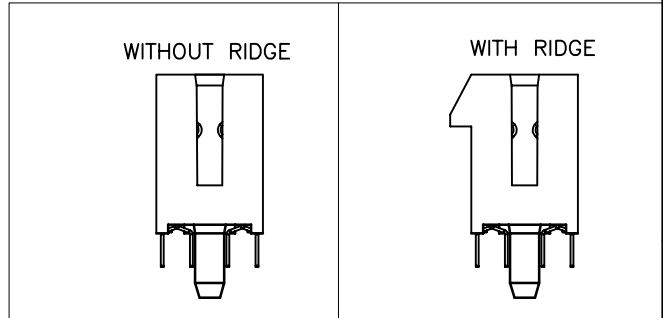
~~RoHS~~

REV.	ECN NO.	LOCATION	DESCRIPTION	DATE	DESIGN
X1			INITIAL RELEASE	07/31'20	Chen



NOTES:  
 PRODUCT MEETS CONTROLLED SUBSTANCES SPEC. ROHS 2.0  
 1. MATERIAL:  
 1.1 HOUSING:PA6T+30%G/F, UL94V-0; COLOR: BLACK  
 1.2 CONTACT :C5191-EH,T=0.20  
 1.3 MYLAR: POLYIMIDE FILM, t=0.10mm  
 2. FINISH:  
 CONTACT:GOLD PLATING(SEE PART NUMBER) ON CONTACT AREA.  
 2.54um[100u"] MIN. MATTE-TIN PLATING ON SOLDER TAIL AREA.  
 1.27um[50u"] MIN. NICKEL UNDERPLATING OVERALL.  
 3.DATE CODE : YYWWD (YY: YEAR, WW: WEEK, D: DAY)  
 4.PART NUMBER DESCRIPTION:  
 564ZD4 - 0 0 1 H \* \* \* \*

PACKING CODE: 1:TRAY  
 2:REEL  
 HOUSING COLOR:1:BLACK 2:WITHE 3.BLUE  
 TAIL LENGTH CODE:1:2.3mm 2:3.1mm  
 3:1.80mm 4:3.56mm  
 RIDGE&POS CODE: 1:36P&WITH RIDGE  
 2:36P&WITHOUT RIDGE  
 3:64P&WITH RIDGE  
 4:64P&WITHOUT RIDGE  
 5:98P&WITH RIDGE  
 6:98P&WITHOUT RIDGE  
 7:164P&WITH RIDGE  
 8:164P&WITHOUT RIDGE  
 PLATING CODE: 1: G/F  
 2: 15u" Min  
 3: 30u" Min  
 HALOGEN CODE: H: HALOGEN FREE



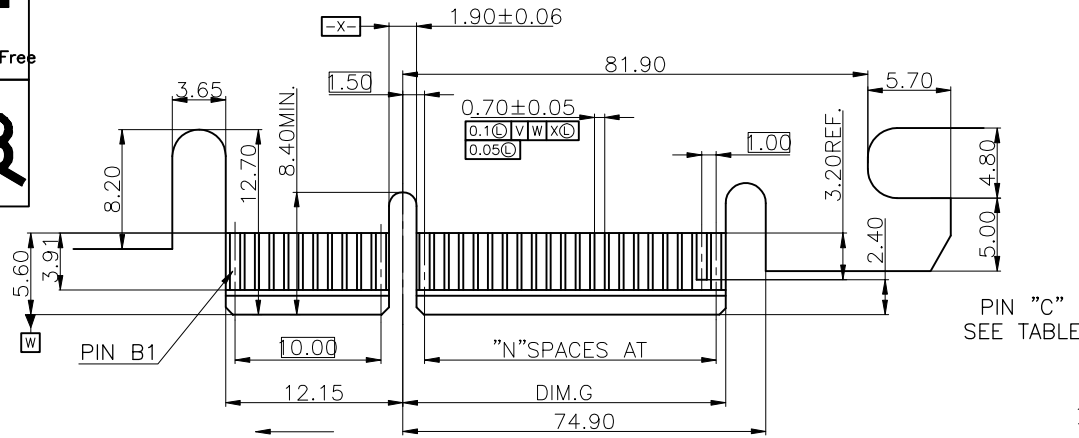
P/N:	#POS REF	N	DIM A	DIM B	DIM C	DIM D	PCB THK
564ZD4-001H*****	36	6	10.50	25.00	9.15	2.30±0.25	1.58
564ZD4-001H*****	64	20	24.50	39.00	23.15	3.10±0.25	2.38
564ZD4-001H*****	98	37	41.50	56.00	40.15	1.80±0.25	1.10
564ZD4-001H*****	164	70	74.50	89.00	73.15	3.56±0.25	1.10

DIM	TOL	DIM	TOL
x.	±0.30	x.	±2°
.x	±0.25	.x	±1°
.xx	±0.20		

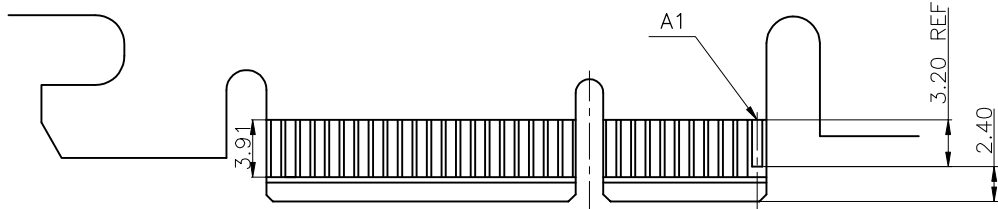
**DEREN**  
 SHENZHEN DEREN ELECTRONIC CO.,LTD

CUSTOMER DRAWING	DATE	TITLE: PCI EXPRESS 4.0 PITCH 1.0 DIP TYPE 侧面有缺口
DESIGN: Chen	07/31'20	P/N: SEE TABLE
CHECK: Bill.Lin	07/31'20	SHEET: 1/4
APPROVAL: Smark.Huo	07/31'20	SCALE: 1:1 UNIT: mm

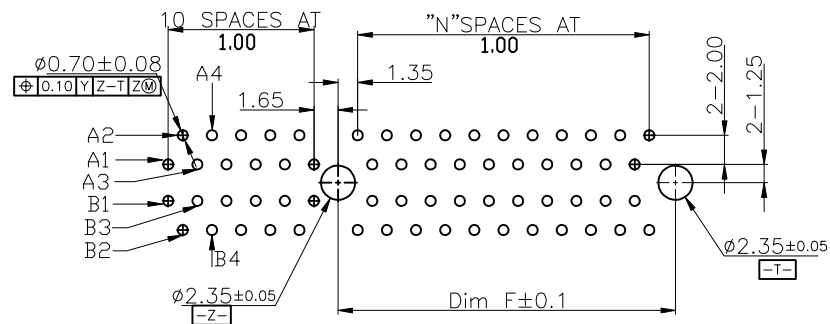
DRAW NO. SC2006832  
 REV. X1



I/O PANEL DIRECTION  
Recommended GOLD FINGER(B SIDE VIEW)



I/O PANEL DIRECTION  
Recommended GOLD FINGER(A SIDE VIEW)



RECOMMENDED P.C.B LAYOUT(COMPONENT SIDE)

DEFAULT TOLERANCES:±0.05

NOTES:

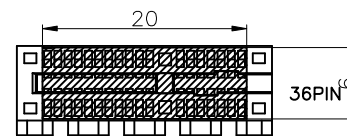
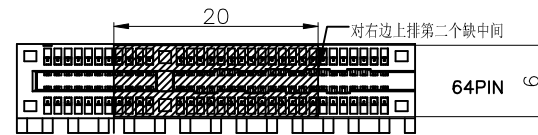
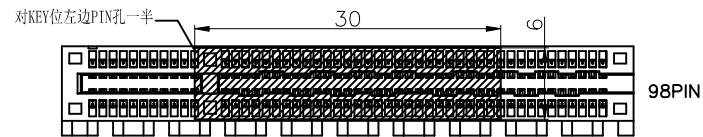
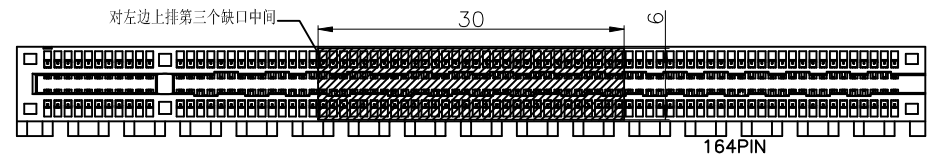
- NO TIE PERMITTED FROM CARD EDGE TO LEADING EDGE OF PAD FOR PINS A1 AND "C"
- CHAMFER EDGES MUST BE FREE OF CUTTING BURRS
- 1.ELECTRICAL CHARACTERISTICS :
  - 1-1.CURRENT RATING:1.1AMP.30°C RISE ABOVE AMBIENT.
  - 1-2.CONTACT RESISTANCE:30 MILLIOHMS MAX. INITIAL, 10 MILLIOHMS MAX. CHANGE AFTER TEST.
  - 1-3.INSULATION RESISTANCE:1000 MEGOHMS MIN.
  - 1-4.DIELECTRICAL WITHSTAND VOLTAGE:500V AC MIN.AT SEA LEVEL.
- 2.MECHANICAL CHARACTERISTICS:
  - 2-1.INSERTION FORCE:1.15N MAX.PER CONTACT PAIR.
  - 2-2.REMOVAL FORCE: 0.15N MIN.PER CONTACT PAIR
  - 2-3.DURABILITY:50 MATING AND UNMATING CYCLES.
  - 2-4.CONTACT RETENTION FORCE:0.5N MIN.
- 3.ENVIRONMENTAL CHARACTERISTICS:
  - 3-1.OPERATING TEMPERATURE RANGE:-40°C TO +105°C.

ACROSS PADS

PIN "C"  
SEE TABLE

用REEL装须贴上MYLAR

贴MYLAR示意图



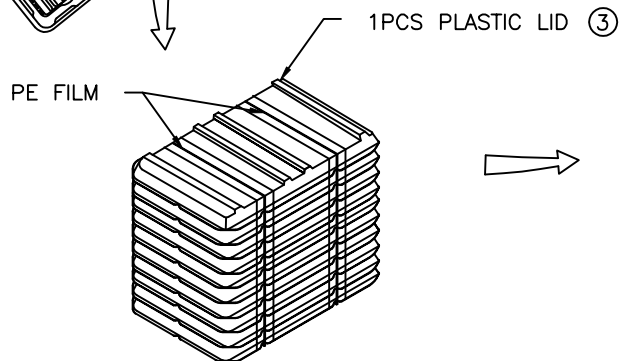
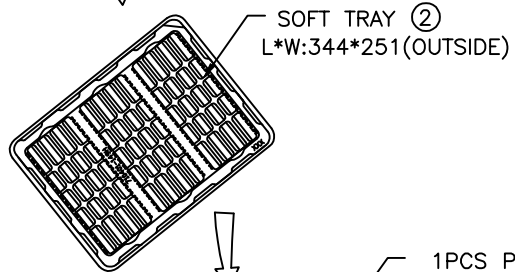
#POS REF	N	DIM F	DIM G	PIN C
36	6	9.15	8.15	B17
64	20	23.15	22.15	B31
98	37	40.15	39.15	B48
164	70	73.15	72.15	B81

DIM	TOL	DIM	TOL
x.	±0.30	x.	±2"
.x	±0.25	.x	±1"
.xx	±0.20		

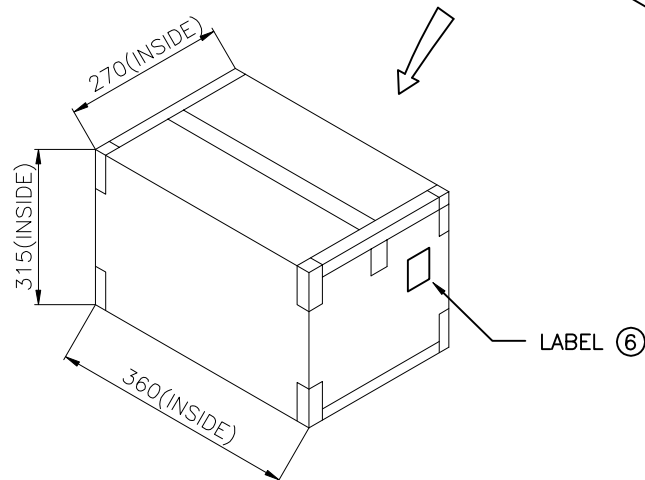
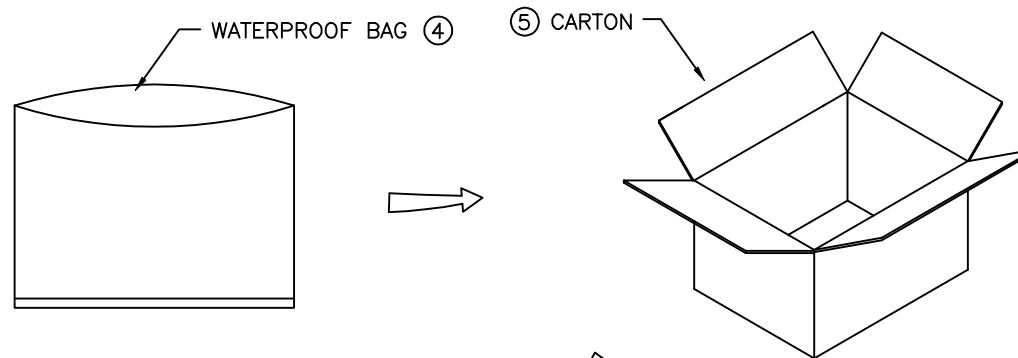
**DEREN**  
SHENZHEN DEREN ELECTRONIC CO.,LTD

DRAW NO.	CUSTOMER DRAWING		DATE		TITLE: PCI EXPRESS 4.0 PITCH 1.0 DIP TYPE侧面有缺口
	SC2006832	DESIGN:	Chen	07/31'20	
REV.	X1	CHECK:	Bill.Lin	07/31'20	SHEET: 2/4
		APPROVAL:	Smak.Huo	07/31'20	SCALE: 1:1 UNIT: mm

**HF**  
Halogen Free



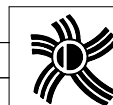
5	CARTON	50-41001-18	360*270*315mm(INNER)	1
4	BAG	55-41009-01	750*600*0.05mm	1
3	LID	-	344*251mm	1
2	SOFT TRAY	-	344*251mm	12
1	CONN	-	-	SEE TABLE
NO.	PART NAME	PART NUMBER	SPEC.	QTY



- NOTE:
1. PUT THE PRODUCTS INTO TRAY WITH DIRECTION AS THE LEFT SKETCH SHOWN, Q'TY SEE TABLE, 12 TRAYS STACKED UP PER BUNDLE. THEN ADD AN EMPTY TRAY ON TOPSIDE.
  2. WIND THE TWO ENDS WITH PE FILM.
  3. PUT THE PRODUCTS BUNDLED INTO WATER-PROOF PE BAG, 1BUNDLES/BAG, THEN PUT INTO THE CARTON.
  4. SEAL OUTER CARTON WITH PACKING TAPE LIKE A 'H' SHAPE
  5. PACKAGING QUANTITY: SEE TABLE.

P/N:	#POS REF	RIDGE	PCS/ROW OF TRAY	PCS/COLUMN OF TRAY	PCS/TRAY	TRAYS/CARTON	PCS/CARTON
564ZD4-001H****1	36	WITH	15	8	120	12	1440
564ZD4-001H****1		WITHOUT	15	8	120	12	1440
564ZD4-001H****1	64	WITH	15	6	90	12	1080
564ZD4-001H****1		WITHOUT	15	6	90	12	1080
564ZD4-001H****1	98	WITH	15	4	60	12	720
564ZD4-001H****1		WITHOUT	15	4	60	12	720
564ZD4-001H****1	164	WITH	15	3	45	12	540
564ZD4-001H****1		WITHOUT	15	3	45	12	540

DIM	TOL	DIM	TOL
x		x	
.x		.x	
.xx			



**DEREN**  
SHENZHEN DEREN ELECTRONIC CO., LTD

CUSTOMER DRAWING	DATE	TITLE: PCI EXPRESS 4.0 PITCH 1.0 DIP TYPE 侧面有缺口
DESIGN: Chen	07/31'20	P/N: SEE TABLE
CHECK: Bill.Lin	07/31'20	SHEET: 3/4
APPROVAL: Smark.Huo	07/31'20	SCALE: 1:1 UNIT: mm
DRAW NO. SC2006832	REV. X1	

1 2 3 4 5 6 7 8

A

B

C

D

E

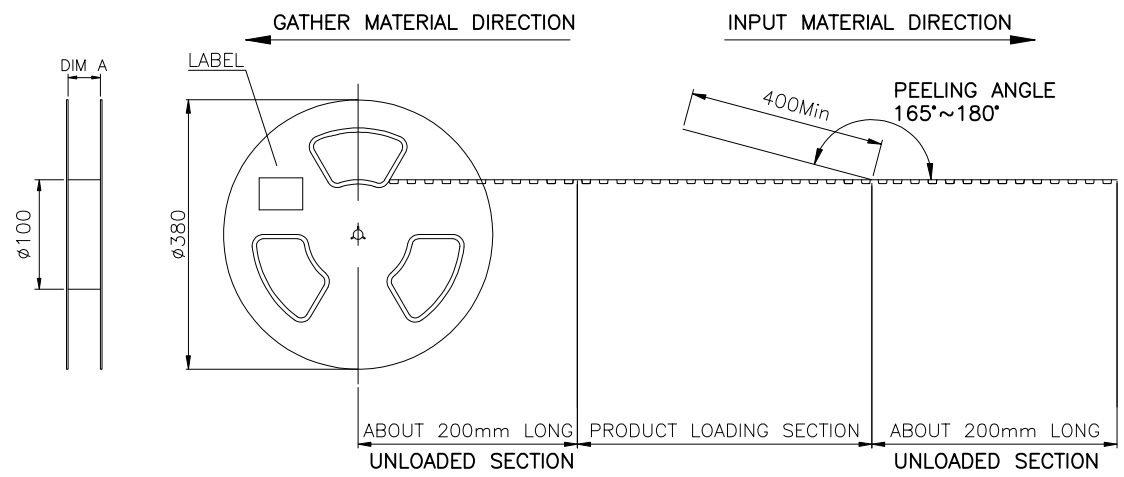
A

B

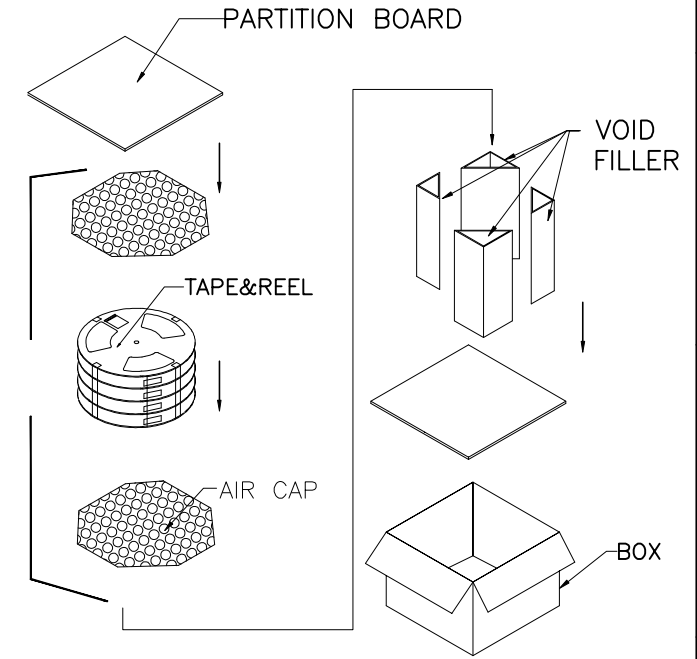
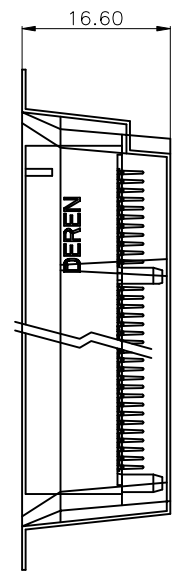
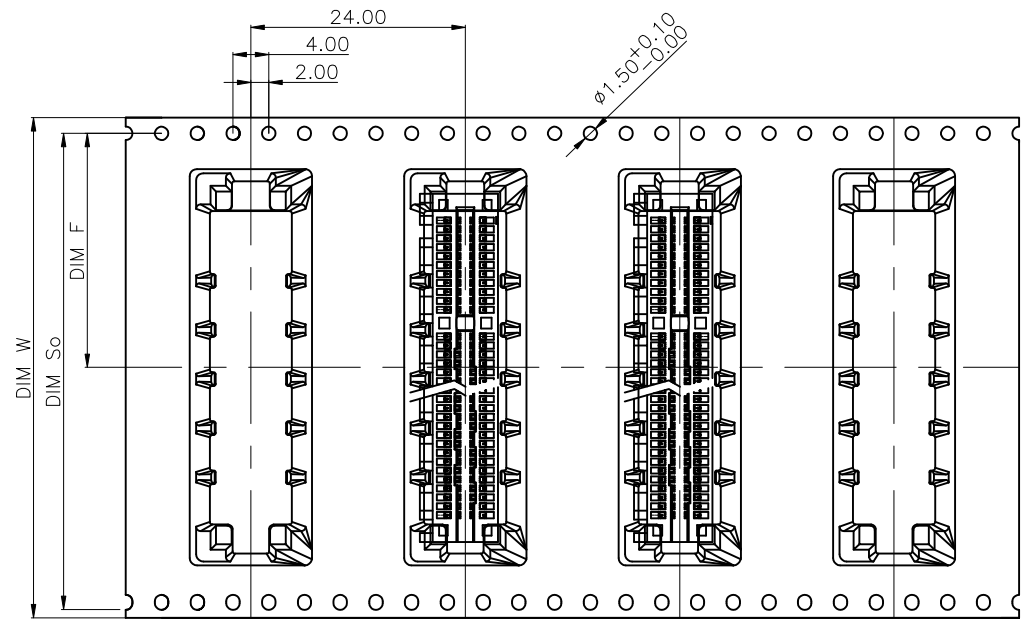
C

D

E



- MATERIAL:  
COVER TAPE: PET, COLOR: CLEAR  
CARRIER TAPE: PET  
REEL: PS  
SHIPPING BOX; CORRUGATED FIBER
- DIMENSION:  
REEL: SEE DRAWING  
BOX: L385mmxW385mm
- QUANTITY: SEE TABLE



PULL OUT DIRECTION

P/N:	#POS REF	RIDGE	DIM W	DIM S4	DIM F	DIM A /REEL	PCS /REEL	REELS / CARTON	PCS / CARTON
564ZD4-001H****2	36	WITH	44	40.4	20.2	44.4	200	5	1000
564ZD4-001H****2		WITHOUT							
564ZD4-001H****2	64	WITH	56	52.4	26.2	56.4	200	4	800
564ZD4-001H****2		WITHOUT							
564ZD4-001H****2	98	WITH	72	68.4	34.2	72.4	200	3	600
564ZD4-001H****2		WITHOUT							
564ZD4-001H****2	164	WITH	104	100.4	50.2	104.4	200	2	400
564ZD4-001H****2		WITHOUT							

DIM	TOL	DIM	TOL
x		x	
.x		.x	
.xx			

**DEREN**  
SHENZHEN DEREN ELECTRONIC CO., LTD

DRAW NO.	DESIGN: Chen		DATE	07/31'20	TITLE: PCI EXPRESS 4.0 PITCH 1.0 SMT TYPE 侧面有缺口
	SC2006832	CHECK: Bill.Lin	DATE	07/31'20	
REV. X1	APPROVAL: Smark.Huo	DATE	07/31'20	P/N: SEE TABLE	SHEET: 4/4
				SCALE: N/A	UNIT: mm

1 2 3 4 5 6 7 8