

WITH CAP

REV.	ECN NO.	LOCATION	DESCRIPTION	DATE	DESIGN
X1			INITIAL RELEASE	6/20'20	Mike
X2			UPDATE P/N	7/10'20	Mike
X3		X3	UPDATE PACKAGING QUANTITY	8/22'20	Mike
X4		X4	UPDATE PACKAGING	9/03'20	Mike
X5		X5	UPDATE DRAWING	11/09'20	Mike

NOTES:

- MATERIAL:
 - HOUSING: HIGH TEMPERATURE PLASTIC. UL94 V-0
 - CONTACT: COPPER ALLOY
 - SHELL: STAINLESS STEEL
 - CAP: HIGH TEMPERATURE PLASTIC. UL94 V-0 COLOR:BLACK
- FINISH:
 - CONTACT:
 - GOLD PLATING 30u"Min ON CONTACT AREA.
 - 100u" MIN. MATTE-TIN PLATING ON SOLDER TAIL AREA.
 - 50u"MIN. NICKEL UNDERPLATING OVERALL.
 - SHELL:
 - Ni 50u" Min PLATING OVER ALL.

TABLE

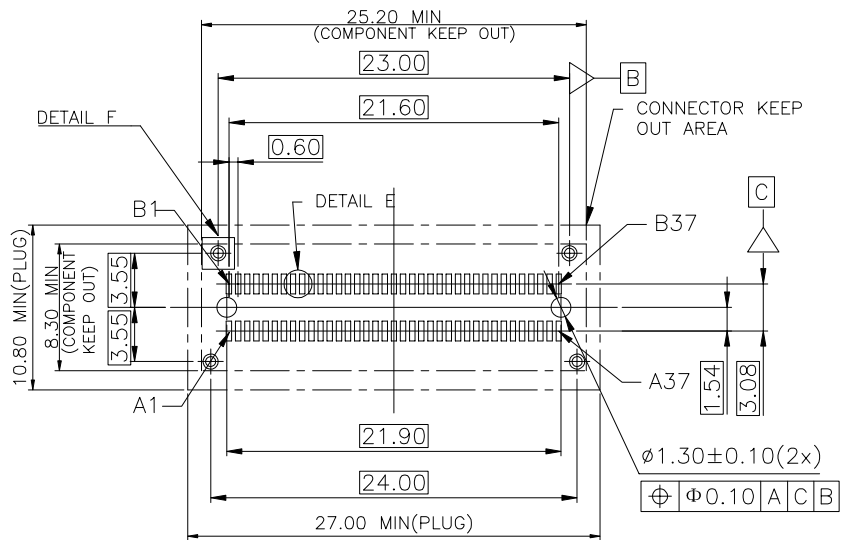
562805-003H	3.00mm
562805-002H	2.00mm
PART No.	Dim.A

DIM	TOL	DIM	TOL
x.	±0,30	x.	±2°
.x	±0,25	.x	±1°
.xx	±0,20		
.xxx			

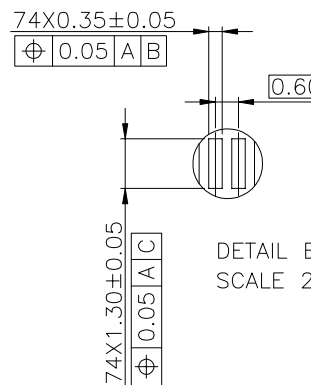
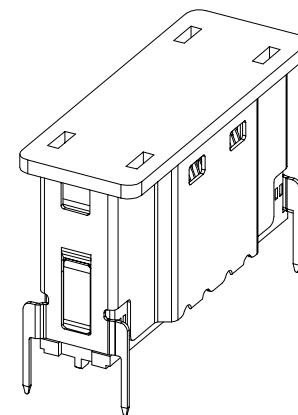


DEREN
SHENZHEN DEREN ELECTRONIC CO., LTD

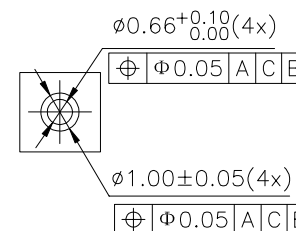
CUSTOMER DRAWING		DATE		TITLE: Slim SAS XB 74pin rec Vertical Type	
DESIGN:	Mike	2020.09.03		P/N: 562805-00XH	
CHECK:	Bill Lin	2020.09.03		SHEET:	1/3
APPROVAL:	Bill Lin	2020.09.03		SCALE:	N/A
DRAW NO.	SC2006572	REV.	X5	UNIT:	mm



RECOMMENDED PCB LAYOUT



DETAIL E
SCALE 2.5:1

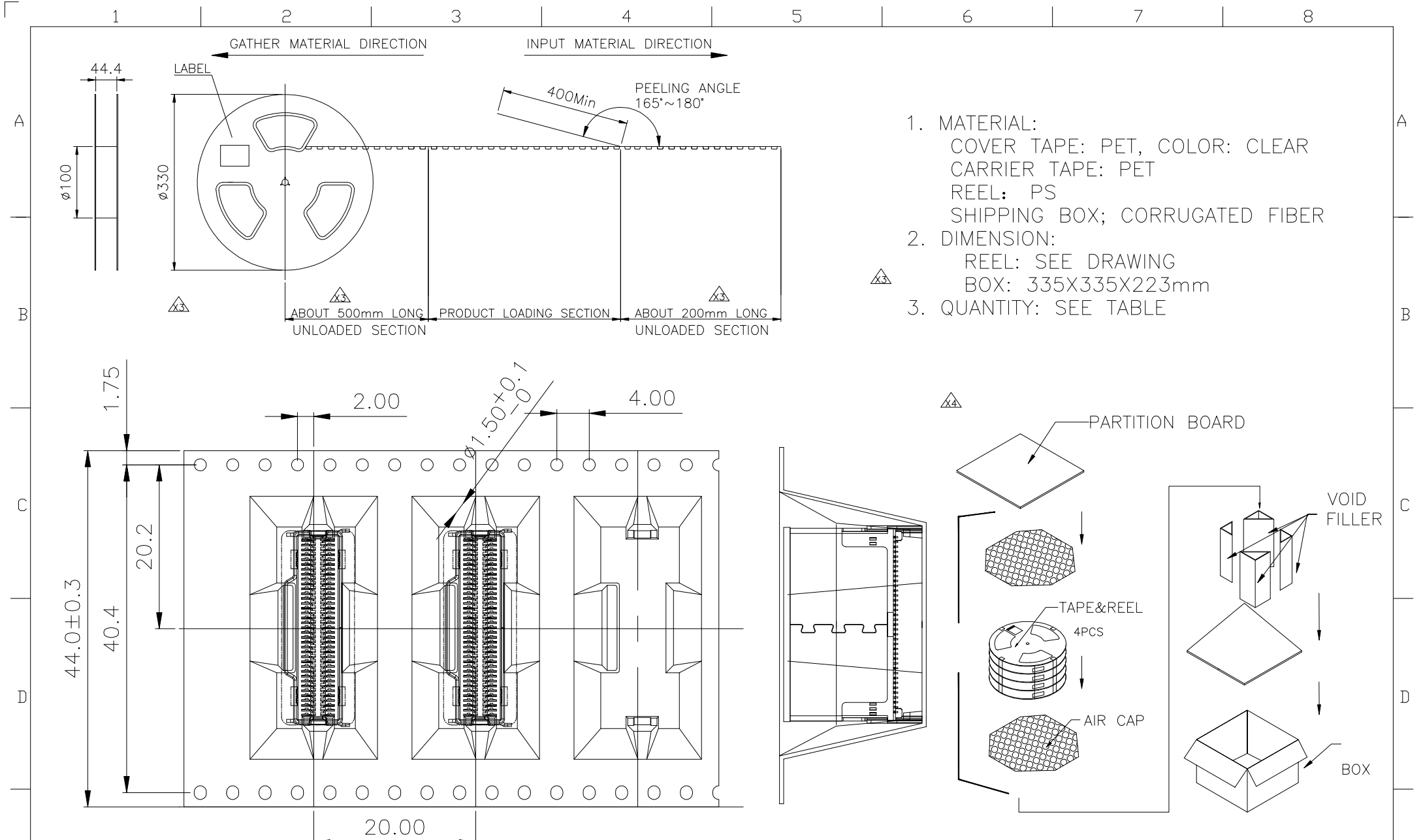


DETAIL F
SCALE 2.5:1

- NOTES:
 1. RECOMMENDED SPACING BETWEEN ADJACENT CONNECTORS IS 19.05mm
 2. RECOMMENDED PCB THICKNESS: 1.57mm Min
 3. DATUM "A" ESTABLISHED FROM TOP SURFACE OF PCB

DIM	TOL	DIM	TOL
x.	/	x.	/
.x		x.	
.xx			
.xxx			

		DEREN			
		SHENZHEN DEREN ELECTRONIC CO., LTD			
CUSTOMER DRAWING		DATE		TITLE: Slim SAS XB 74pin rec Vertical Type	
DRAW NO. SC2006572		DESIGN: Mike	2020.09.03	P/N: 562805-00XH	
REV. X5		CHECK: Bill Lin	2020.09.03	SHEET: 2/3	
		APPROVAL: Bill Lin	2020.09.03	SCALE: N/A	UNIT: mm



1. MATERIAL:
 COVER TAPE: PET, COLOR: CLEAR
 CARRIER TAPE: PET
 REEL: PS
 SHIPPING BOX; CORRUGATED FIBER
2. DIMENSION:
 REEL: SEE DRAWING
 BOX: 335X335X223mm
3. QUANTITY: SEE TABLE

TABLE

PART No.	PCS/REEL	REEL/CARTON	480 PCS/CARTON
562805-00XH	120	4	480

DIM	TOL	DIM	TOL
x.		x.	
.x		.x	
.xx			

DEREN
 SHENZHEN DEREN ELECTRONIC CO., LTD

CUSTOMER	DRAWING	DATE	TITLE: Slim SAS X8 74pin rec Vertical Type	
DESIGN:	Mike	2020.09.03	P/N: 562805-00XH	
CHECK:	Bill Lin	2020.09.03	SHEET:	3/3
APPROVAL:	Bill Lin	2020.09.03	SCALE:	N/A
REV.	X5		UNIT:	mm