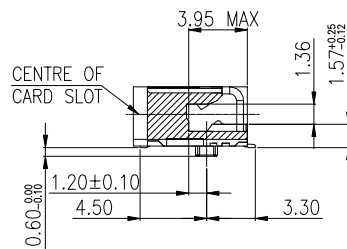
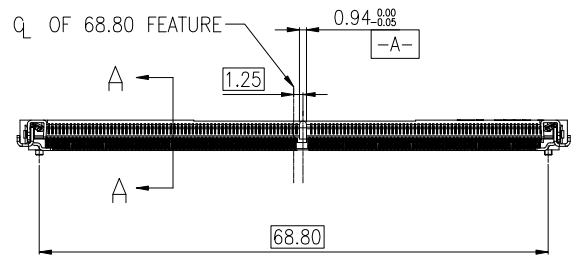
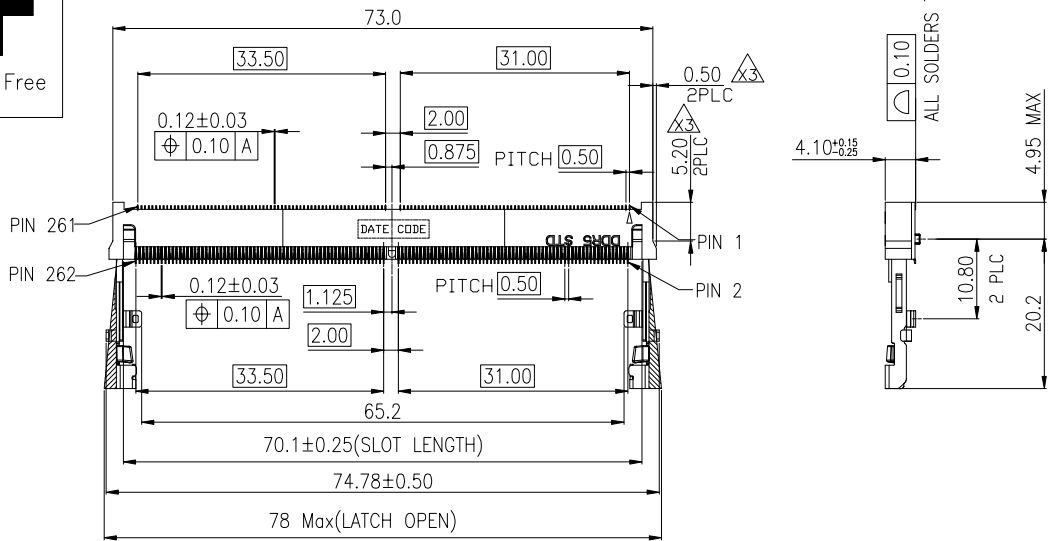
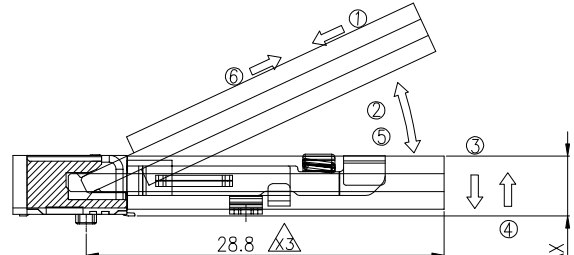


HF

Halogen Free



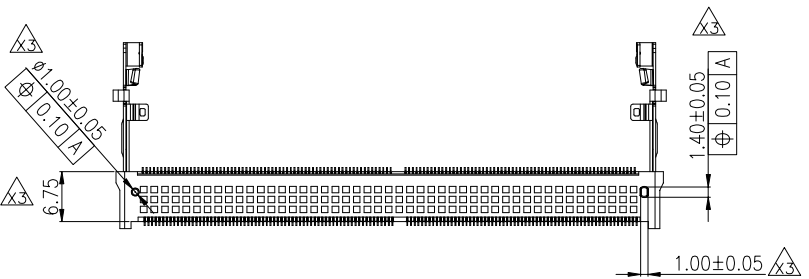
SCALE 2:1



MATING/UNMATING VIEW

MATING: ① INSERTING(25°) → ② ROTATING → ③ FIXED
 UNMATING: ④ UNFIXED → ⑤ ROTATING → ⑥ WITHDRAWING

TABLE	30u"	567Y01-005H
	15u"	567Y01-004H
	10u"	567Y01-003H
	5u"	567Y01-002H
	GF	567Y01-001H
	Au PLATING	DEREN P/N



REV.	ECN NO.	LOCATION	DESCRIPTION	DATE	DESIGN
X1			PRELIMINARY DRAWING	2020.07.31	HC
X2		X2	UPDATE DRAWING	2021.02.01	HC
X3		X3	UPDATE DRAWING	2021.07.01	HC
X4		X4	UPDATE DRAWING	2022.01.10	HC

NOTES:

- MATERIAL:
 - HOUSING:LCP,UL94V-0,COLOR:BLACK.
 - CONTACT:PHOSPHOR BRONZE.
 - LATCH:STAINLESS STEEL.
- FINISH:
 - CONTACT:50u" MIN NICKEL UNDERPLATED ALL OVER.
GOLD FALSH PLATING ON SOLDERTAIL.
GOLD PLATING (THICKNESS SEE P/N) ON CONTACT AREA.
 - SOLDER PEG:
50u" MIN NICKEL UNDERPLATED ALL OVER.
100u" MIN MATTE TIN PLATING ENTIRE OVER.
- DATE CODE :YYWDLX
 YY: YEAR (09: 2009)
 WW: WEEK (25: THE 25TH WEEK)
 D: DAY (1~7: SUNDAY~SATURDAY)
 L: LINE NUMBER OF ASSEMBLY (A: LINE A)
 X: MANUFACTURE CODE
- RECOMMENDED STENCIL THICKNESS:0.12mm Min.

DIM	TOL	DIM	TOL
.x	±0.50	.x'	±3'
.x	±0.35	.x''	±2'
.xx	±0.25	.xx'	±1'
.xxx	±0.15		



DEREN
 SHENZHEN DEREN ELECTRONIC CO., LTD

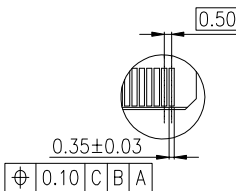
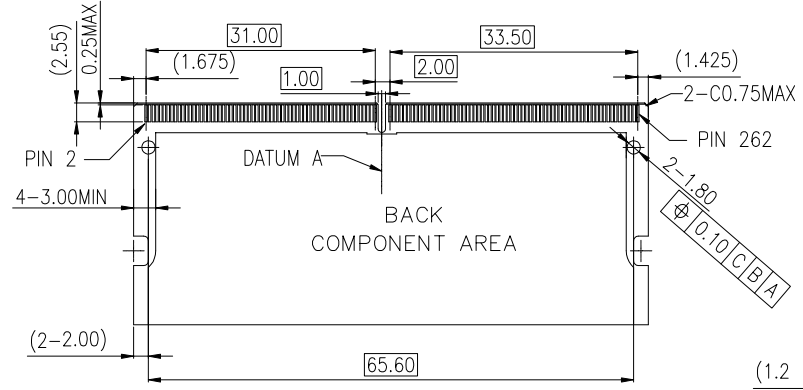
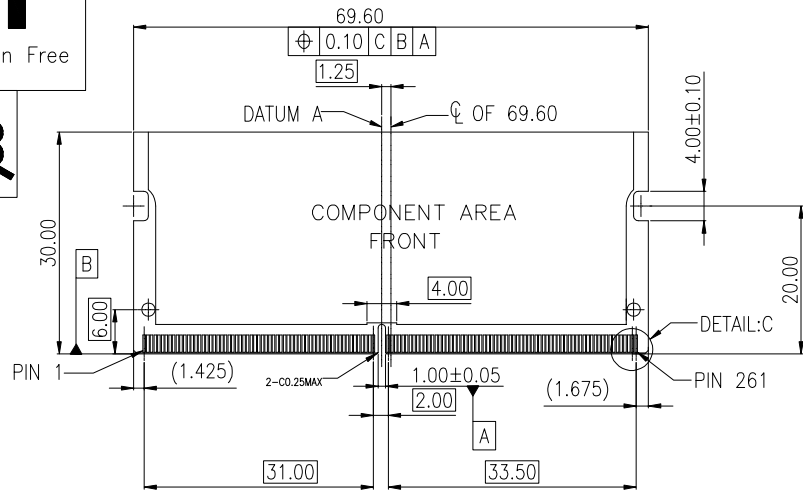
DRAW NO. SC2006738	DESIGN: HC	DATE 2022.01.10	TITLE: DDR5 SO DIMM 262PIN 4.0H STD METAL LATCH C DWG
REV. X4	CHECK:		P/N: SEE TABLE
	APPROVAL:		SHEET: 1/3
			SCALE: 1:1 UNIT: mm

HF

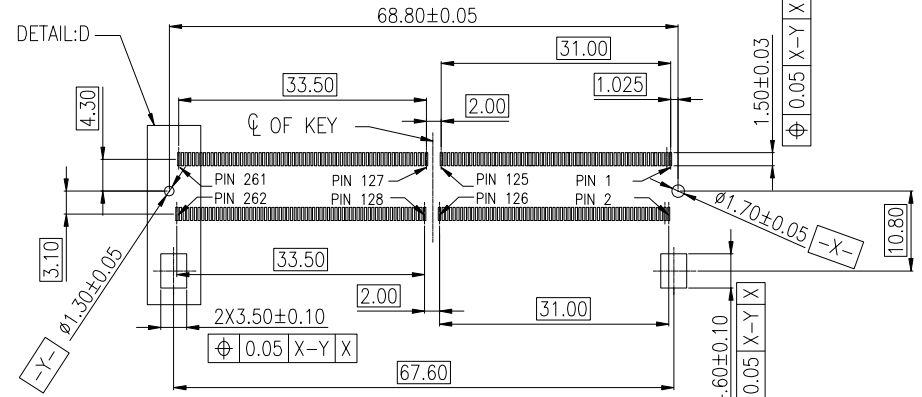
Halogen Free



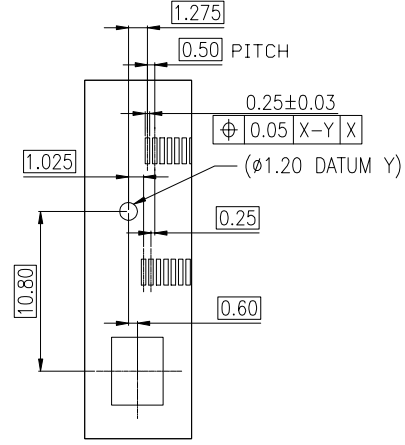
REV.	ECN NO.	LOCATION	DESCRIPTION	DATE	DESIGN
X1			PRELIMINARY DRAWING	2020.07.31	HC
X2			UPDATE DRAWING	2021.02.01	HC
X3			UPDATE DRAWING	2021.07.01	HC
X4			UPDATE DRAWING	2022.01.10	HC



DETAIL:C
SCALE 2:1



RECOMMEND PCB LAYOUT(TOP VIEW)
THE TOLERANCE UNLESS SPECIFIED IS ±0.05MM



DETAIL:D
SCALE 2:1

DIM	TOL	DIM	TOL
.x	±0.50	.x'	±3°
.x	±0.35	.x''	±2°
.xx	±0.25	.xx'	±1°
.xxx	±0.15		



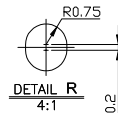
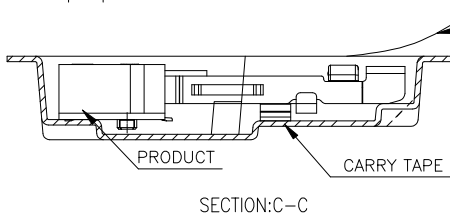
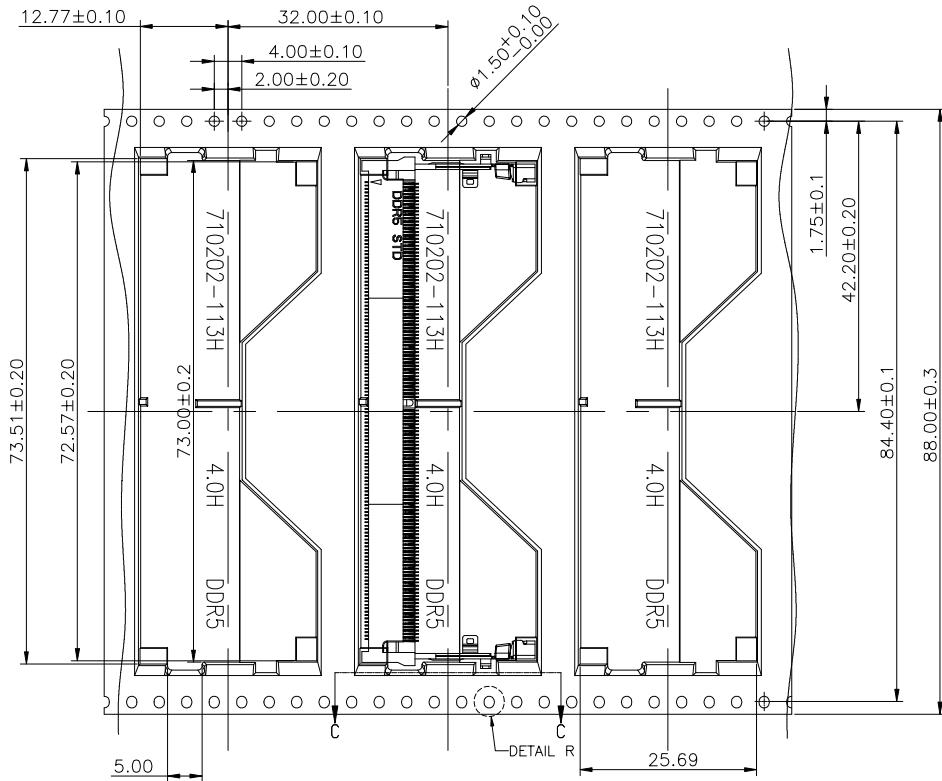
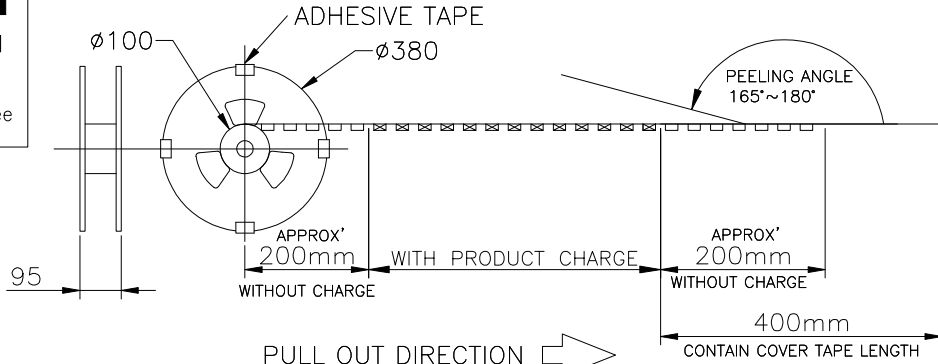
DEREN
SHENZHEN DEREN ELECTRONIC CO., LTD

DRAW NO.
SC2006738

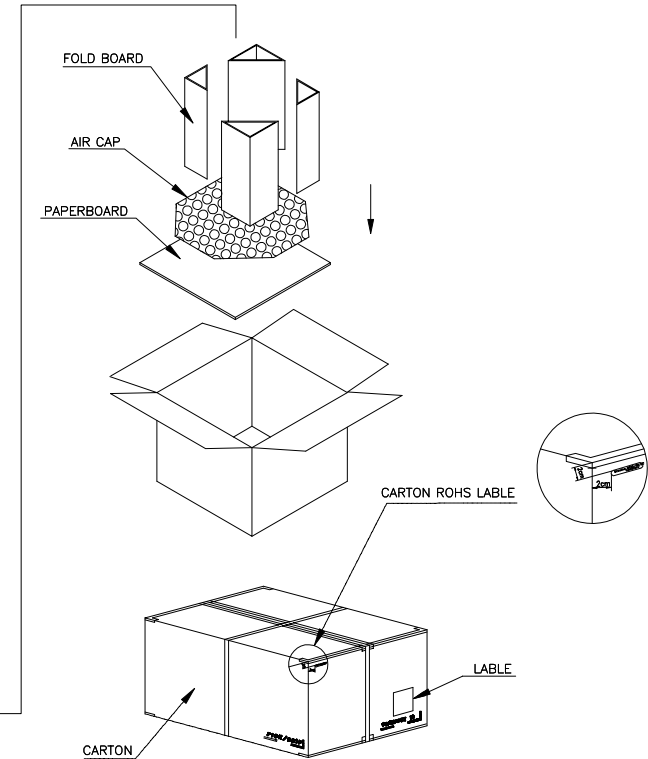
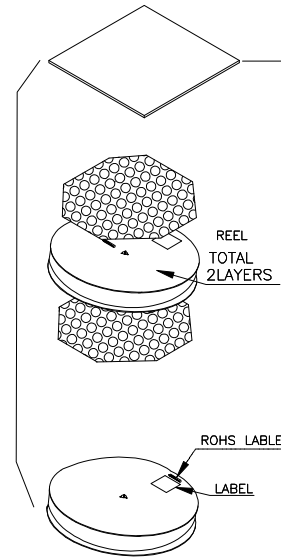
CUSTOMER DRAWING
DESIGN: HC
DATE: 2022.01.10
CHECK:
APPROVAL:

TITLE: DDR5 SO DIMM 262PIN 4.0H STD METAL LATCH C DWG
P/N: SEE TABLE
SHEET: 2/3
SCALE: 1:1
UNIT: mm

HF
Halogen Free



REV.	ECN NO.	LOCATION	DESCRIPTION	DATE	DESIGN
X1			PRELIMINARY DRAWING	2020.07.31	HC
X2		△2	UPDATE DRAWING	2021.02.01	HC
X3		△3	UPDATE DRAWING	2021.07.01	HC
X4		△4	UPDATE DRAWING	2022.01.10	HC



△2	500	2	1000	SEE P/N
	PCS/REEL	REEL/CARTON	PCS/CARTON	PART NUMBER



DEREN
SHENZHEN DEREN ELECTRONIC CO., LTD

DIM	TOL	DIM	TOL
.x	±0.50	.x'	±3'
.x	±0.35	.x'	±2'
.xx	±0.25	.xx'	±1'
.xxx	±0.15		

DRAW NO.	DESIGN:	HC	DATE	2022.01.10
SC2006738	CHECK:			
REV.	X4	APPROVAL:		

TITLE:	DDR5 SO DIMM 262PIN 4.0H STD METAL LATCH C DWG
P/N:	SEE TABLE
SHEET:	3/3
SCALE:	1:1
UNIT:	mm