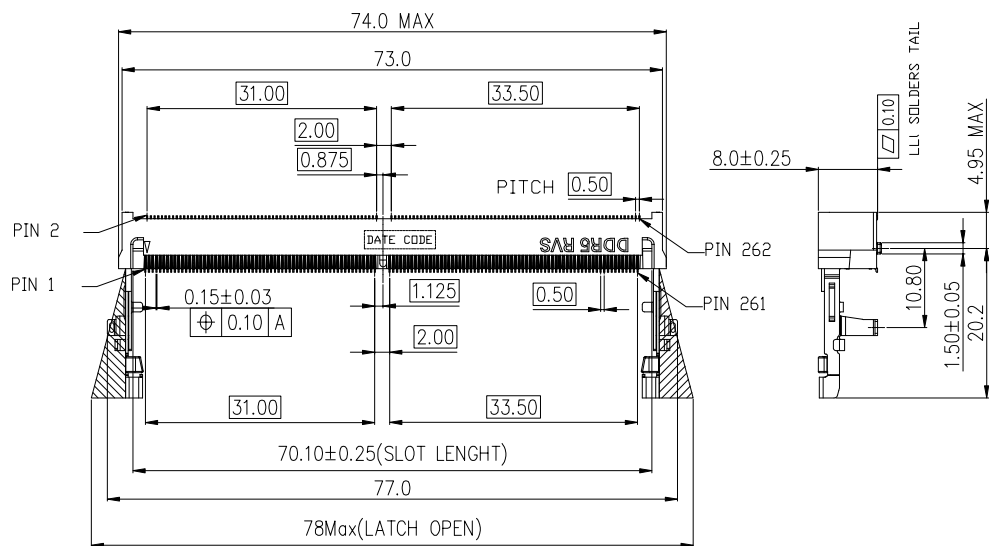


HF

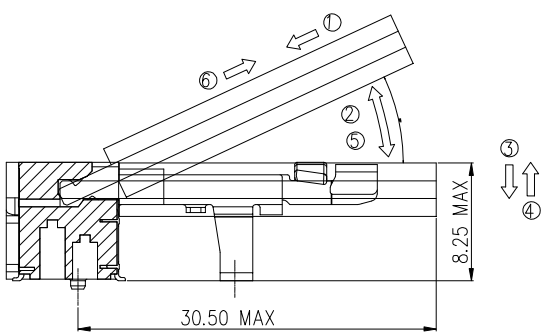
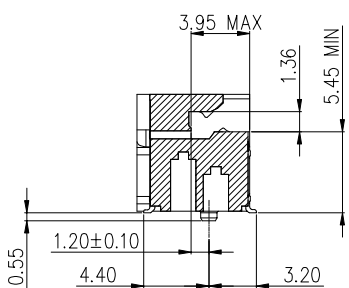
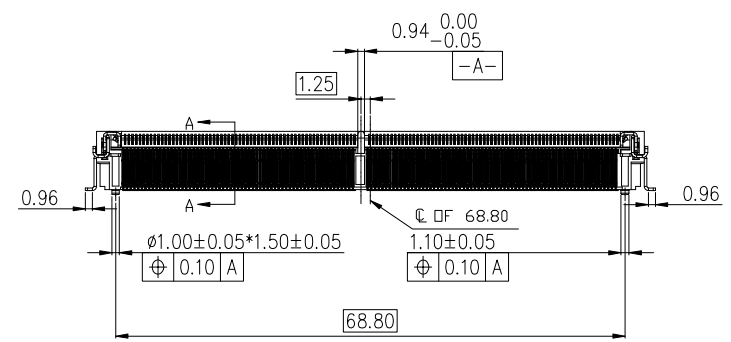
Halogen Free



REV.	ECN NO.	LOCATION	DESCRIPTION	DATE	DESIGN
X1			INITIAL RELEASE	04/20'20	HC
X2			UPDATE DRAWING	12/02'20	HC



NOTES:
 1.MATERIAL:
 1.1 HOUSING:LCP,UL94V-0,COLOR:BLACK.
 1.2 CONTACT:PHOSPHOR BRONZE.
 1.3 LATCH:STAINLESS STEEL.
 2. FINISH:
 2.1 CONTACT:90u" MIN NICKEL UNDERPLATED ALL OVER.
 GOLD FALSH(Au 2u"Min) PLATING ON SOLDER TAIL.
 GOLD PLATING (THICKNESS SEE P/N) ON CONTACT AREA.
 2.2 SOLDER PEG:
 90u" MIN NICKEL UNDERPLATED ALL OVER.
 100u" MIN MATTE TIN PLATING ENTIRE OVER.
 3. DATE CODE : YYWWDLX
 YY: YEAR (09: 2009)
 WW: WEEK (25: THE 25TH WEEK)
 D: DAY (1~7: SUNDAY~SATURDAY)
 L: LINE NUMBER OF ASSEMBLY (A: LINE A)
 X: MANUFACTURE CODE



MATING/UNMATING VIEW
 MATING: ①INSERTING(25°) → ②ROTATING → ③FIXED
 UNMATING: ④UNFIXED → ⑤ROTATING → ⑥WITHDRAWING

TABLE

DIM	TOL	DIM	TOL
30u"	567Y10-005H	x.	±0.50
15u"	567Y10-004H	.x	±0.35
10u"	567Y10-003H	.xx	±0.25
5u"	567Y10-002H	.xxx	±0.15
GF	567Y10-001H		
Au PLATING	DEREN P/N		



DEREN
 SHENZHEN DEREN ELECTRONIC CO., LTD

CUSTOMER DRAWING	DATE	TITLE: DDR5 SO DIMM 8.0H METALI LATCH RVS C DWG
DESIGN: HC	12/02'20	P/N: SEE TABLE
CHECK:		SHEET: 1/3
APPROVAL:		SCALE: 1:1 UNIT: mm

DRAW NO. SC2006740

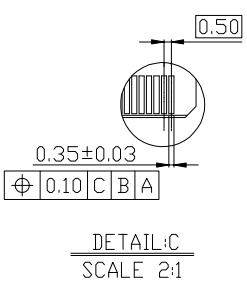
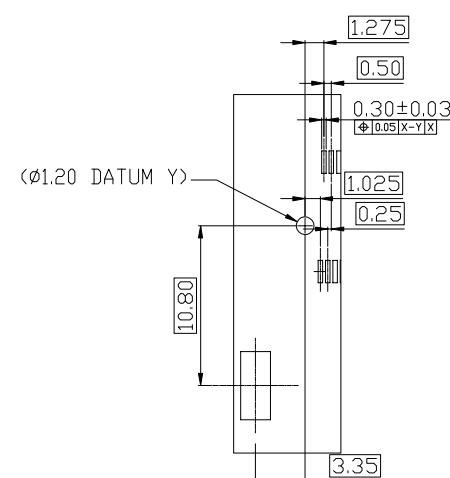
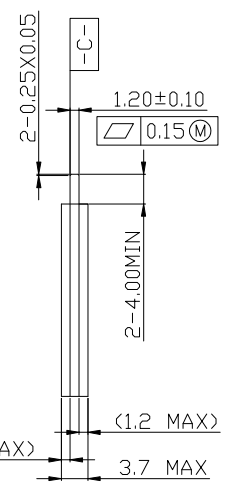
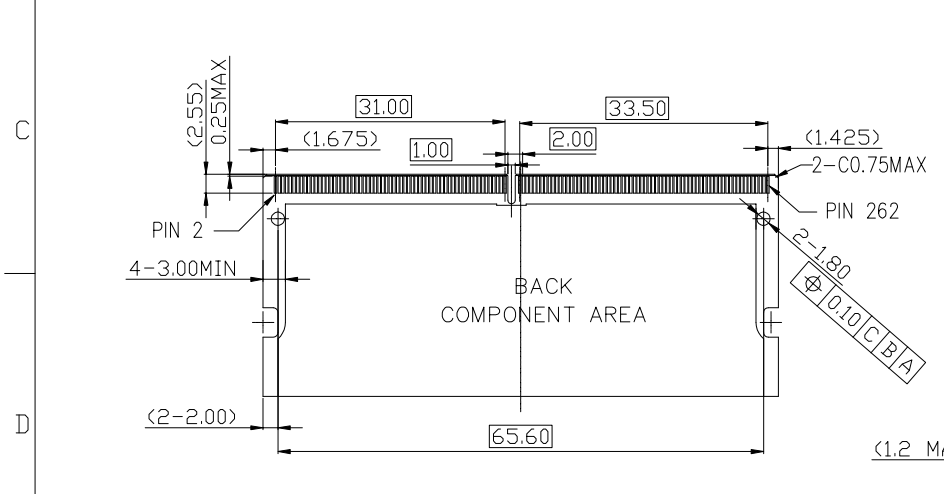
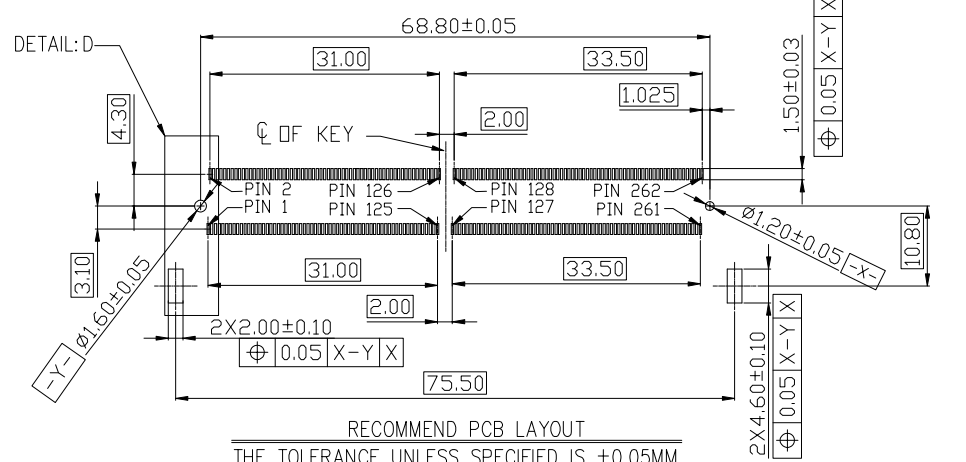
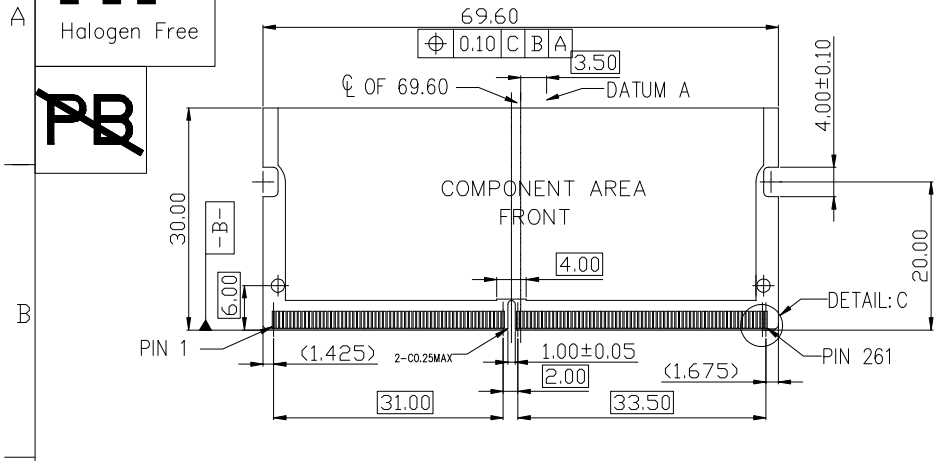
REV. X2

HF

Halogen Free



REV.	ECN NO.	LOCATION	DESCRIPTION	DATE	DESIGN
X1			INITIAL RELEASE	04/20'20	HC
X2			UPDATE DRAWING	12/02'20	HC



DETAIL:D
SCALE 2:1

DETAIL:C
SCALE 2:1

DIM	TOL	DIM	TOL
.x	±0.35	x.*	±3*
.xx	±0.25	.x*	±2*
.xxx	±0.15	.xx*	±1*

DEREN
SHENZHEN DEREN ELECTRONIC CO., LTD

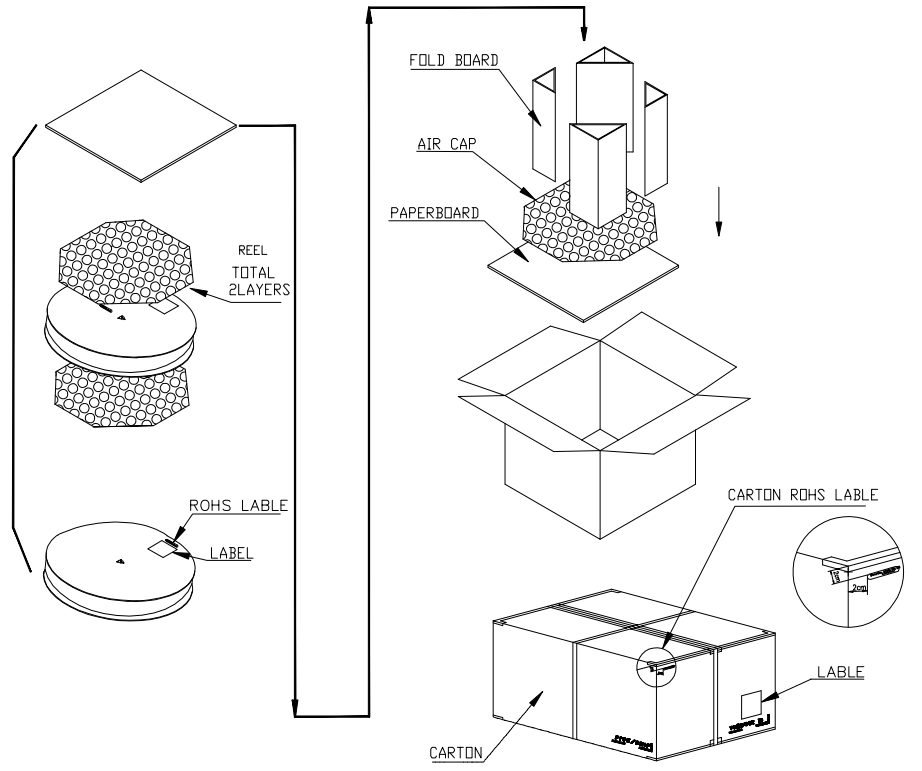
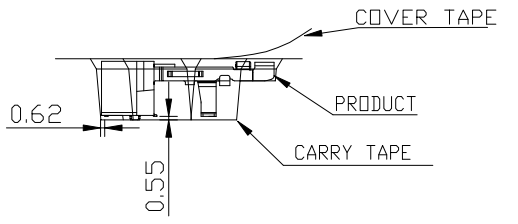
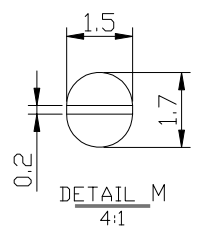
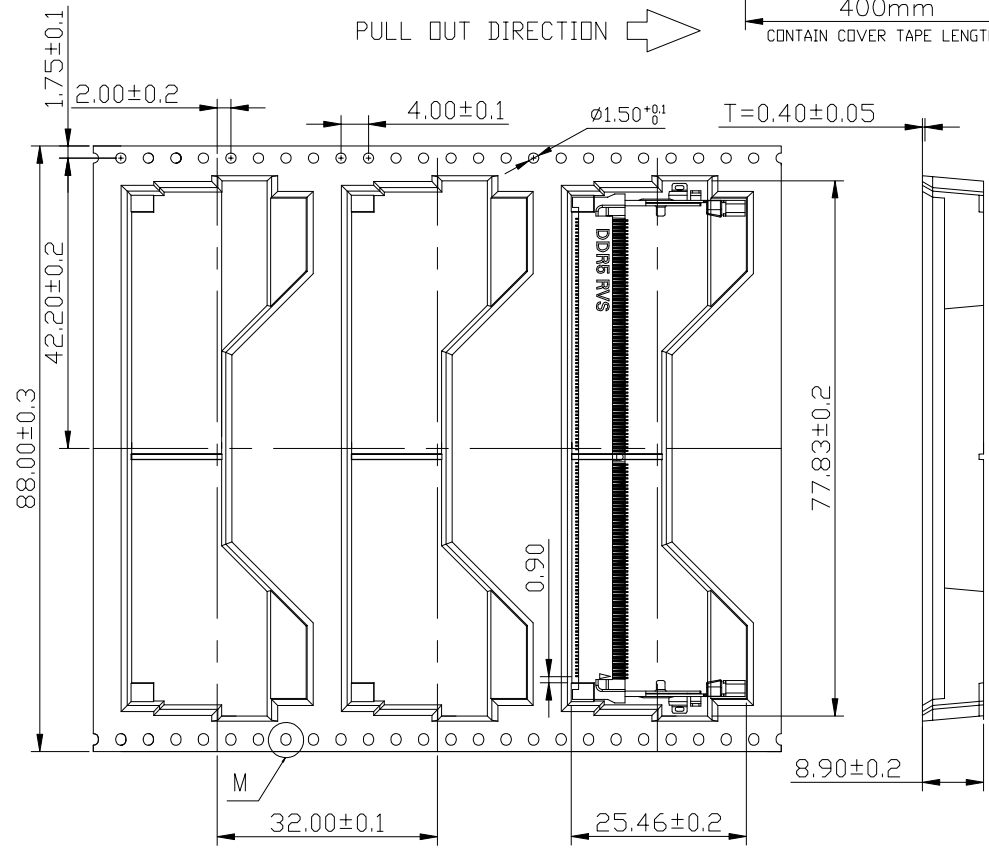
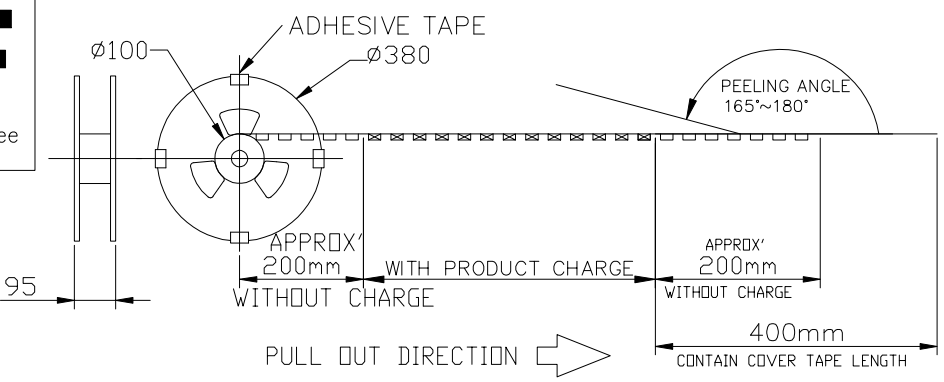
DRAW NO. SC2006740	DESIGN:	HC	DATE	12/02'20	TITLE: DDR5 SO DIMM 8.0H METALI LATCH RVS C DWG
	CHECK:				
REV.	X2	APPROVAL:			SHEET: 2/3
					SCALE: 1:1
					UNIT: mm

HF

Halogen Free



REV.	ECN NO.	LOCATION	DESCRIPTION	DATE	DESIGN
X1			INITIAL RELEASE	04/20'20	HC
X2			UPDATE DRAWING	12/02'20	HC



250	2	500	SEE P/N
PCS/REEL	REEL/CARTON	PCS/CARTON	PART NUMBER

DIM	TOL	DIM	TOL
x.	±0.20	x.'	±2'
.x	±0.15	.x'	±2'
.xx	±0.10	.xx'	±2'
.xxx	±0.05		



DEREN
SHENZHEN DEREN ELECTRONIC CO., LTD

DRAW NO. SC2006740	DESIGN:	HC	DATE	12/02'20	TITLE:	DDRS 50 DIMM 8.0H METALI LATCH RVS C DWG
	CHECK:				P/N:	SEE TABLE
REV.	X2	APPROVAL:			SHEET:	3/3
					SCALE:	1:1
					UNIT:	mm