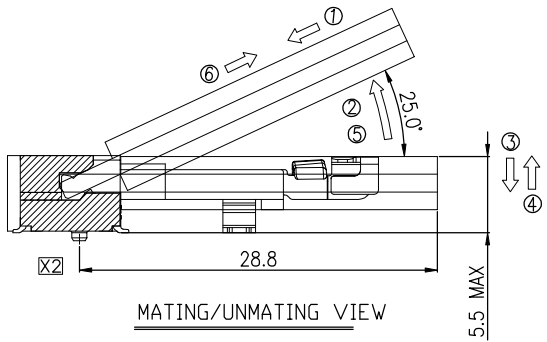
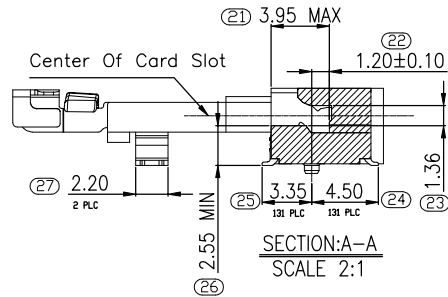
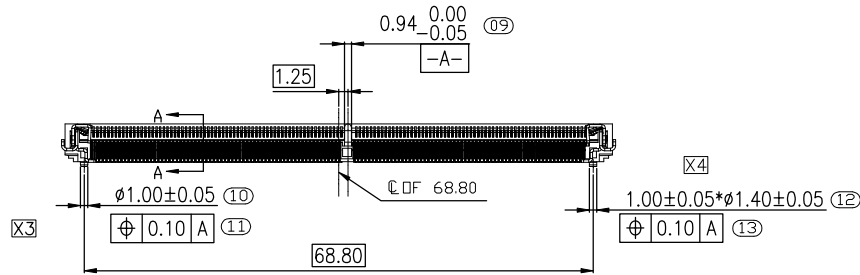
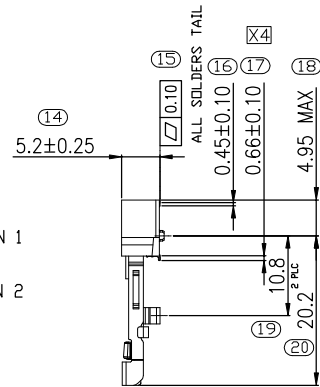
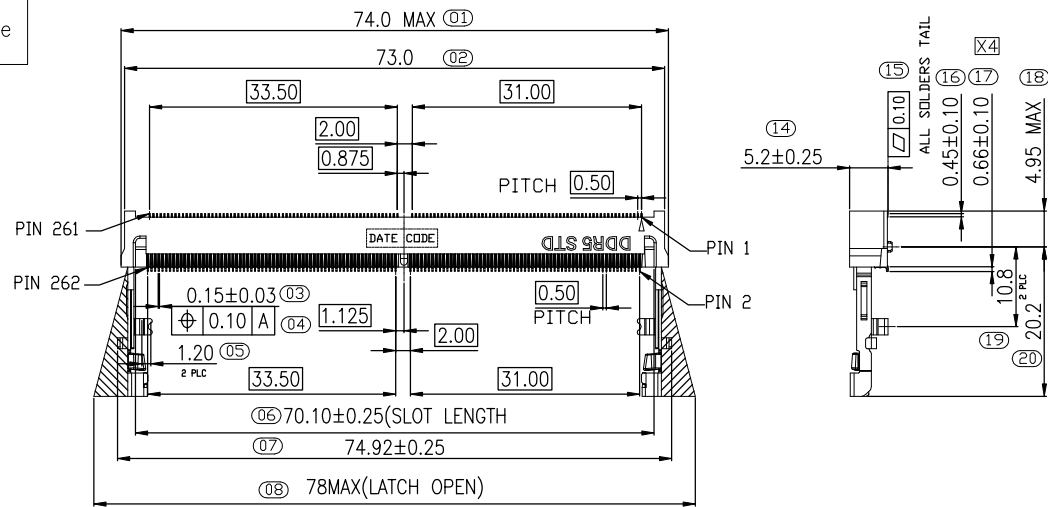


HF

Halogen Free



REV.	ECN NO.	LOCATION	DESCRIPTION	DATE	DESIGN
X1			INITIAL RELEASE	09/28'20	HC
X4		X4	UPDATE DIMENSION	03/25'22	MikeJiang

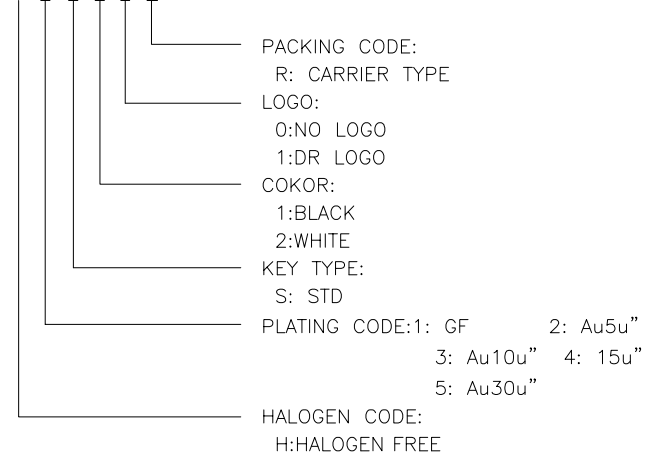


MATING: ①INSERTING(25°) → ②ROTATING → ③FIXED
 UNMATING: ④UNFIXED → ⑤ROTATING → ⑥WITHDRAWING

NOTES:

- MATERIAL:
 - 1.1 HOUSING:LCP,UL94V-0,COLOR:BLACK.
 - 1.2 CONTACT:PHOSPHOR BRONZE.
 - 1.3 LATCH:STAINLESS STEEL.
- FINISH:
 - 2.1 CONTACT: 50u" MIN NICKEL UNDERPLATED ALL OVER. GOLD FALSH PLATING ON SOLDER TAIL. GOLD PLATING (THICKNESS SEE TABLE 1) ON CONTACT AREA.
 - 2.2 SOLDER PEG: 50u" MIN NICKEL UNDERPLATED ALL OVER. 100u" MIN MATTE TIN PLATED ALL OVER.
- DATE CODE : YYWDX
 - YY : YEAR (09: 2009)
 - WW: WEEK (25: THE 25TH WEEK)
 - D : DAY (1~7: SUNDAY~SATURDAY)
 - XX : PRODUCTION CODE
- PART NUMBER DESCRIPTION:

567YD2-002H X S X X R



DEREN
 SHENZHEN DEREN ELECTRONIC CO., LTD

DIM	TOL	DIM	TOL
x.	±0.50	x.'	±3'
.x	±0.35	.x'	±2'
.xx	±0.25	.xx'	±1'
.xxx	±0.15		

DRAW NO.
 SC2006974
 REV. X4

CUSTOMER	DRAWING	DATE
DESIGN:	MikeJiang	03/25'22
CHECK:	Bill Lin	03/25'22
APPROVAL:	Bill Lin	03/25'22

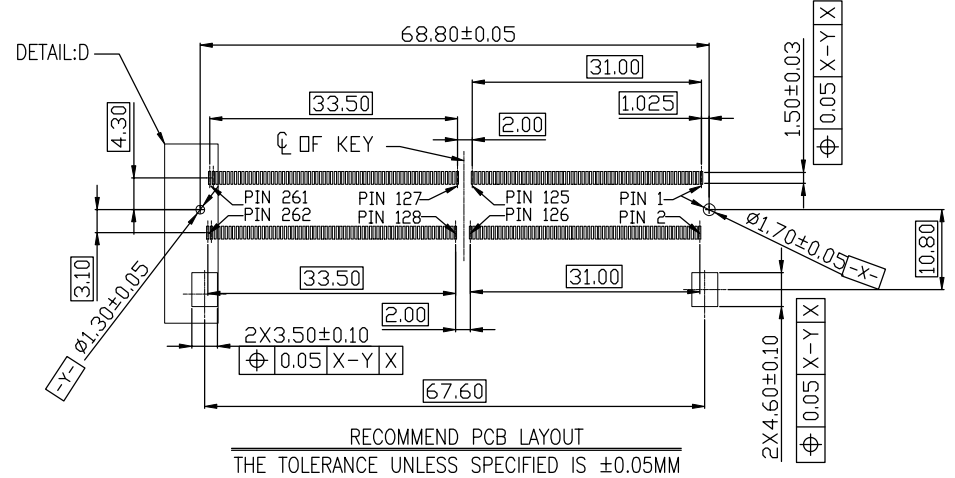
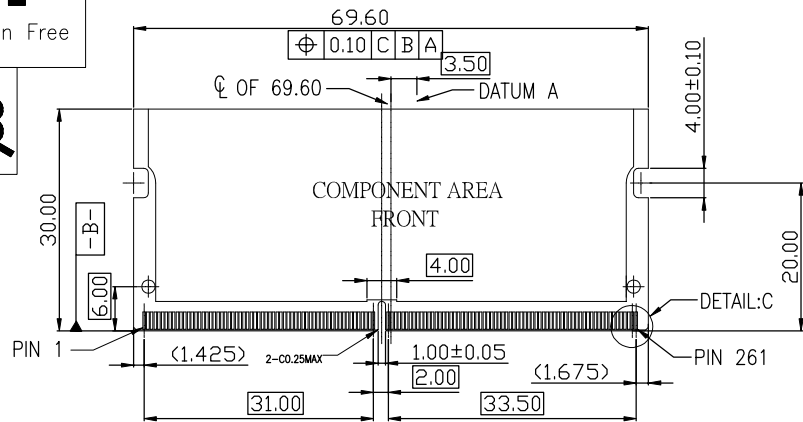
TITLE	P/N	SHEET	SCALE	UNIT
DDR5 SO DIMM 5.20H METAL LATCH STD	567YD2-002HXSXXR	1/3	1:1	mm

HF

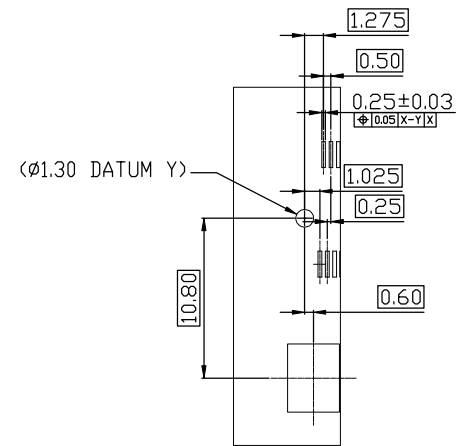
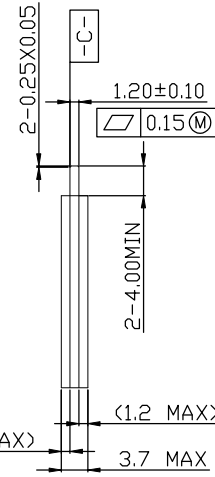
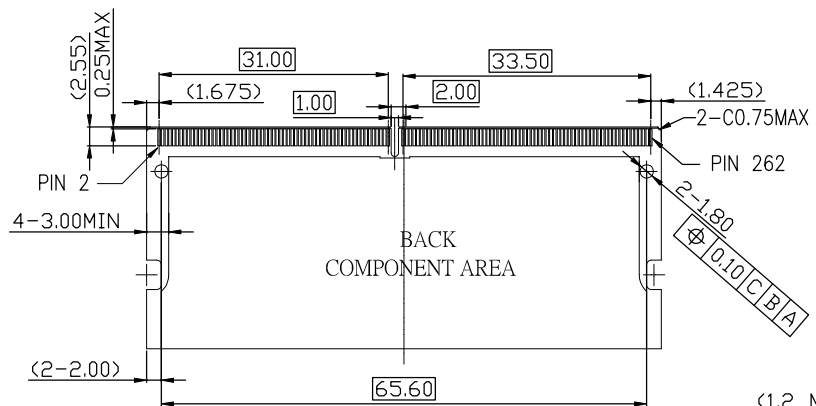
Halogen Free



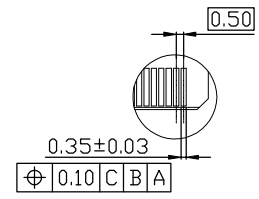
REV.	ECN NO.	LOCATION	DESCRIPTION	DATE	DESIGN
X1			INITIAL RELEASE	09/28'20	HC
X4		X4	UPDATE DIMENSION	03/25'22	MikeJiang



RECOMMEND PCB LAYOUT
 THE TOLERANCE UNLESS SPECIFIED IS ±0.05MM



DETAIL:D
 SCALE 2:1



DETAIL:C
 SCALE 2:1

DIM	TOL	DIM	TOL
.x	±0.35	x.'	±3'
.xx	±0.25	.x'	±2'
.xxx	±0.15	.xx'	±1'

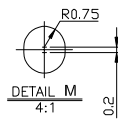
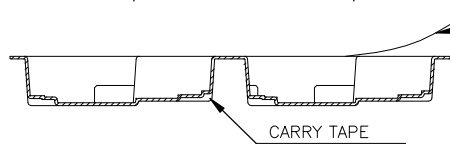
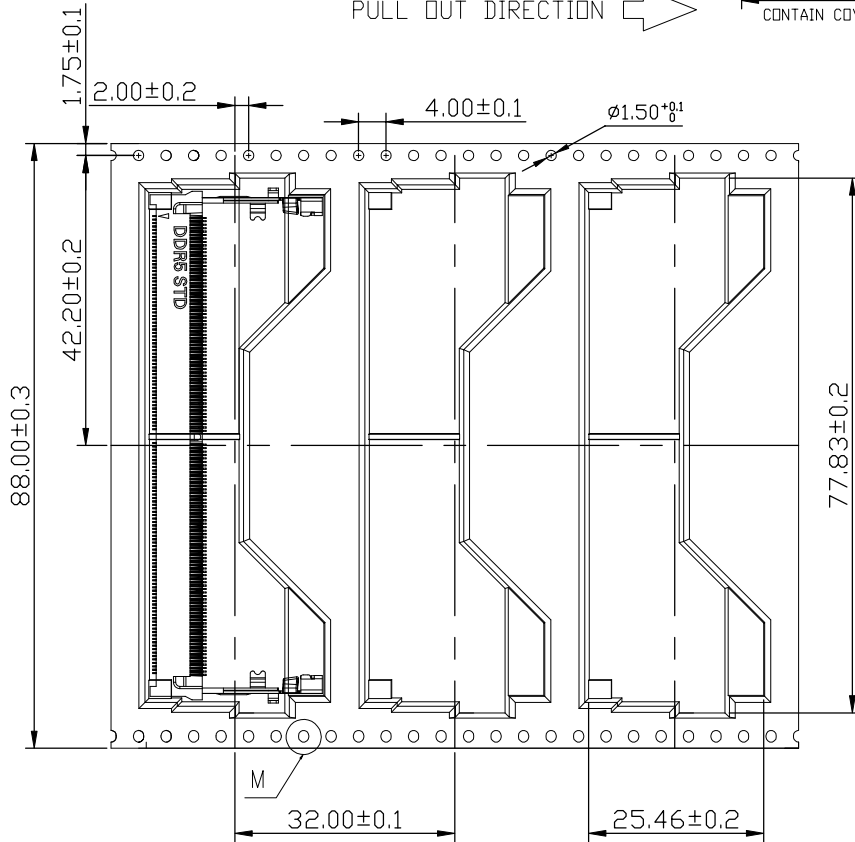
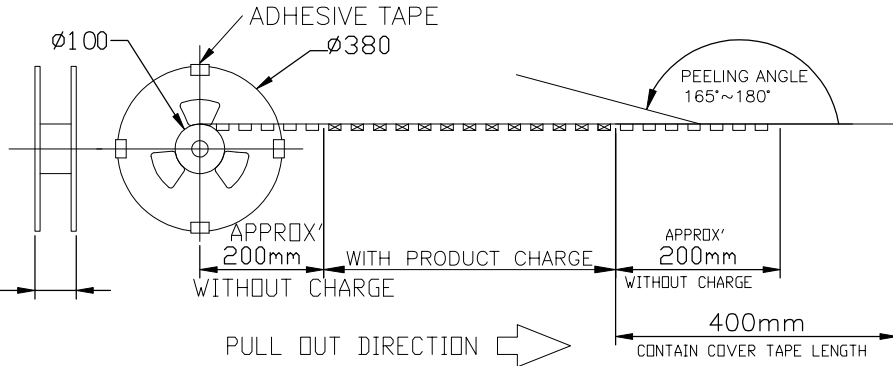
DEREN
 SHENZHEN DEREN ELECTRONIC CO., LTD

CUSTOMER DRAWING		DATE		TITLE: DDR5 SO DIMM 5.20H METAL LATCH STD	
DESIGN:	MikeJiang	03/25'22		P/N: 567YD2-002HXSXXR	
CHECK:	Bill Lin	03/25'22		SHEET: 2/3	
APPROVAL:	Bill Lin	03/25'22		SCALE: 1:1 UNIT: mm	

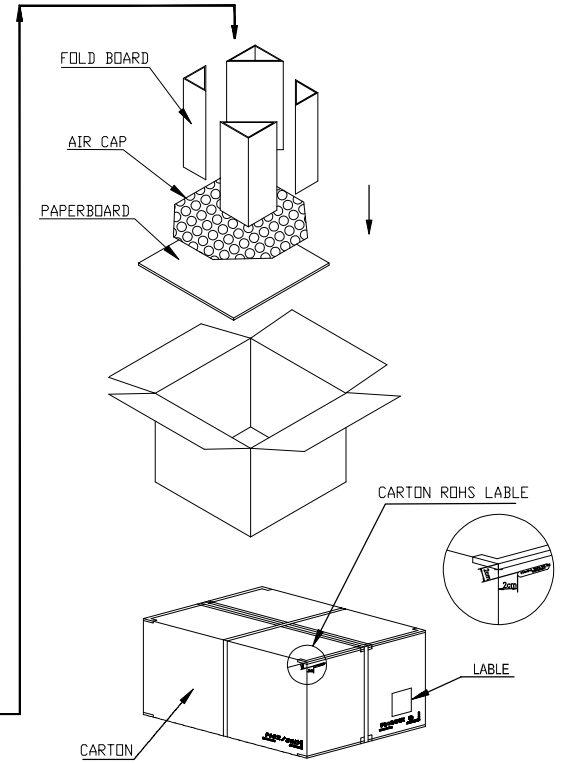
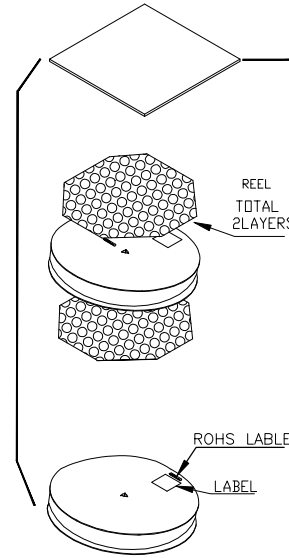
DRAW NO.
 SC2006974
 REV. X4

HF

Halogen Free



REV.	ECN NO.	LOCATION	DESCRIPTION	DATE	DESIGN
X1			INITIAL RELEASE	09/28'20	HC
X4		4	UPDATE DIMENSION	03/25'22	MikeJiang



PCS/REEL	REEL/CARTON	PCS/CARTON	PART NUMBER
400	2	800	567YD2-002HXSXXR

DIM	TOL	DIM	TOL
x.	±0.20	x.'	±2'
.x	±0.15	.x'	±2'
.xx	±0.10	.xx'	±2'
.xxx	±0.05		



DEREN
SHENZHEN DEREN ELECTRONIC CO., LTD

DRAW NO.	SC2006974
REV.	X4

CUSTOMER DRAWING	DESIGN: MikeJiang	DATE	03/25'22
CHECK: Bill Lin	APPROVAL: Bill Lin	03/25'22	03/25'22

TITLE:	DDRS SO DIMM 5.2H METAL LATCH STD
P/N:	567YD2-002HXSXXR
SHEET:	3/3
SCALE:	1:1
UNIT:	mm