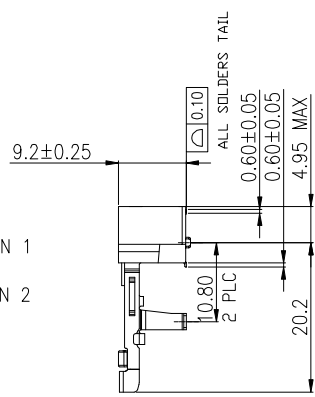
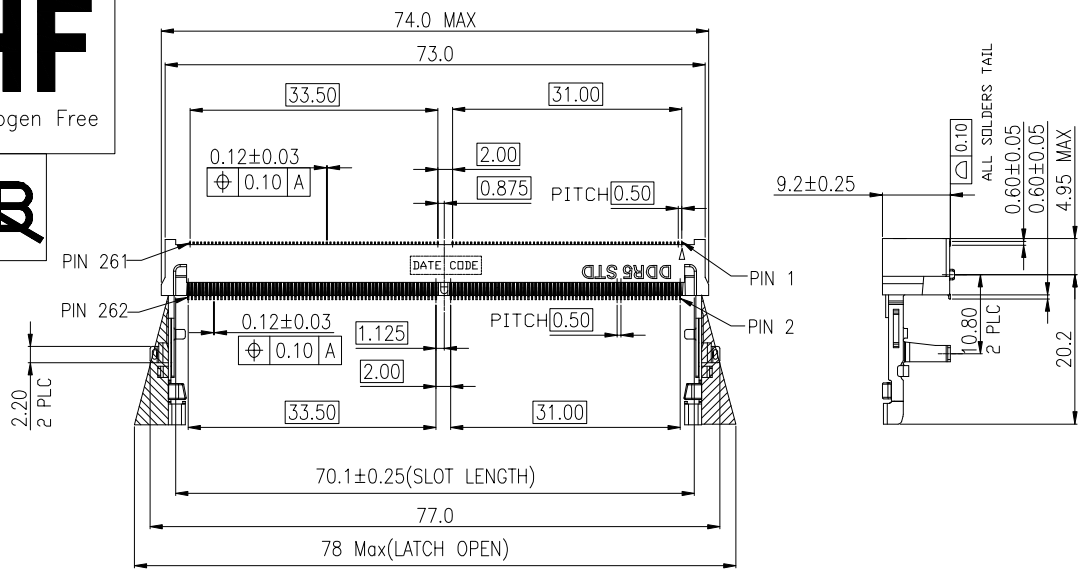


# HF

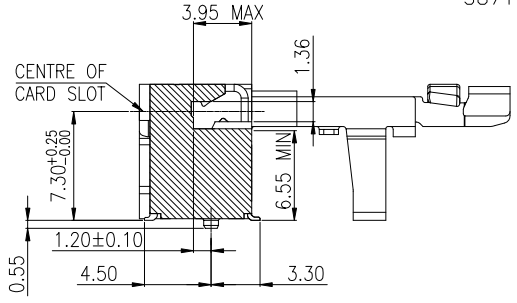
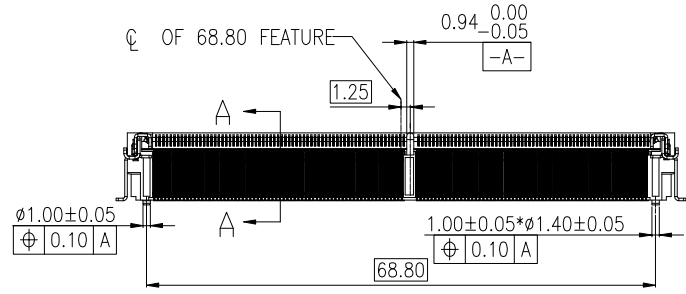
Halogen Free



ECN NO.	LOCATION	DESCRIPTION	DATE	DESIGN
X1		PRELIMINARY DRAWING	2022.04.06	HC



- NOTES:
- MATERIAL:
    - HOUSING:LCP,UL94V-0,COLOR:BLACK.
    - CONTACT:PHOSPHOR BRONZE.
    - LATCH:STAINLESS STEEL.
  - FINISH:
    - CONTACT:50u" MIN NICKEL UNDERPLATED ALL OVER.  
GOLD FALSH PLATING ON SOLDER TAIL.  
GOLD PLATING (THICKNESS SEE P/N) ON CONTACT AREA.
    - SOLDER PEG:  
50u" MIN NICKEL UNDERPLATED ALL OVER.  
100u" MIN MATTE TIN PLATING ENTIRE OVER.
  - DATE CODE :YYWWDLX  
 YY: YEAR (09: 2009)  
 WW: WEEK (25: THE 25TH WEEK)  
 D: DAY (1~7: SUNDAY~SATURDAY)  
 L: LINE NUMBER OF ASSEMBLY (A: LINE A)  
 X: MANUFACTURE CODE
  - RECOMMENDED STENCIL THICKNESS:0.12mm Min.
  - PART NUMBER DESCRIPTION:  
567YD2-004H X S X X R

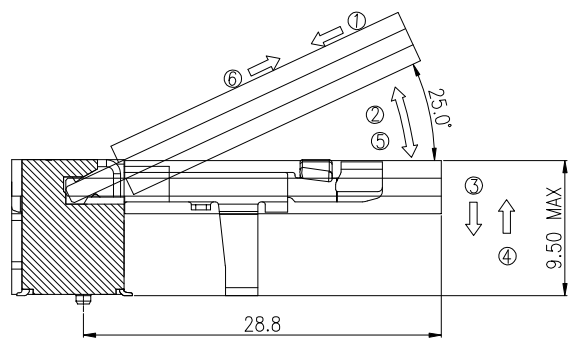


SECTION:A-A  
SCALE 2:1

- PACKING CODE:  
R:TAPE&REEL  
LOGO:  
0:NO LOGO  
1:DR LOGO  
COLOR:  
1:BLACK  
2:WHITE  
KEY TYPE:  
S:STD

- PLATING CODE:1: GF      2: Au5u"  
3: Au10u"      4:Au15u"  
5: Au30u"

HALOGEN CODE:  
H:HALOGEN FREE



MATING/UNMATING VIEW

- MATING: ① INSERTING(25°) → ② ROTATING → ③ FIXED  
UNMATING: ④ UNFIXED → ⑤ ROTATING → ⑥ WITHDRAWING

DIM	TOL	DIM	TOL
x.	±0.50	x.*	±3*
.x	±0.35	.x*	±2*
.xx	±0.25	.xx*	±1*
.xxx	±0.15		



**DEREN**  
SHENZHEN DEREN ELECTRONIC CO., LTD

CUSTOMER DRAWING	DATE	TITLE: DDR5 SO DIMM 262PIN 9.2H STD METAL LATCH C-DWG
DESIGN: HC	2022.04.06	P/N: 567YD2-004HXSXXR
CHECK:		SHEET: 1/3
APPROVAL:		SCALE: 1:1 UNIT: mm

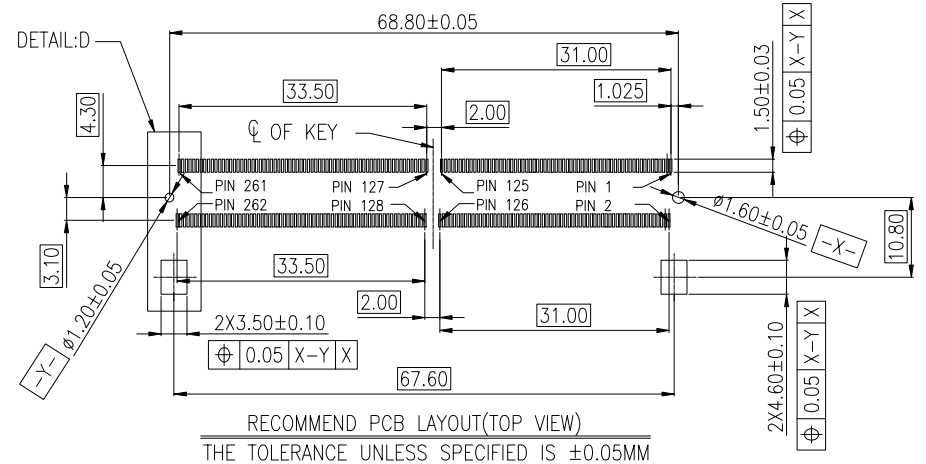
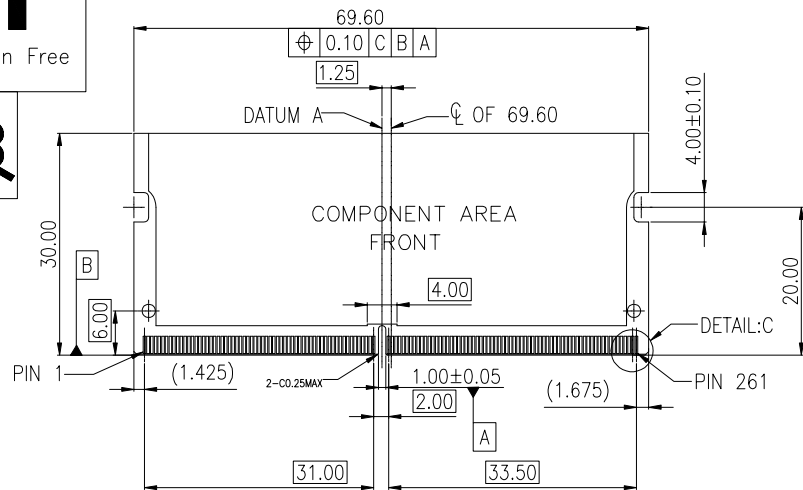
DRAW NO.	SC2107854
REV.	X1

# HF

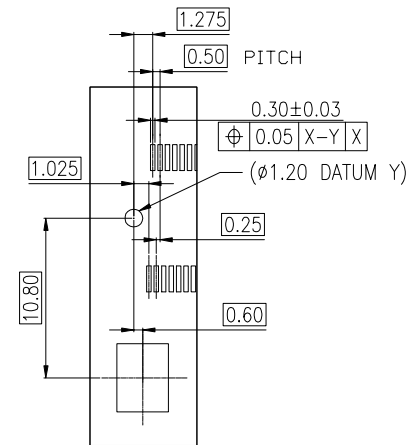
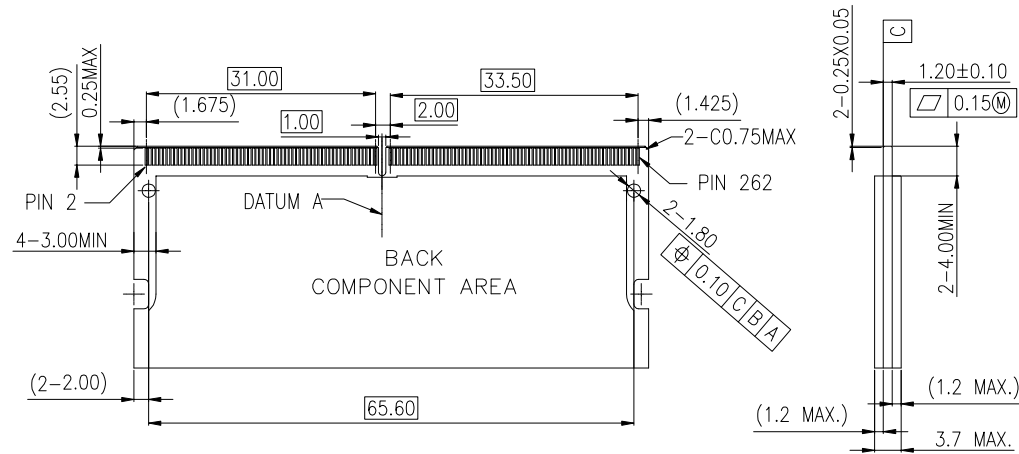
Halogen Free



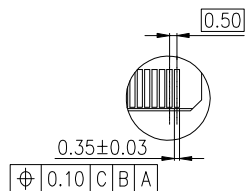
ECN NO.	LOCATION	DESCRIPTION	DATE	DESIGN
X1		PRELIMINARY DRAWING	2022.04.06	HC



RECOMMEND PCB LAYOUT(TOP VIEW)  
 THE TOLERANCE UNLESS SPECIFIED IS ±0.05MM



DETAIL:D  
 SCALE 2:1



DETAIL:C  
 SCALE 2:1

DIM	TOL	DIM	TOL
.x	±0.50	.x'	±3'
.x	±0.35	.x''	±2'
.xx	±0.25	.xx'	±1'
.xxx	±0.15		



**DEREN**  
 SHENZHEN DEREN ELECTRONIC CO., LTD

DRAW NO.  
 SC2107854

DESIGN: HC  
 DATE: 2022.04.06

CHECK:  
 APPROVAL:

TITLE: DDR5 SO DIMM 262PIN 9.2H STD METAL LATCH C-DWG

P/N: 567YD2-004HXSXR

SHEET: 2/3

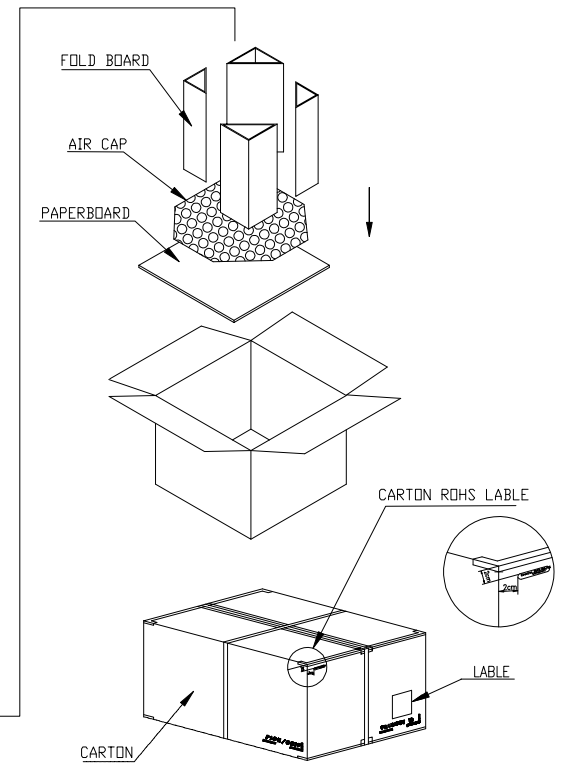
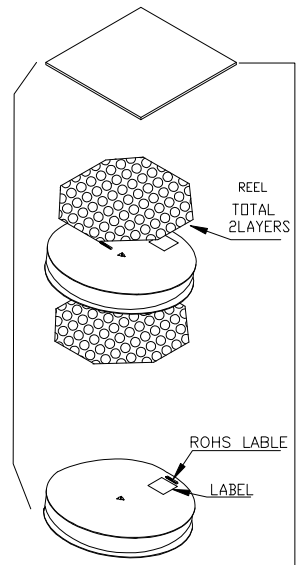
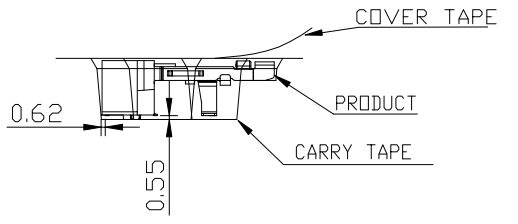
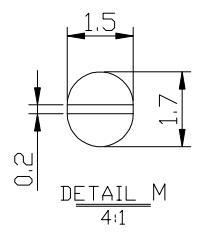
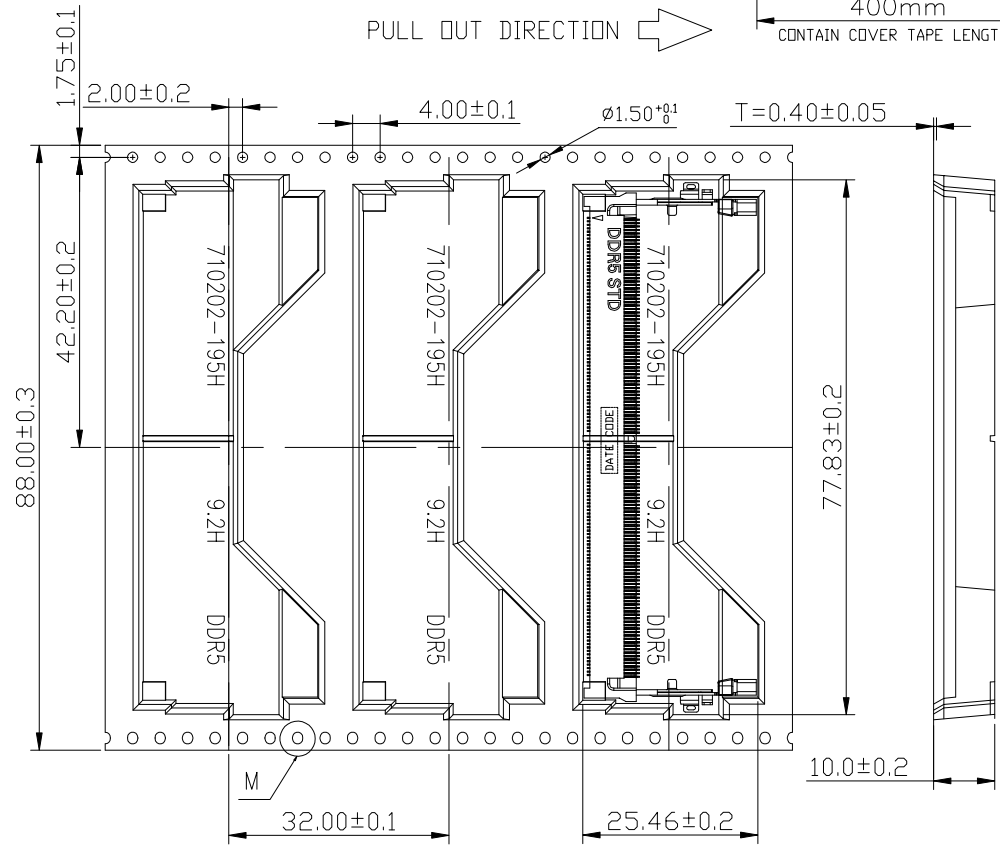
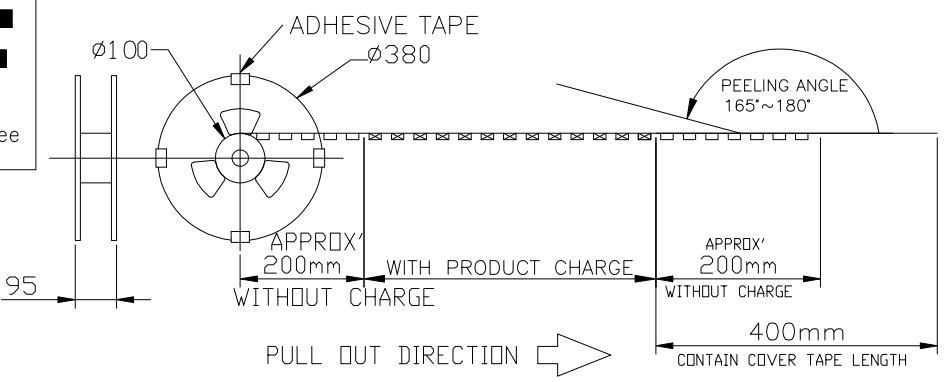
SCALE: 1:1 UNIT: mm

# HF

Halogen Free



ECN NO.	LOCATION	DESCRIPTION	DATE	DESIGN
X1		PRELIMINARY DRAWING	2022.04.06	HC



250 PCS/REEL	2 REEL/CARTON	500 PCS/CARTON	SEE P/N PART NUMBER
--------------	---------------	----------------	---------------------

DIM	TOL	DIM	TOL
x.	±0.50	x.'	±3'
.x	±0.35	.x'	±2'
.xx	±0.25	.xx'	±1'
.xxx	±0.15		



**DEREN**  
SHENZHEN DEREN ELECTRONIC CO., LTD

CUSTOMER DRAWING	DATE	TITLE: DDR5 SO DIMM 262PIN 9.2H STD METAL LATCH C-DWG
DESIGN: HC	2022.04.06	P/N: 567YD2-004HXSXXR
CHECK:		SHEET: 3/3
APPROVAL:		SCALE: 1:1 UNIT: mm

DRAW NO.	SC2107854
REV.	X1