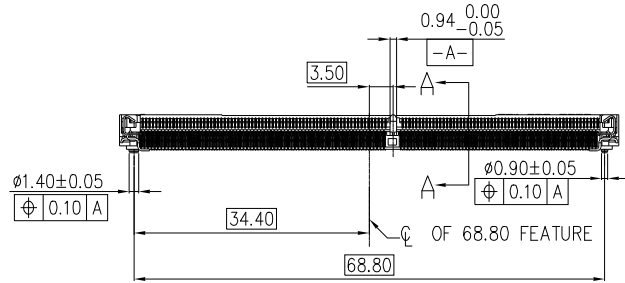
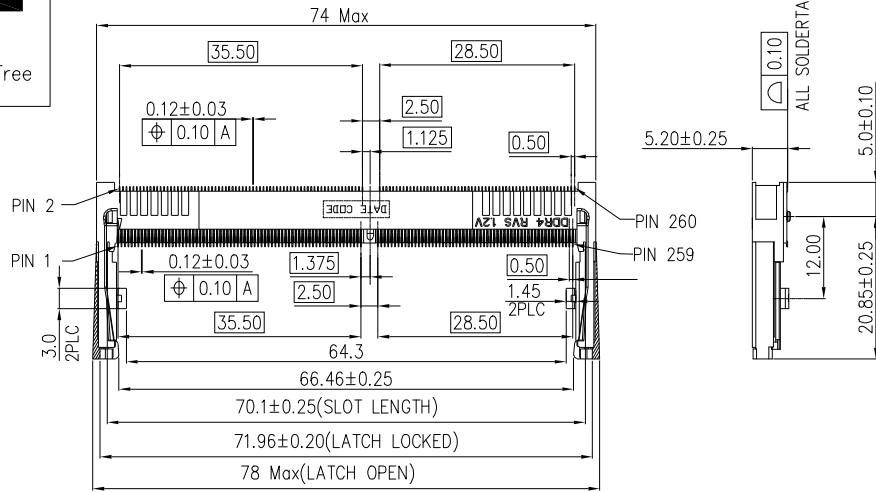


HF

Halogen Free



REV.	ECN NO.	LOCATION	DESCRIPTION	DATE	DESIGN
A2			REVISE	8/18'15	Wang.lie
B			REVISE	9/29'16	Wang.lie



NOTES:

1.MATERIAL:

- 1.1 HOUSING:LCP,UL94V-0,COLOR: BLACK.
- 1.2 CONTACT:PHOSPHOR BROZNE.
- 1.3 SOLDER PEG AND LATCH:STAINLESS STEEL.

2. FINISH:

- 2.1 CONTACT: 50u" MIN NICKEL UNDERPLATED ALL OVER. GOLD FLASH PLATING ON SOLDER TAIL. GOLD PLATING (THICKNESS SEE TABLE) ON CONTACT AREA.
- 2.2 SOLDER PEG: 50u" MIN NICKEL UNDERPLATED ALL OVER. AU 2u" MAX ON SOLDER TAIL.

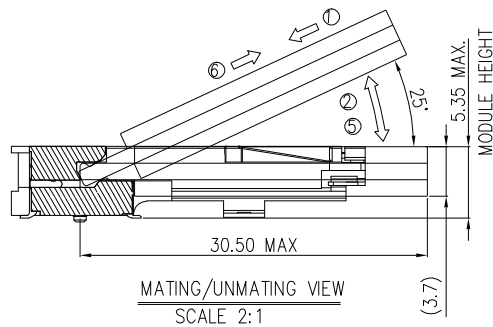
3. DATE CODE : YYWDLX

- YY: YEAR (09: 2009)
- WW: WEEK (25: THE 25TH WEEK)
- D: DAY (1~7: SUNDAY~SATURDAY)
- L: LINE NUMBER OF ASSEMBLY (A: LINE A)
- X: MANUFACTURE CODE

4. PART NUMBER DESCRIPTION:

40-42273-2600XRHF

- HALOGEN CODE: HF:HALOGEN FREE
- R: TAPE & REEL PACKING
- PLATING CODE: 1: GF 2: Au5u" 3: Au10u" 4: Au15u" 5: Au30u"
- RESERVED
- PIN NUMBER CODE: 260 PINS



MATING: ① INSERTING(25°) — ② ROTATING — ③ FIXED
 UNMATING: ④ UNFIXED — ⑤ ROTATING — ⑥ WITHDRAWING

TABLE 2

DIM	TOL	DIM	TOL
30u" Au	40-42273-26005RHF	.x	±0.35
15u" Au	40-42273-26004RHF	.xx	±0.25
10u" Au	40-42273-26003RHF		
5u" Au	40-42273-26002RHF	.xxx	±0.15
GF	40-42273-26001RHF		
PLATING THICKNESS	DEREN P/N		



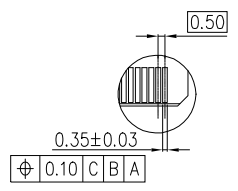
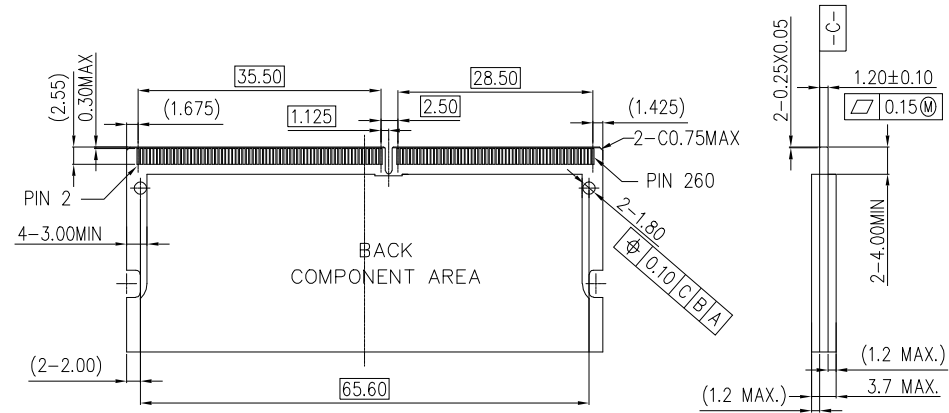
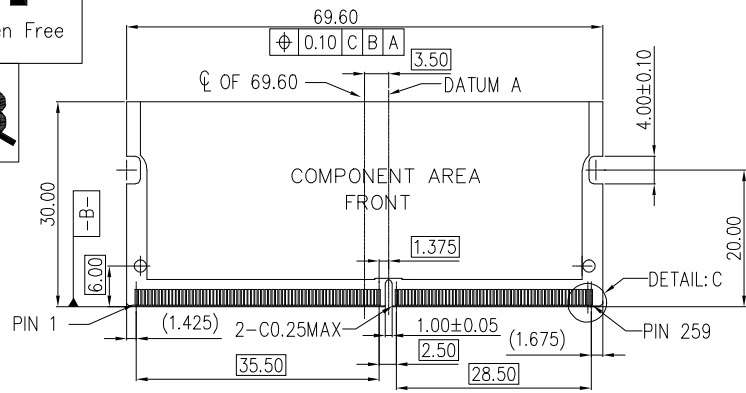
DEREN
 SHENZHEN DEREN ELECTRONIC CO., LTD

CUSTOMER DRAWING	DATE	TITLE: DDR4 SD DIMM 260P 5.2H RVS C-DWG
DESIGN: Wang.lie	9/29'16	P/N: SEE TABLE 2
CHECK: Bill.lin	9/29'16	SHEET: 1/3
REV. B	APPROVAL: Bill.lin	9/29'16
		SCALE: 1:1 UNIT: mm

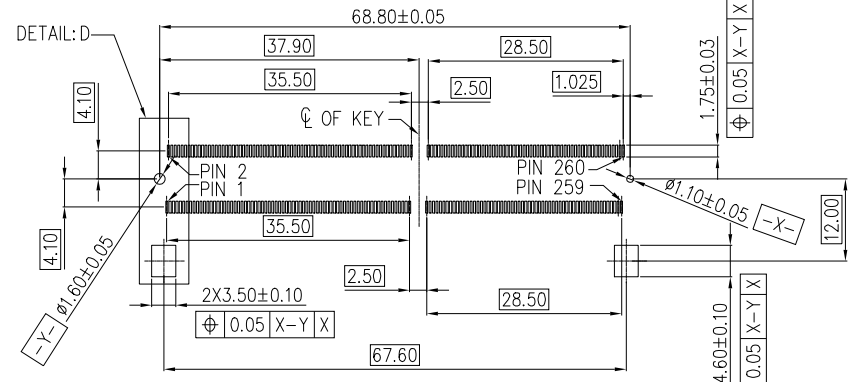
HF
Halogen Free



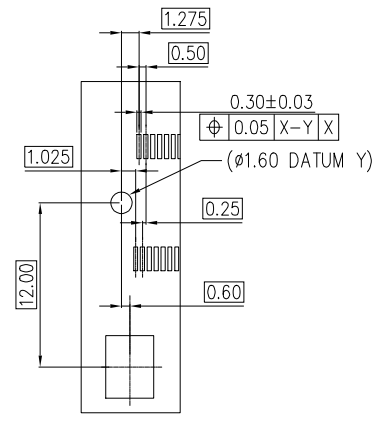
REV.	ECN NO.	LOCATION	DESCRIPTION	DATE	DESIGN
A2			REVISE	8/18'15	Wang.lie
B			REVISE	9/29'16	Wang.lie



DETAIL: C
SCALE 2:1



RECOMMEND PCB LAYOUT
THE TOLERANCE UNLESS SPECIFIED IS ±0.05MM

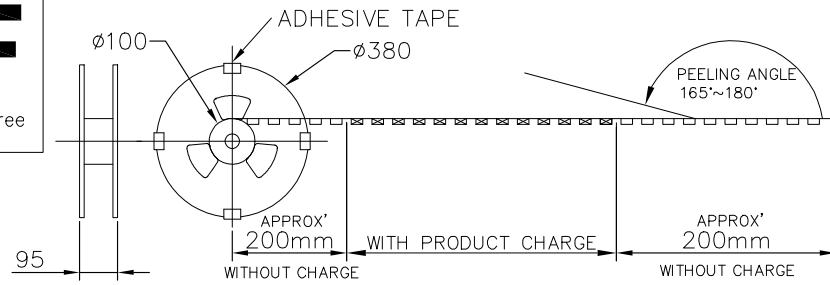


DETAIL: D
SCALE 2:1

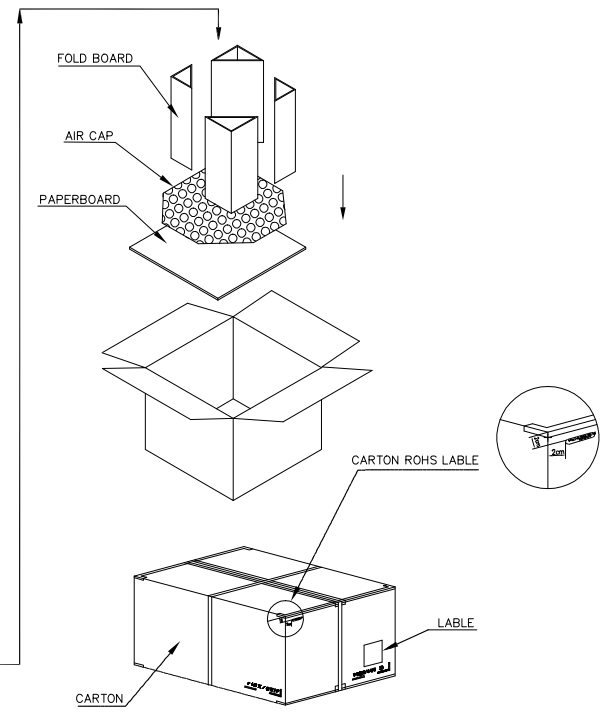
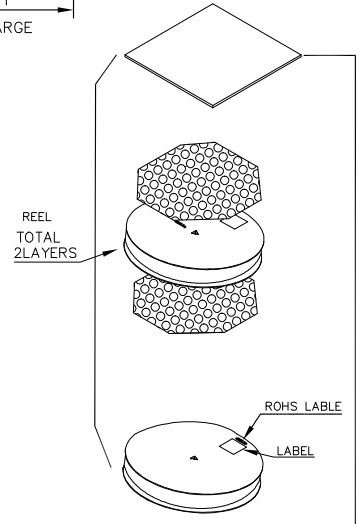
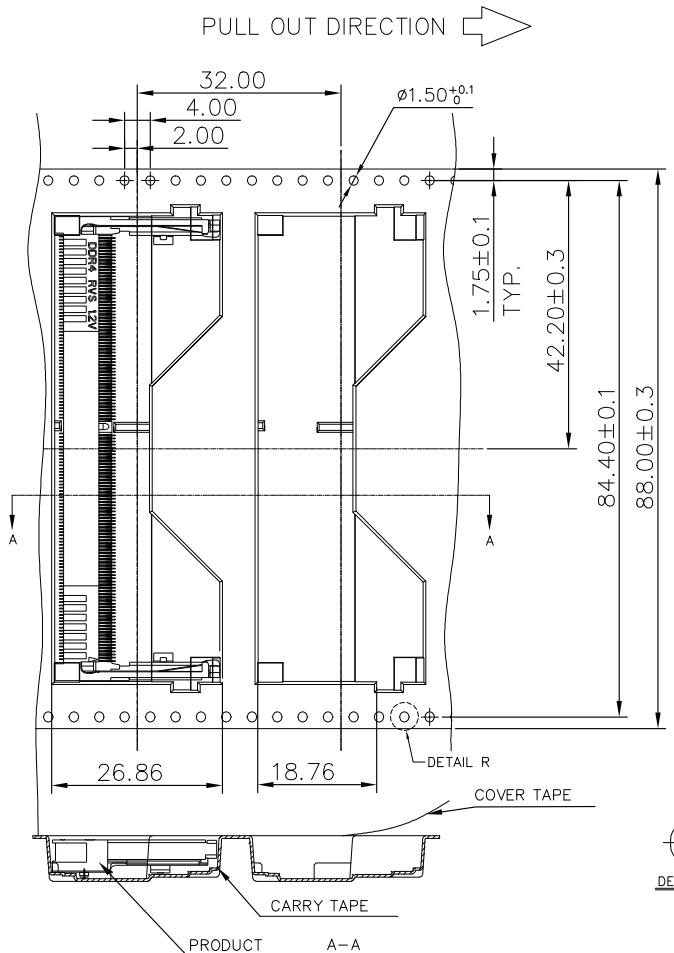
DIM	TOL	DIM	TOL	DEREN SHENZHEN DEREN ELECTRONIC CO., LTD	
.x	±0.35	x'	±3'	CUSTOMER DRAWING	DATE
.xx	±0.25	.x'	±2'	DESIGN: Wang.lie	9/29'16
.xxx	±0.15	.xx'	±1'	CHECK: Bill.lin	9/29'16
				APPROVAL: Bill.lin	9/29'16
DRAW NO. T-15-0257				TITLE: DDR4 SD DIMM 260P 52H RVS C-DWG	
REV. B				P/N: SEE TABLE 2	
				SHEET: 2/3	
				SCALE: 1:1 UNIT: mm	

HF

Halogen Free



REV.	ECN NO.	LOCATION	DESCRIPTION	DATE	DESIGN
A2			REVISE	8/18'15	Wang.lie
B			REVISE	9/29'16	Wang.lie



400	2	800	40-42273-2600XRHF
PCS/REEL	REEL/CARTON	PCS/CARTON	PART NUMBER

DIM	TOL	DIM	TOL
.x	±0.35	x.'	±3'
.xx	±0.25	.x'	±2'
.xxx	±0.15	.xx'	±1'



DEREN
SHENZHEN DEREN ELECTRONIC CO., LTD

DRAW NO. T-15-0257	DESIGN: Wang.lie	DATE: 9/29'16	TITLE: DDR4 SD DIMM 260P 5.2H RVS C-DWG
REV. B	CHECK: Bill.lin	DATE: 9/29'16	P/N: SEE TABLE 2
APPROVAL: Bill.lin	DATE: 9/29'16	SHEET: 3/3	UNIT: mm

