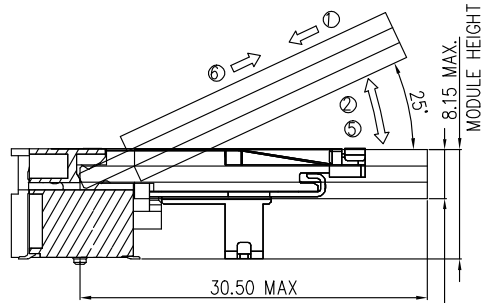
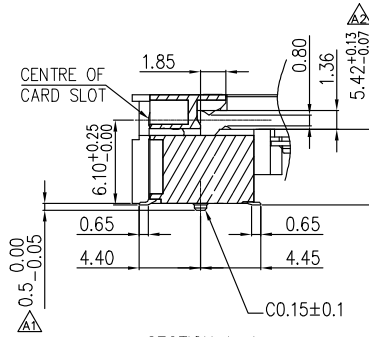
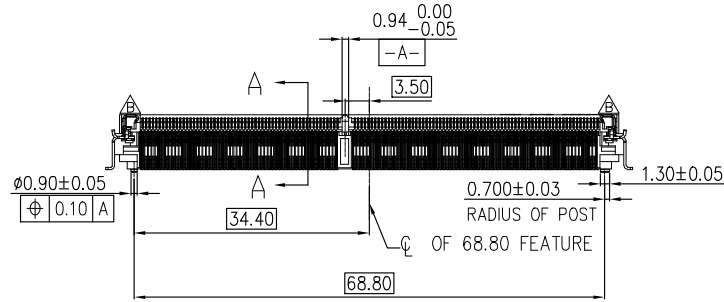
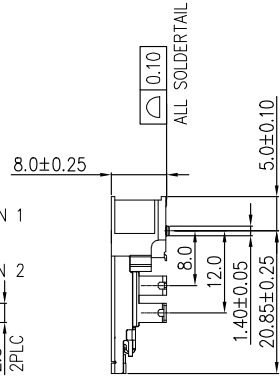
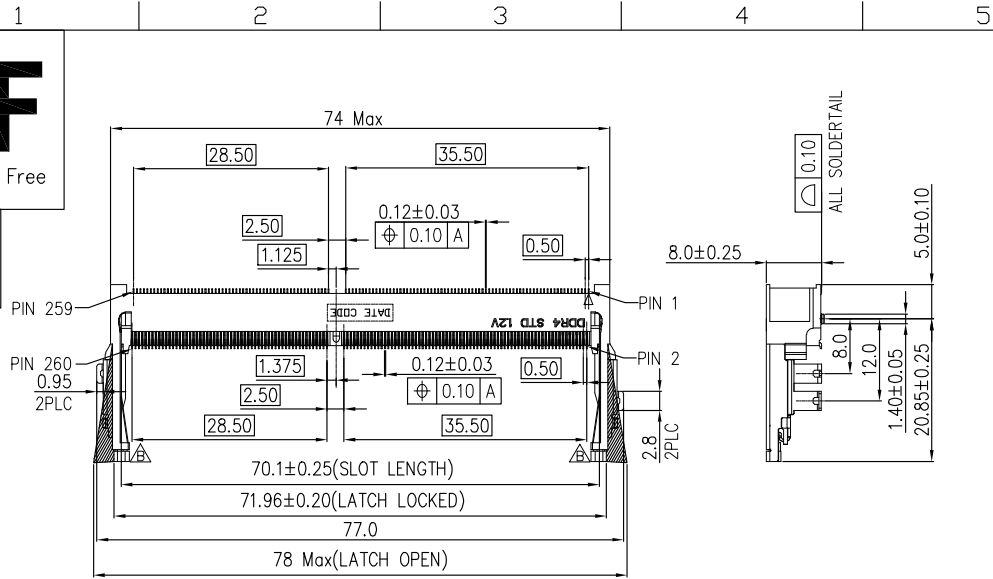


# HF

Halogen Free



MATING/UNMATING VIEW  
SCALE: 2:1

MATING: ① INSERTING(25°) — ② ROTATING — ③ FIXED  
UNMATING: ④ UNFIXED — ⑤ ROTATING — ⑥ WITHDRAWING

REV.	ECN NO.	LOCATION	DESCRIPTION	DATE	DESIGN
A3			REVISE	08/17'15	Liushifeng
B		△	改善刮手及变更电镀镍的膜厚	10/27'16	Liushifeng

NOTES:

- MATERIAL:
  - HOUSING:LCP,UL 94V-0,COLOR: BLACK.
  - CONTACT:PHOSPHOR BRONZE.
  - SOLDER PEG AND LATCH:STAINLESS STEEL.
- FINISH:
  - CONTACT: 90u" MIN NICKEL UNDERPLATED ALL OVER. GOLD FALSH PLATING ON SOLDER TAIL. GOLD PLATING (THICKNESS SEE TABLE) ON CONTACT AREA.
  - SOLDER PEG: 50u" MIN NICKEL UNDERPLATED ALL OVER. AU 2u" MAX ON SOLDER TAIL.
- DATE CODE : YYWWDLX  
 YY: YEAR (09: 2009)  
 WW: WEEK (25: THE 25TH WEEK)  
 D: DAY (1~7: SUNDAY~SATURDAY)  
 L: LINE NUMBER OF ASSEMBLY (A: LINE A)  
 X: MANUFACTURE CODE
- PART NUMBER DESCRIPTION:  
 40-42274-2600XRHF

- HALOGEN CODE:  
 HF:HALOGEN FREE  
 R: TAPE & REEL PACKING
- PLATING CODE:  
 1: GF 2: Au5u" 3: Au10u"  
 4: Au15u" 5: Au30u"  
 0: DR LGD  
 1: NO LGD
- PIN NUMBER CODE: 260 PINS

TABLE 2

DIM	TOL	DIM	TOL
30u" Au	40-42274-26005RHF	.x	±0.35
15u" Au	40-42274-26004RHF	.xx	±0.25
10u" Au	40-42274-26003RHF		
5u" Au	40-42274-26002RHF	.xxx	±0.15
GF	40-42274-26001RHF		
PLATING THICKNESS	DEREN P/N		



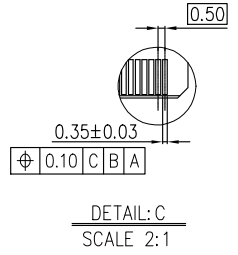
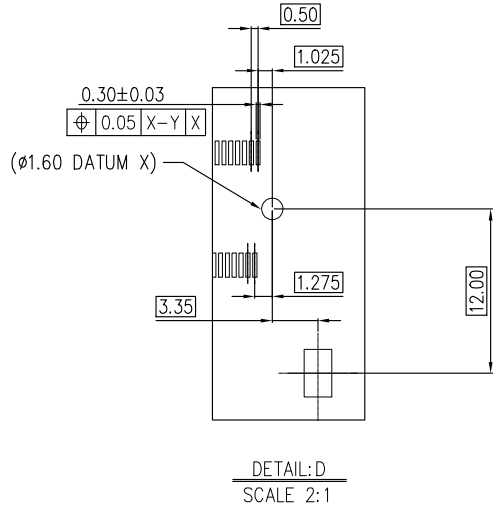
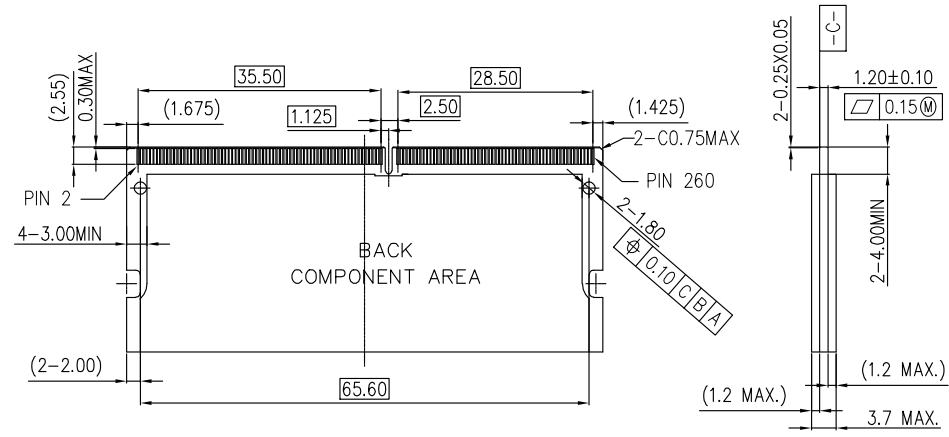
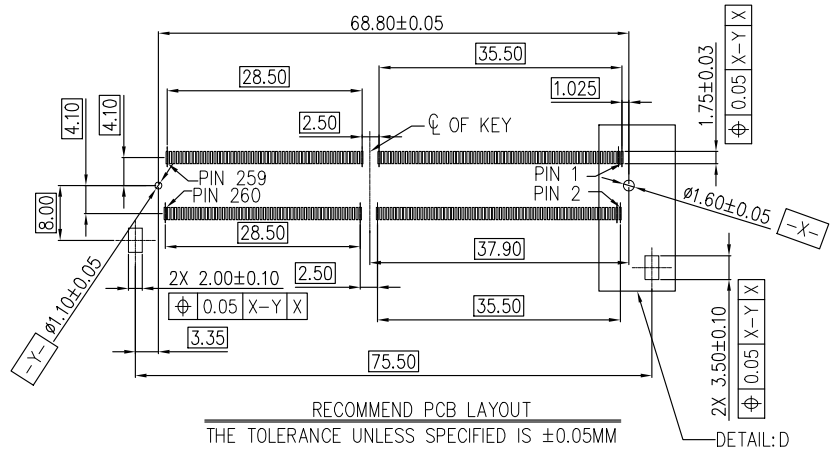
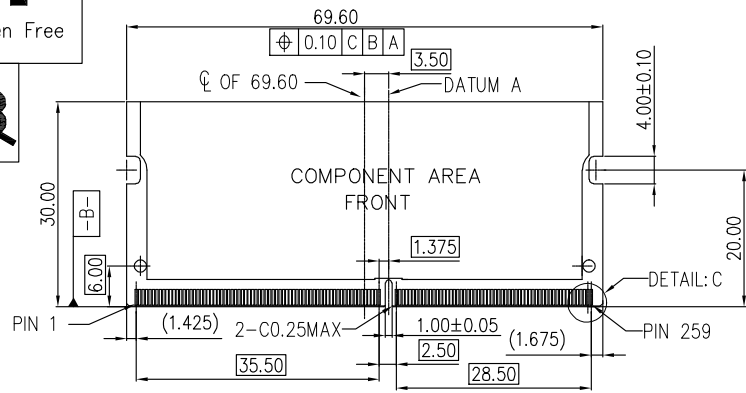
**DEREN**  
SHENZHEN DEREN ELECTRONIC CO., LTD

CUSTOMER DRAWING	DATE	TITLE: DDR4 SO DIMM 260P 8.0H STD C-DWG
DESIGN: Liushifeng	10/27'16	P/N: SEE TABLE 2
CHECK:		SHEET: 1/3
REV. B	APPROVAL: Bill.Jin	10/27'16
		SCALE: 1:1 UNIT: mm

**HF**  
Halogen Free



REV.	ECN NO.	LOCATION	DESCRIPTION	DATE	DESIGN
A3			REVISE	08/17'15	Liushifeng
B		$\triangle B$	改善刮手及变更电镀镍的膜厚	10/27'16	Liushifeng



DIM	TOL	DIM	TOL
.x	$\pm 0.35$	x'	$\pm 3'$
.xx	$\pm 0.25$	.x'	$\pm 2'$
.xxx	$\pm 0.15$	.xx'	$\pm 1'$



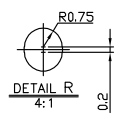
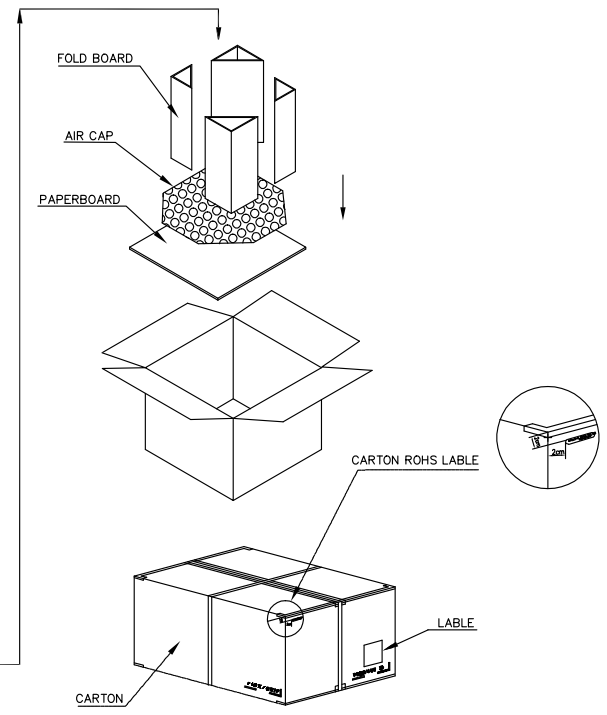
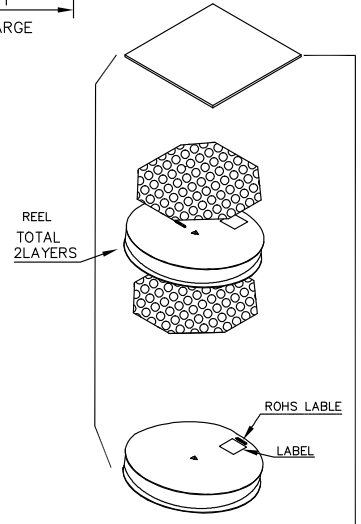
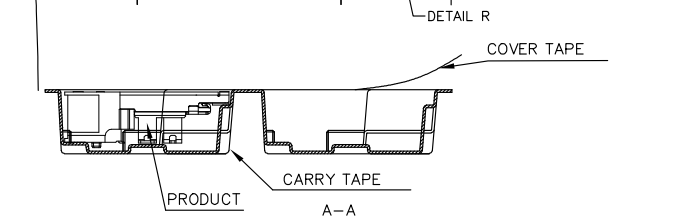
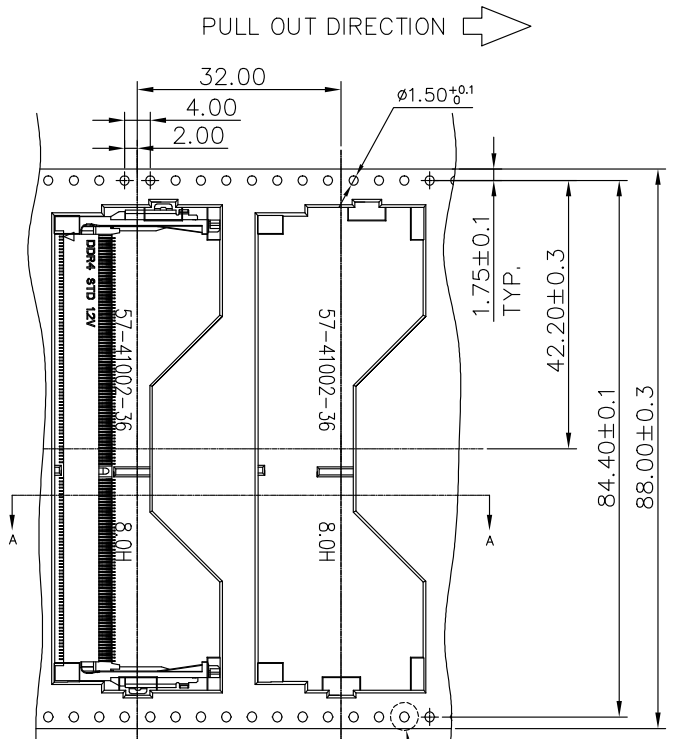
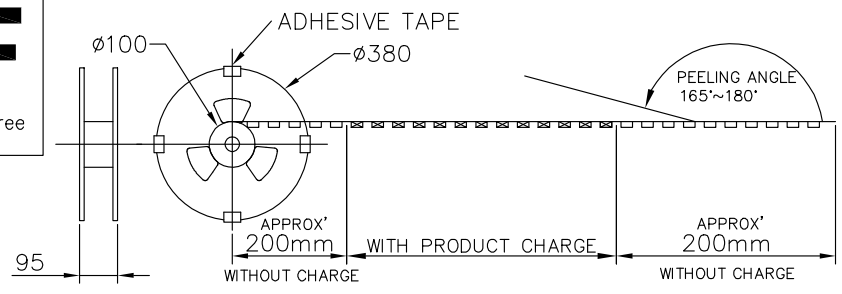
<b>DEREN</b>		SHENZHEN DEREN ELECTRONIC CO., LTD	
CUSTOMER DRAWING	DATE	TITLE: DDR4 SO DIMM 260P 8.0H STD C-DWG	
DESIGN: Liushifeng	10/27'16	P/N: SEE TABLE 2	
CHECK:		SHEET: 2/3	
REV. B	APPROVAL: Bill.Jin	10/27'16	SCALE: 1:1 UNIT: mm

**HF**

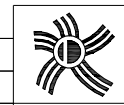
Halogen Free



REV.	ECN NO.	LOCATION	DESCRIPTION	DATE	DESIGN
A3			REVISE	08/17'15	Liushifeng
B			改善刮手及变更电镀镍的膜厚	10/27'16	Liushifeng



DIM	TOL	DIM	TOL
.x	±0.35	x.	±3'
.xx	±0.25	.x'	±2'
.xxx	±0.15	.xx'	±1'



**DEREN**  
SHENZHEN DEREN ELECTRONIC CO., LTD

250 PCS/ REEL	2 REEL/ CARTON	500 PCS/ CARTON	40-42274-2600XRHF PART NUMBER
DRAW NO. T-15-0258		DATE: 10/27'16	TITLE: DDR4 SO DIMM 260P 8.0H STD C-DWG
DESIGN: Liushifeng	CHECK:	APPROVAL: Bill.lin	P/N: SEE TABLE 2
REV. B	APPROVAL: Bill.lin	DATE: 10/27'16	SHEET: 3/3
			SCALE: 1:1 UNIT: mm