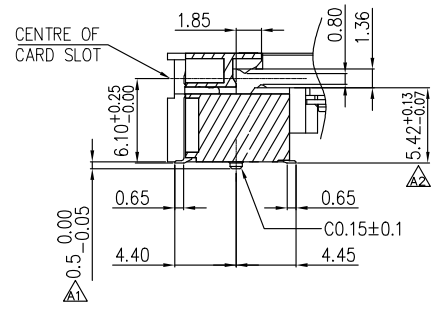
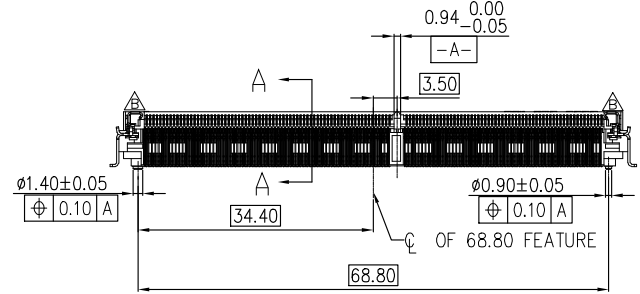
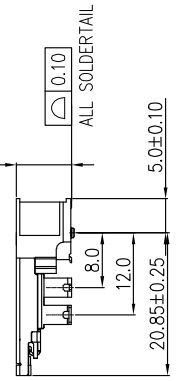
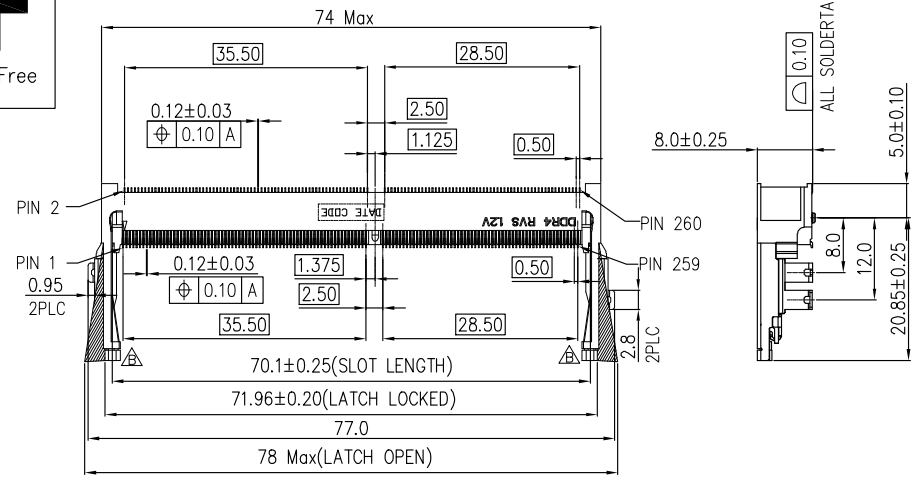


# HF

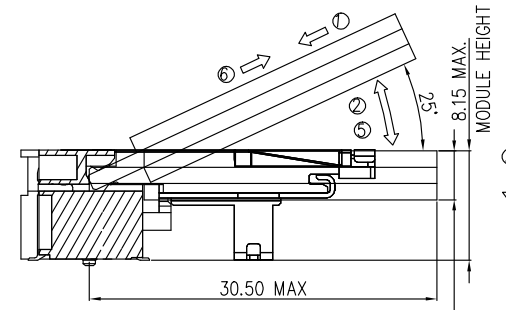
Halogen Free



REV.	ECN NO.	LOCATION	DESCRIPTION	DATE	DESIGN
A3			REVISE	08/17'15	Liushifeng
B			改善刮手及变更电镀镀膜的膜厚	10/27'16	Liushifeng



SECTION: A-A  
SCALE 2:1



MATING: ①INSERTING(30°) → ②ROTATING → ③FIXED  
UNMATING: ④UNFIXED → ⑤ ROTATING → ⑥ WITHDRAWING

NOTES:  
1.MATERIAL:  
1.1 HOUSING:LCP,UL94V-0,COLOR:BLACK.  
1.2 CONTACT:PHOSPHOR BRONZE.  
1.3 SOLDER PEG AND LATCH:STAINLESS STEEL.  
2. FINISH:  
2.1 CONTACT: 90u" MIN NICKEL UNDERPLATED ALL OVER.  
GOLD FALSH PLATING ON SOLDER TAIL.  
GOLD PLATING (THICKNESS SEE TABLE) ON CONTACT AREA.  
2.2 SOLDER PEG:  
50u" MIN NICKEL UNDERPLATED ALL OVER.  
AU 2u" MAX ON SOLDER TAIL.  
3. DATE CODE : YYWWDX  
YY: YEAR (09: 2009)  
WW: WEEK (25: THE 25TH WEEK)  
D: DAY (1~7: SUNDAY~SATURDAY)  
L: LINE NUMBER OF ASSEMBLY (A: LINE A)  
X: D OR N (D: DAY; N: NIGHT)  
4. PART NUMBER DESCRIPTION:  
40-42275-2600XRHF

HALOGEN CODE:  
HF:HALOGEN FREE  
R: TAPE & REEL PACKING  
PLATING CODE:  
1: GF 2: Au5u" 3: Au10u"  
4: Au15u" 5: Au30u"  
0: DR LOGD  
1: NO LOGD  
PIN NUMBER CODE: 260 PINS

TABLE 2

DIM	TOL	DIM	TOL
30u" Au	40-42275-26005RHF	.x	±0.35
15u" Au	40-42275-26004RHF	.xx	±0.25
10u" Au	40-42275-26003RHF	.x'	±2'
5u" Au	40-42275-26002RHF	.xxx	±0.15
GF	40-42275-26001RHF	.xx'	±1'
PLATING THICKNESS	DEREN P/N		



**DEREN**  
SHENZHEN DEREN ELECTRONIC CO., LTD

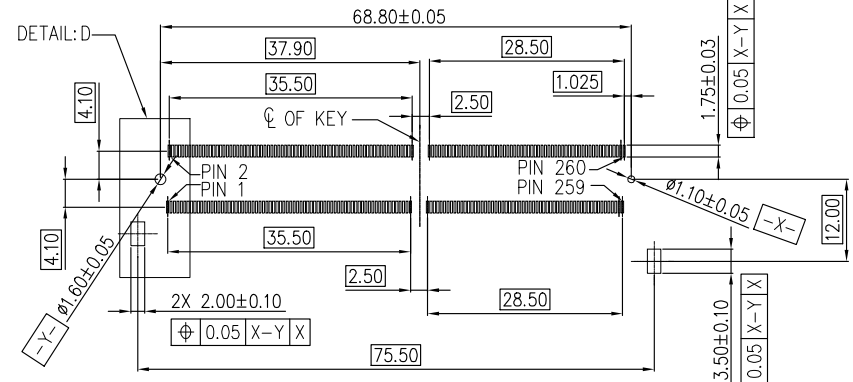
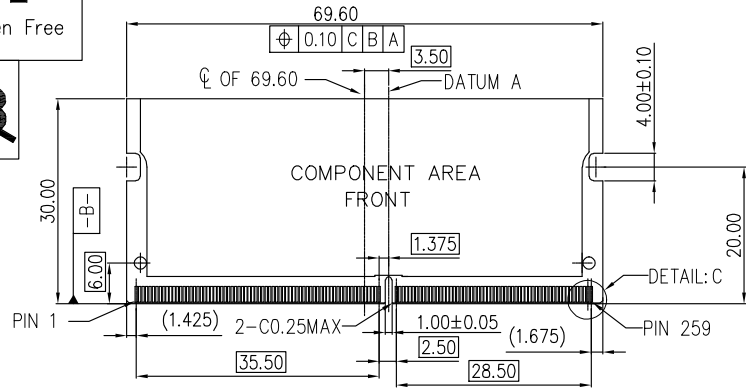
CUSTOMER DRAWING	DATE	TITLE: DDR4 SO DIMM 260P 8.0H RVS C-DWG
DESIGN: Liushifeng	10/27'16	P/N: SEE TABLE 2
CHECK:		SHEET: 1/3
REV. B	APPROVAL: Bill.Jin	10/27'16
		SCALE: 1:1 UNIT: mm

# HF

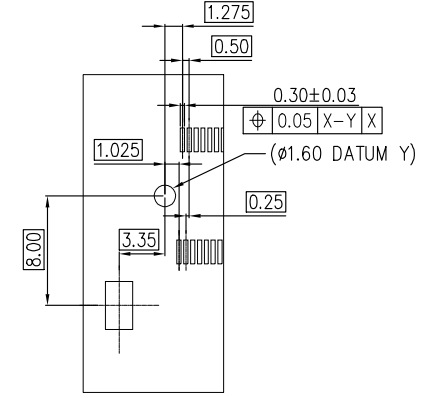
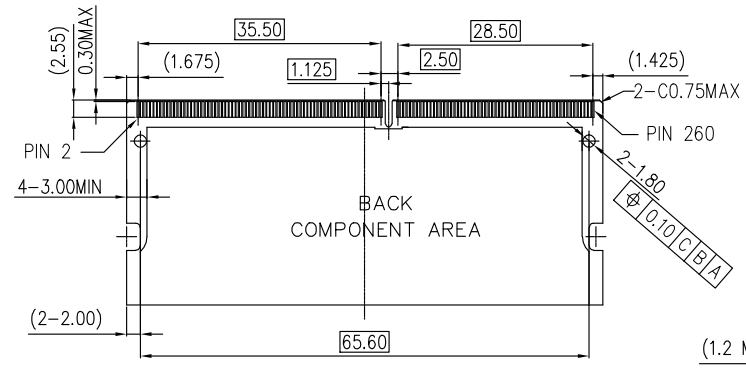
Halogen Free



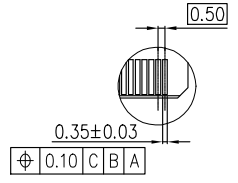
REV.	ECN NO.	LOCATION	DESCRIPTION	DATE	DESIGN
A3			REVISE	08/17'15	Liushifeng
B		△	改善刮手及变更电镀镍的膜厚	10/27'16	Liushifeng



RECOMMEND PCB LAYOUT  
THE TOLERANCE UNLESS SPECIFIED IS ±0.05MM



DETAIL: D  
SCALE 2:1



DETAIL: C  
SCALE 2:1

DIM	TOL	DIM	TOL
.x	±0.35	x'	±3'
.xx	±0.25	.x'	±2'
.xxx	±0.15	.xx'	±1'



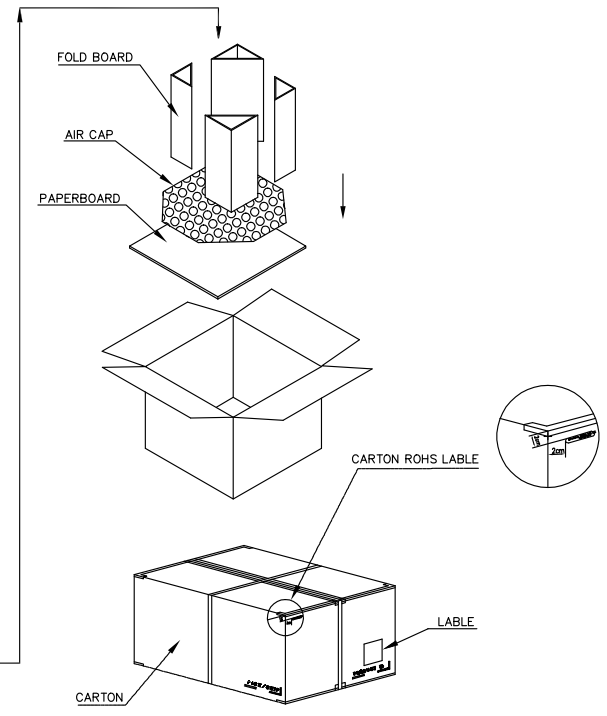
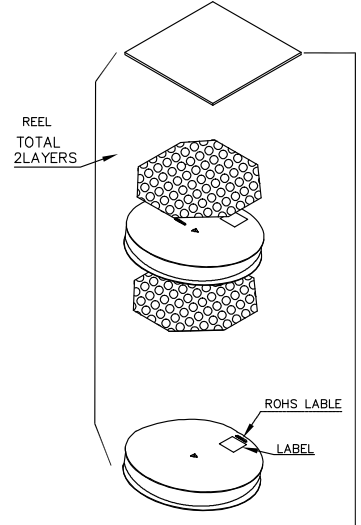
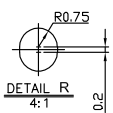
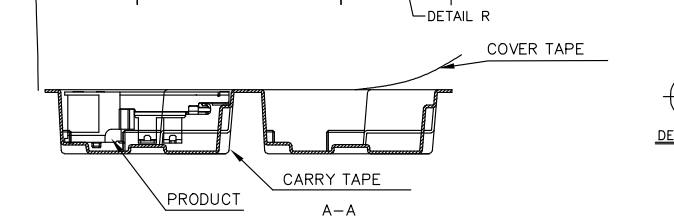
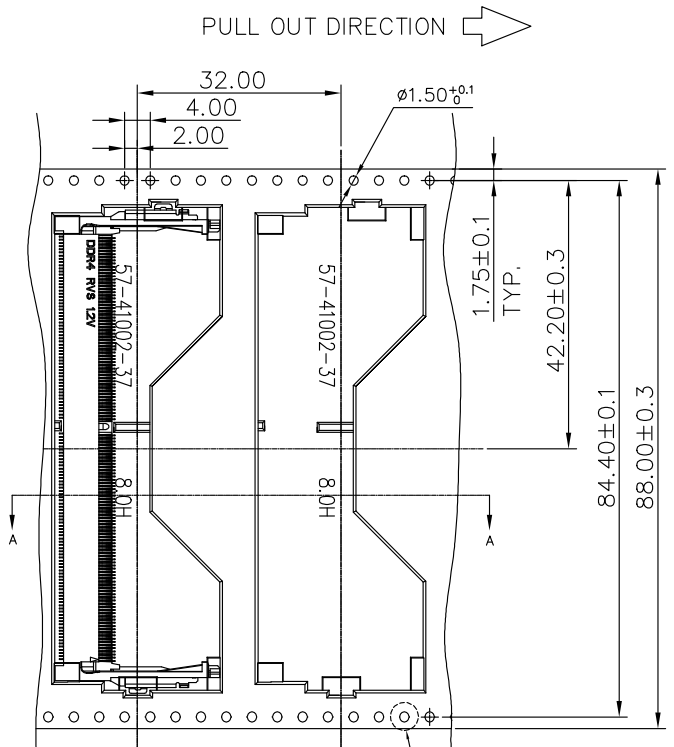
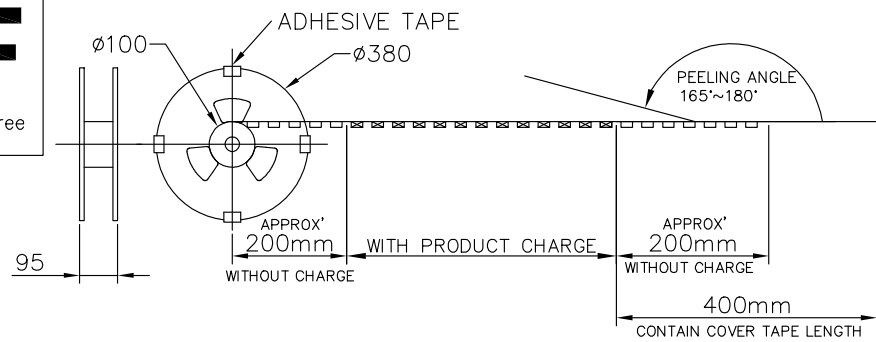
<b>DEREN</b>		SHENZHEN DEREN ELECTRONIC CO., LTD	
CUSTOMER DRAWING	DATE	TITLE: DDR4 SO DIMM 260P 8.0H RVS C-DWG	
DESIGN: Liushifeng	10/27'16	P/N: SEE TABLE 2	
CHECK:		SHEET: 2/3	
REV. B	APPROVAL: Bill.lin	10/27'16	SCALE: 1:1 UNIT: mm

**HF**

Halogen Free

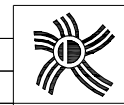


REV.	ECN NO.	LOCATION	DESCRIPTION	DATE	DESIGN
A3			REVISE	08/17'15	Liushifeng
B			改善刮手及变更电镀镍的膜厚	10/27'16	Liushifeng



250	2	500	40-42275-2600XRHF
PCS/REEL	REEL/CARTON	PCS/CARTON	PART NUMBER

DIM	TOL	DIM	TOL
.x	±0.35	x.'	±3'
.xx	±0.25	.x'	±2'
.xxx	±0.15	.xx'	±1'



**DEREN**  
SHENZHEN DEREN ELECTRONIC CO., LTD

CUSTOMER DRAWING		DATE	TITLE: DDR4 SO DIMM 260P 8.0H RVS C-DWG	
DESIGN:	Liushifeng	10/27'16	P/N: SEE TABLE 2	
CHECK:			SHEET: 3/3	
REV. B	APPROVAL: Bill.lin	10/27'16	SCALE: 1:1	UNIT: mm