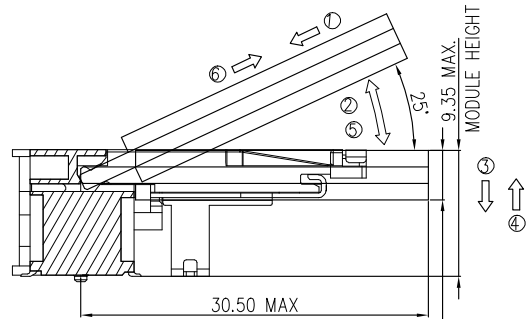
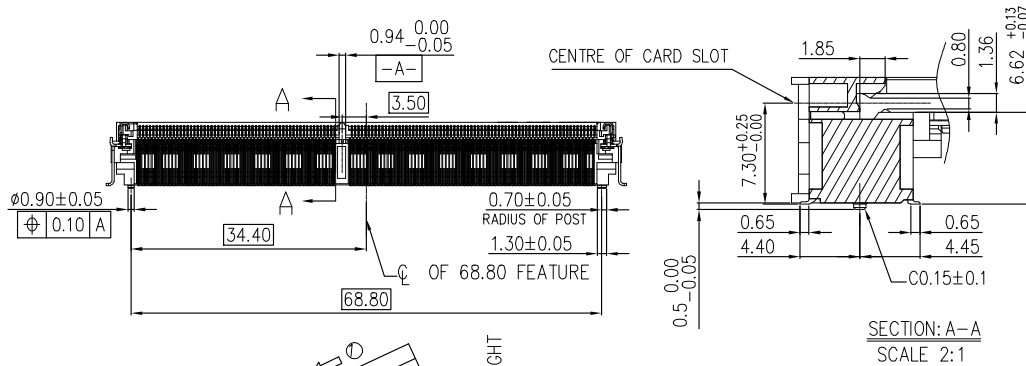
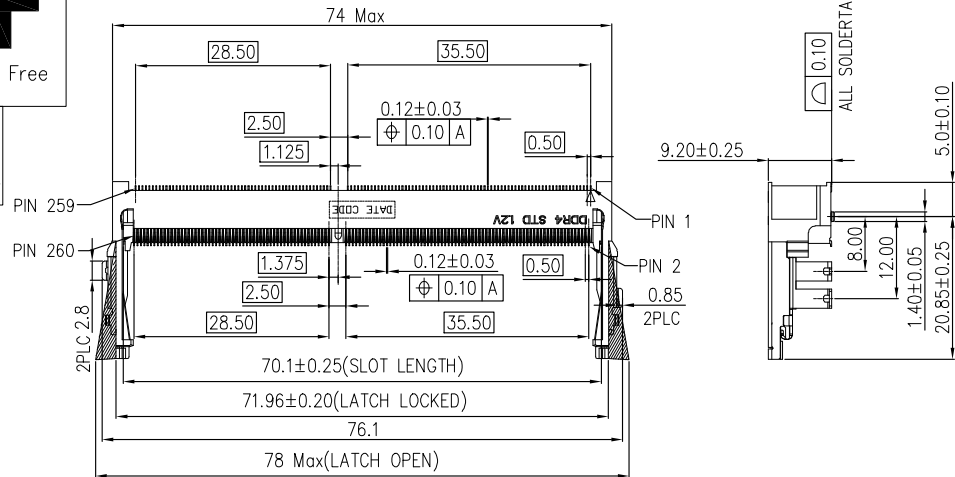


HF

Halogen Free



MATING/UNMATING VIEW
SCALE 2:1

MATING: ① INSERTING(25°) → ② ROTATING → ③ FIXED
UNMATING: ④ UNFIXED → ⑤ ROTATING → ⑥ WITHDRAWING

REV.	ECN NO.	LOCATION	DESCRIPTION	DATE	DESIGN
A4			REVISE	6/7'16	Wang.lie
B			REVISE	9/29'16	Wang.lie

NOTES:

1. MATERIAL:

- 1.1 HOUSING: LCP, UL 94V-0, COLOR: BLACK.
- 1.2 CONTACT: PHOSPHOR BRONZE.
- 1.3 SOLDER PEG AND LATCH: STAINLESS STEEL.

2. FINISH:

- 2.1 CONTACT: 50u" MIN NICKEL UNDERPLATED ALL OVER.
GOLD FLASH PLATING ON SOLDERTAIL.
GOLD PLATING (THICKNESS SEE TABLE) ON CONTACT AREA.
- 2.2 SOLDER PEG:
50u" MIN NICKEL UNDERPLATED ALL OVER.
AU 2u" MAX ON SOLDERTAIL.

3. DATE CODE : YYWWDLX

- YY: YEAR (09: 2009)
- WW: WEEK (25: THE 25TH WEEK)
- D: DAY (1~7: SUNDAY~SATURDAY)
- L: LINE NUMBER OF ASSEMBLY (A: LINE A)
- X: MANUFACTURE CODE

4. PART NUMBER DESCRIPTION:

40-42276-2600XRHF

- HALOGEN CODE:
HF: HALOGEN FREE
R: TAPE & REEL PACKING
- PLATING CODE:
1: GF 2: Au5u" 3: Au10u"
4: Au15u" 5: Au30u"
0: DR LOGO
1: NO LOGO
- PIN NUMBER CODE: 260 PINS

TABLE 2

30u" Au	40-42276-26005RHF	.x	±0.35
15u" Au	40-42276-26004RHF	.xx	±0.25
10u" Au	40-42276-26003RHF		
5u" Au	40-42276-26002RHF	.xxx	±0.15
GF	40-42276-26001RHF		
PLATING THICKNESS	DEREN P/N		

DIM	TOL	DIM	TOL
.x	±0.35	.x'	±3'
.xx	±0.25	.x''	±2'
.xxx	±0.15	.x'''	±1'



DEREN

SHENZHEN DEREN ELECTRONIC CO., LTD

DRAW NO.
T-15-0260

REV. B

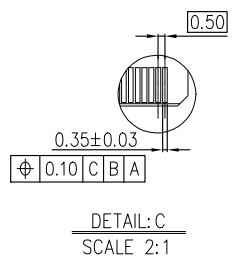
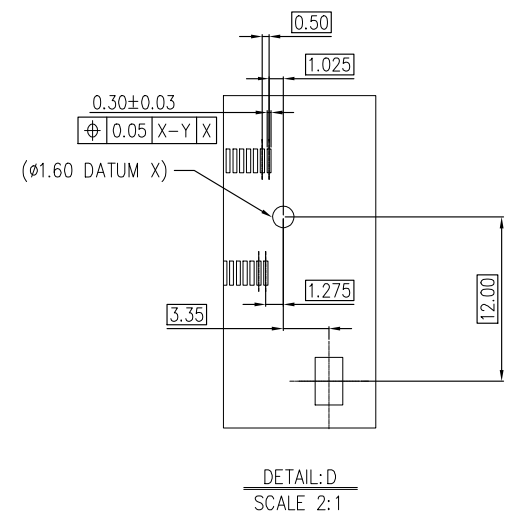
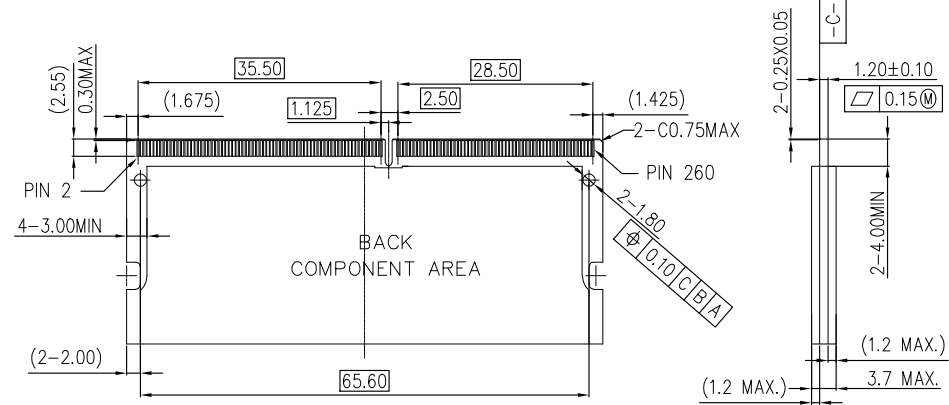
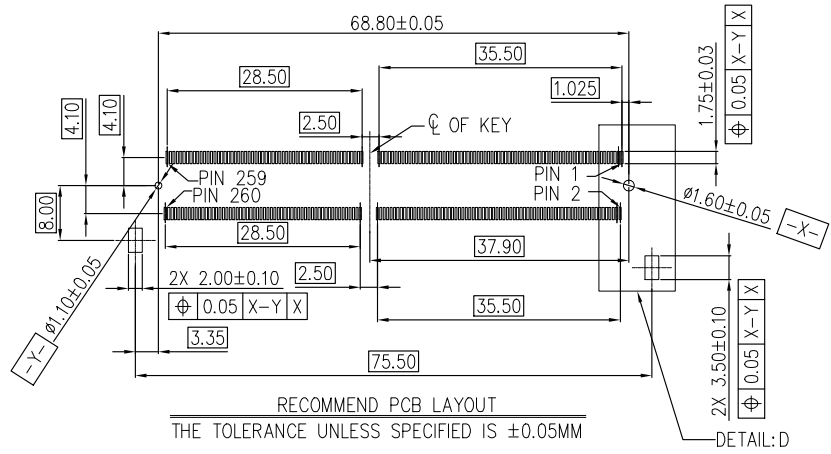
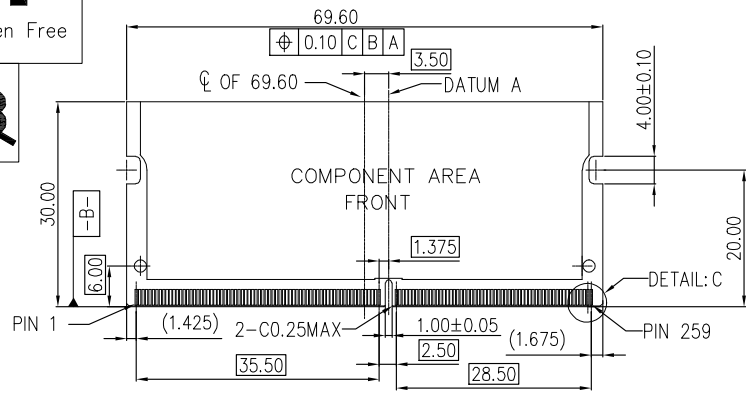
CUSTOMER DRAWING	DATE	DESIGN:
Wang.lie	9/29'16	Bill.lin
Bill.lin	9/29'16	Bill.lin

TITLE:	DATE	P/N:
DDR4 SO DIMM 260P 9.2H STD C-DWG	9/29'16	SEE TABLE 2
SHEET:	1/3	UNIT: mm
SCALE:	1:1	

HF
Halogen Free



REV.	ECN NO.	LOCATION	DESCRIPTION	DATE	DESIGN
A4			REVISE	6/7'16	Wang.lie
B			REVISE	9/29'16	Wang.lie



DIM	TOL	DIM	TOL
.x	±0.35	.x'	±3'
.xx	±0.25	.x''	±2'
.xxx	±0.15	.xxx'	±1'

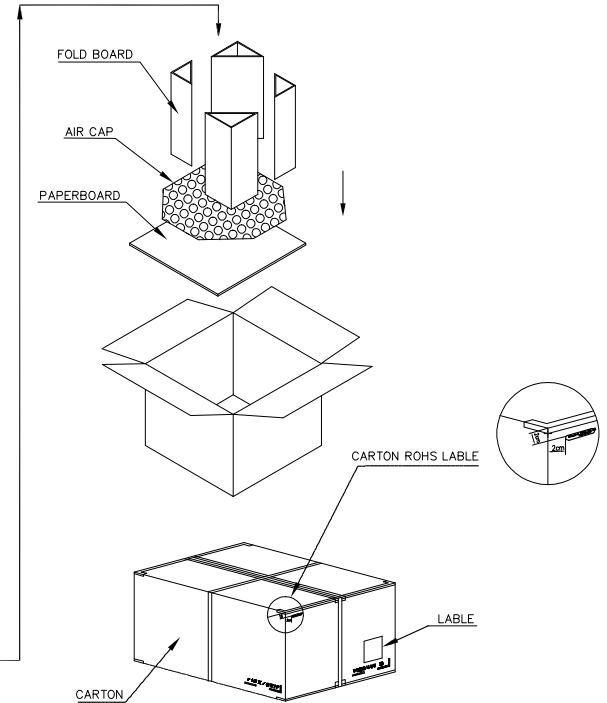
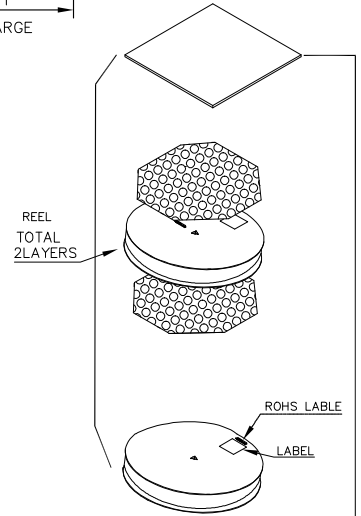
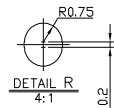
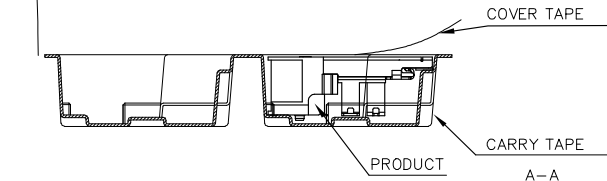
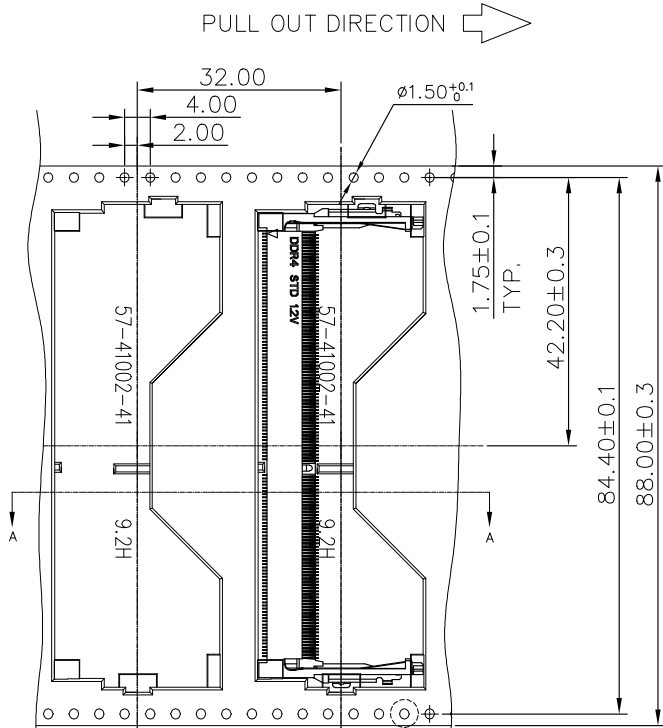
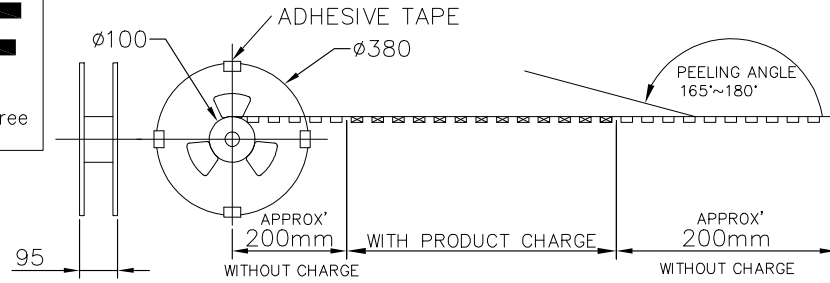


DEREN SHENZHEN DEREN ELECTRONIC CO., LTD		CUSTOMER DRAWING		DATE	TITLE: DDR4 SD DIMM 260P 9.2H STD C-DWG
DESIGN:	Wang.lie	9/29'16	P/N: SEE TABLE 2		
CHECK:	Bill.lin	9/29'16	SHEET: 2/3		
REV.	B	APPROVAL:	Bill.lin	9/29'16	SCALE: 1:1 UNIT: mm

HF
Halogen Free



REV.	ECN NO.	LOCATION	DESCRIPTION	DATE	DESIGN
A4			REVISE	6/7'16	Wang.lie
B			REVISE	9/29'16	Wang.lie



250	2	500	40-42276-2600XRHF
PCS/REEL	REEL/CARTON	PCS/CARTON	PART NUMBER

DIM	TOL	DIM	TOL
.x	±0.35	x.	±3'
.xx	±0.25	.x'	±2'
.xxx	±0.15	.xx'	±1'



DEREN
SHENZHEN DEREN ELECTRONIC CO., LTD

CUSTOMER DRAWING	DATE	TITLE: DDR4 SD DIMM 260P 9.2H STD C-DWG
DESIGN: Wang.lie	9/29'16	P/N: SEE TABLE 2
CHECK: Bill.lin	9/29'16	SHEET: 3/3
REV. B	APPROVAL: Bill.lin	9/29'16
		SCALE: 1:1 UNIT: mm