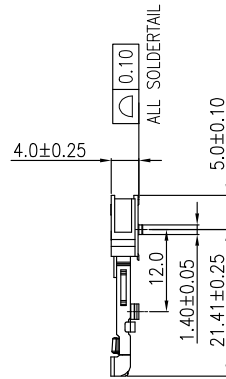
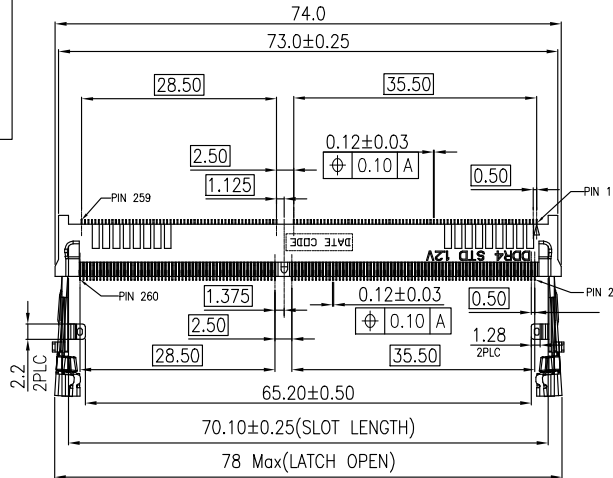


# HF

Halogen Free



REV.	ECN NO.	LOCATION	DESCRIPTION	DATE	DESIGN
A			INITIAL RELEASE	07/15'20	Liushifeng
B			Update The Drawing	06/10'21	HC
C			Update The Drawing	06/24'21	HC

NOTES:

1. MATERIAL:

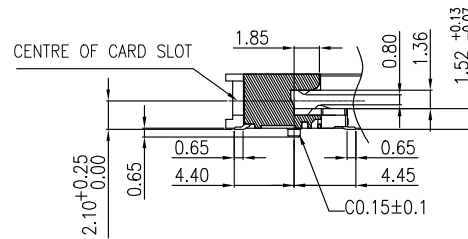
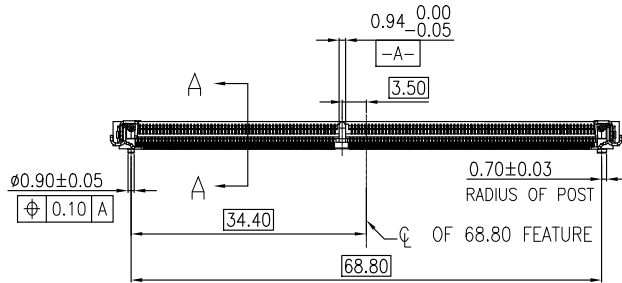
- 1.1 HOUSING:LCP,UL94V-0,COLOR:BLACK.
- 1.2 CONTACT:PHOSPHOR BRONZE.
- 1.3 LATCH:STAINLESS STEEL.

2. FINISH:

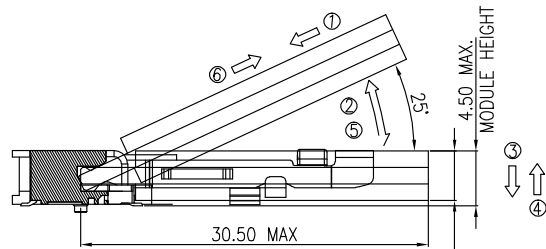
- 2.1 CONTACT: 50u" MIN NICKEL UNDERPLATED ALL OVER.  
GOLD FALSH PLATING ON SOLDER TAIL.  
GOLD PLATING (THICKNESS SEE TABLE 1) ON CONTACT AREA.
- 2.2 LATCH:  
50u" MIN NICKEL UNDERPLATED ALL OVER.  
100u" MIN MATTE TIN PLATED ALL OVER.

3. DATE CODE: YYWDLX

- YY: YEAR (09: 2009)
- WW: WEEK (25: THE 25TH WEEK)
- D: DAY (1~7: SUNDAY~SATURDAY)
- L: LINE NUMBER OF ASSEMBLY (A: LINE A)
- X: MANUFACTURE CODE



SECTION:A-A  
SCALE 2:1



MATING/UNMATING VIEW  
SCALE 2:1

- MATING: ① INSERTING(25°) — ② ROTATING — ③ FIXED  
UNMATING: ④ UNFIXED — ⑤ ROTATING — ⑥ WITHDRAWING

TABLE 1

TAPE&REEL	BLACK	1.2V	30u"	260	567U10-005H
TAPE&REEL	BLACK	1.2V	15u"	260	567U10-004H
TAPE&REEL	BLACK	1.2V	10u"	260	567U10-003H
TAPE&REEL	BLACK	1.2V	5u"	260	567U10-002H
TAPE&REEL	BLACK	1.2V	1u"	260	567U10-001H
PACKING TYPE	HOUSING COLOR	POWER SUPPLY	FINISH	POS	DEREN P/N



**DEREN**  
SHENZHEN DEREN ELECTRONIC CO., LTD

DIM	TOL	DIM	TOL
.x	±0.35	x.'	±3'
.xx	±0.25	.x'	±2'
.xxx	±0.15	.xx'	±1'

DRAW NO.  
SC1905755

CUSTOMER DRAWING	DATE
DESIGN: HC	06/24'21
CHECK: ican.chen	06/24'21
APPROVAL: Bill.jin	06/24'21

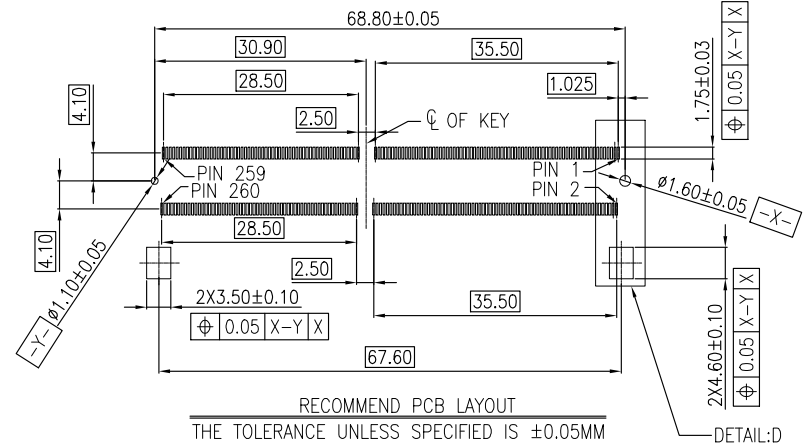
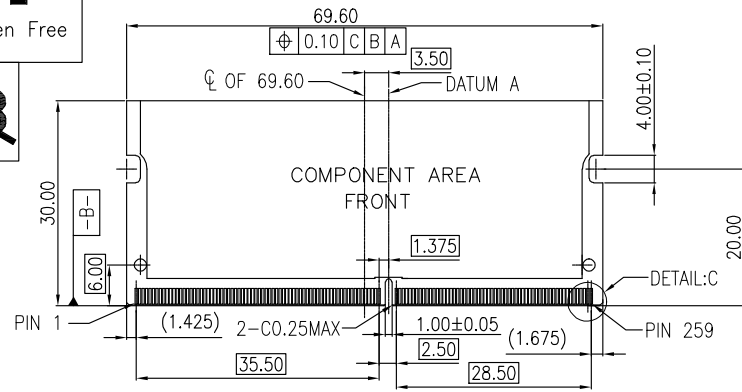
TITLE: DDRIV SO DIMM 4.0H STD M/L	P/N: SEE TABLE 1
SHEET: 1/3	UNIT: mm
SCALE: 1:1	

# HF

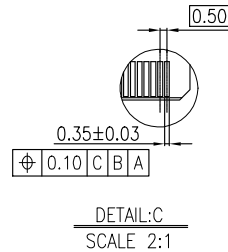
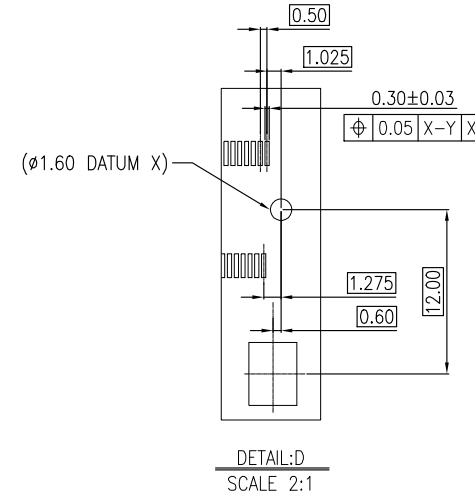
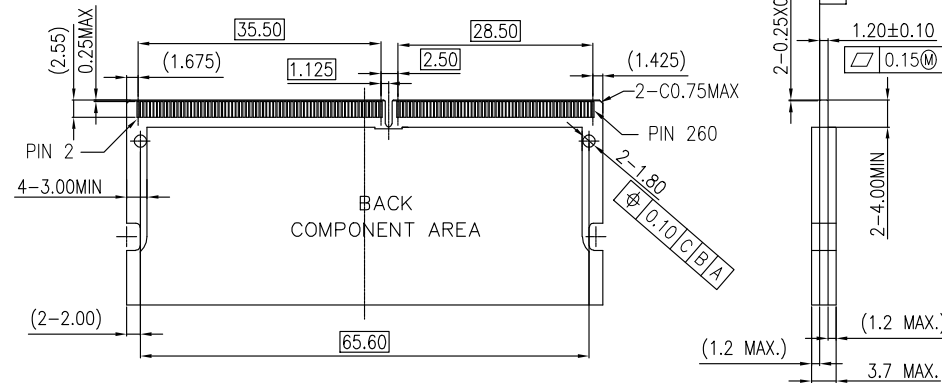
Halogen Free



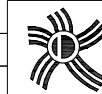
REV.	ECN NO.	LOCATION	DESCRIPTION	DATE	DESIGN
A			INITIAL RELEASE	07/15'20	Liushifeng
B			Update The Drawing	06/10'21	HC
C			Update The Drawing	06/24'21	HC



RECOMMEND PCB LAYOUT  
THE TOLERANCE UNLESS SPECIFIED IS ±0.05MM



DIM	TOL	DIM	TOL
.x	±0.35	x.'	±3'
.xx	±0.25	.x'	±2'
.xxx	±0.15	.xx'	±1'



**DEREN**

SHENZHEN DEREN ELECTRONIC CO., LTD

DRAW NO.  
SC1905755

DESIGN: HC

DATE: 06/24'21

CHECK: ican.chen

DATE: 06/24'21

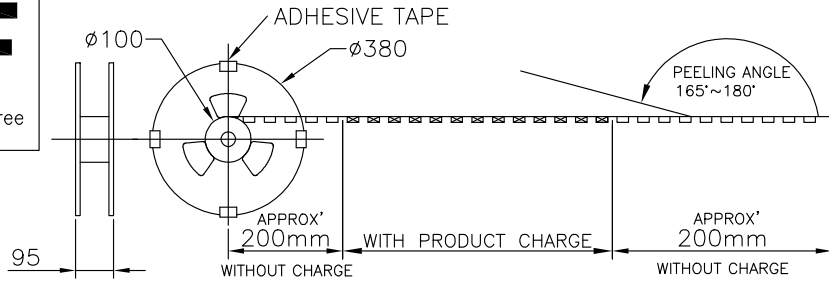
APPROVAL: Bill.lin

DATE: 06/24'21

CUSTOMER DRAWING	DATE	TITLE: DDRIV SO DIMM 4.0H STD M/L
		P/N: SEE TABLE 1
SHEET: 2/3		SCALE: 1:1 UNIT: mm

**HF**

Halogen Free



REV.	ECN NO.	LOCATION	DESCRIPTION	DATE	DESIGN
A			INITIAL RELEASE	07/15'20	Liushifeng
B			Update The Drawing	06/10'21	HC
C			Update The Drawing	06/24'21	HC

PULL OUT DIRECTION

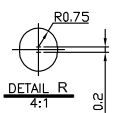
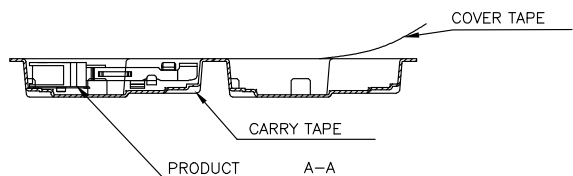
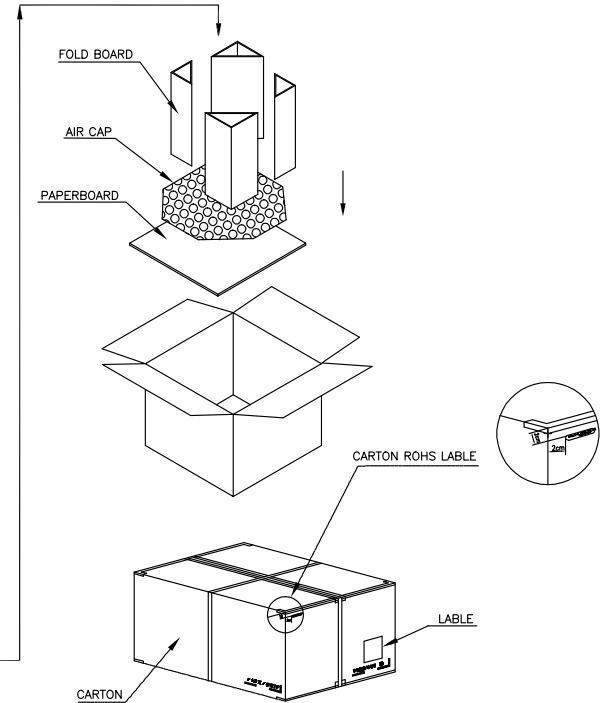
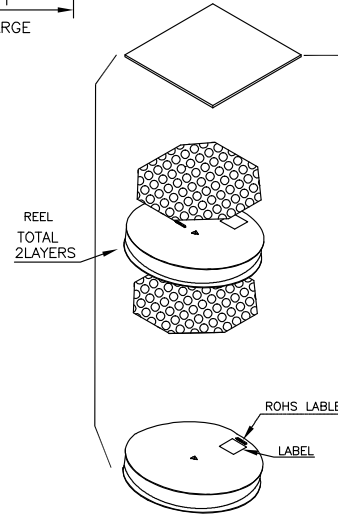
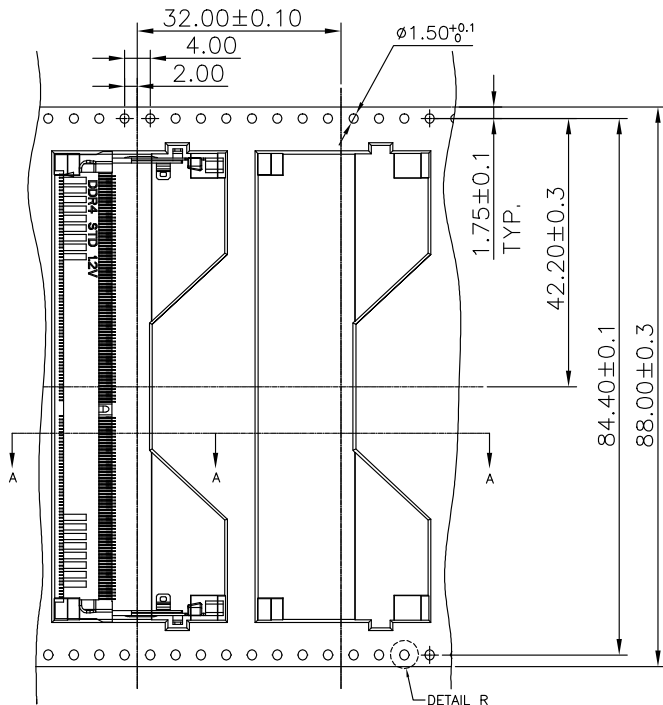
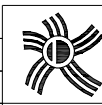


TABLE 2

500	2	1000	SEE TABLE 1
PCS/ REEL	REEL/ CARTON	PCS/ CARTON	PART NUMBER

DIM	TOL	DIM	TOL
.x	$\pm 0.35$	x.'	$\pm 3'$
.xx	$\pm 0.25$	.x'	$\pm 2'$
.xxx	$\pm 0.15$	.xx'	$\pm 1'$



**DEREN**  
SHENZHEN DEREN ELECTRONIC CO., LTD

CUSTOMER DRAWING	DATE	TITLE: DDRIV S0 DIMM 4.0H STD M/L
DESIGN: HC	06/24'21	P/N: SEE TABLE 1
CHECK: icon.chen	06/24'21	SHEET: 3/3
REV. C	APPROVAL: Bill.lin	06/24'21
		SCALE: 1:1 UNIT: mm