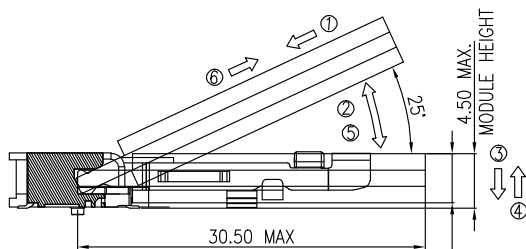
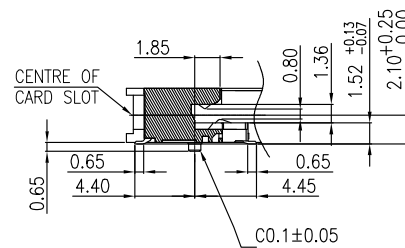
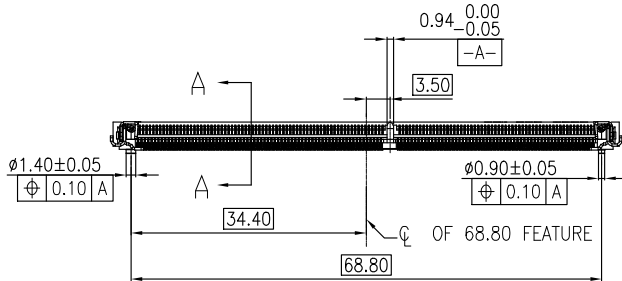
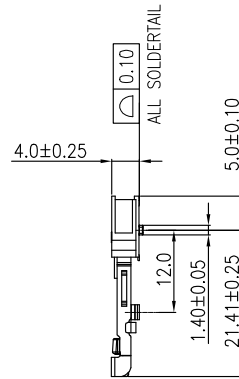
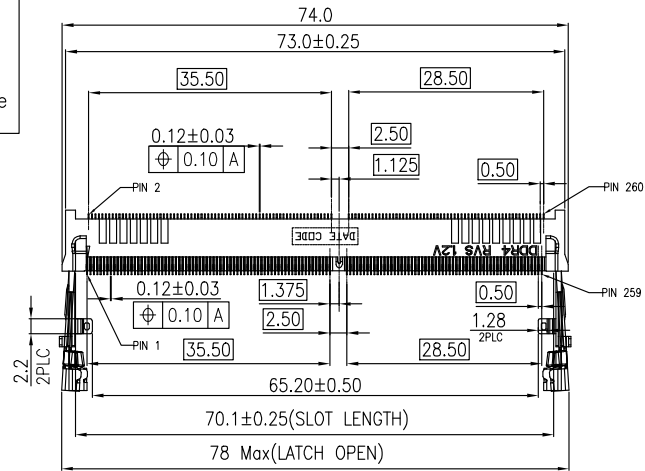


HF

Halogen Free



MATING: ① INSERTING(25°) → ② ROTATING → ③ FIXED
 UNMATING: ④ UNFIXED → ⑤ ROTATING → ⑥ WITHDRAWING

REV.	ECN NO.	LOCATION	DESCRIPTION	DATE	DESIGN
A			INITIAL RELEASE	07/15'20	Liushifeng
B			Update The Drawing	06/10'21	HC
C			Update The Drawing	06/24'21	HC

NOTES:

1. MATERIAL:

- 1.1 HOUSING:LCP,UL94V-0,COLOR:BLACK.
- 1.2 CONTACT:PHOSPHOR BRONZE.
- 1.3 LATCH:STAINLESS STEEL.

2. FINISH:

- 2.1 CONTACT: 50u" MIN NICKEL UNDERPLATED ALL OVER.
GOLD FALSH PLATING ON SOLDERTAIL.
GOLD PLATING (THICKNESS SEE TABLE 1) ON CONTACT AREA.
- 2.2 LATCH:
50u" MIN NICKEL UNDERPLATED ALL OVER.
100u" MIN MATTE TIN PLATED ALL OVER.

3. DATE CODE: YYWWDLX

- YY: YEAR (09: 2009)
- WW: WEEK (25: THE 25TH WEEK)
- D: DAY (1~7: SUNDAY~SATURDAY)
- L: LINE NUMBER OF ASSEMBLY (A: LINE A)
- X: MANUFACTURE CODE

TABLE 1

TAPE&REEL	BLACK	1.2V	30u"	260	567U11-005H
TAPE&REEL	BLACK	1.2V	15u"	260	567U11-004H
TAPE&REEL	BLACK	1.2V	10u"	260	567U11-003H
TAPE&REEL	BLACK	1.2V	5u"	260	567U11-002H
TAPE&REEL	BLACK	1.2V	1u"	260	567U11-001H
PACKING TYPE	HOUSING COLOR	POWER SUPPLY	FINISH	POS	DEREN P/N



DEREN
 SHENZHEN DEREN ELECTRONIC CO., LTD

DIM	TOL	DIM	TOL
.x	±0.35	x.'	±3'
.xx	±0.25	.x'	±2'
.xxx	±0.15	.xx'	±1'

DRAW NO.
SC1905756

REV. C

CUSTOMER DRAWING	DATE
DESIGN: HC	06/24'21
CHECK: ican.chen	06/24'21
APPROVAL: Bill.jin	06/24'21

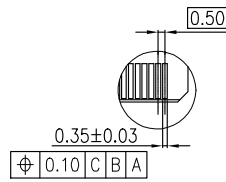
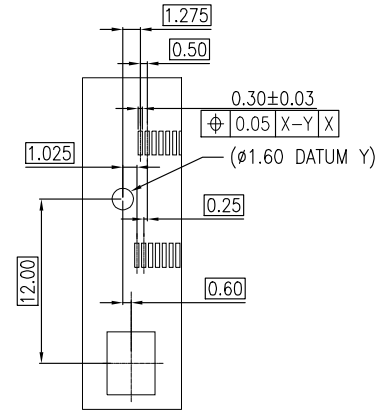
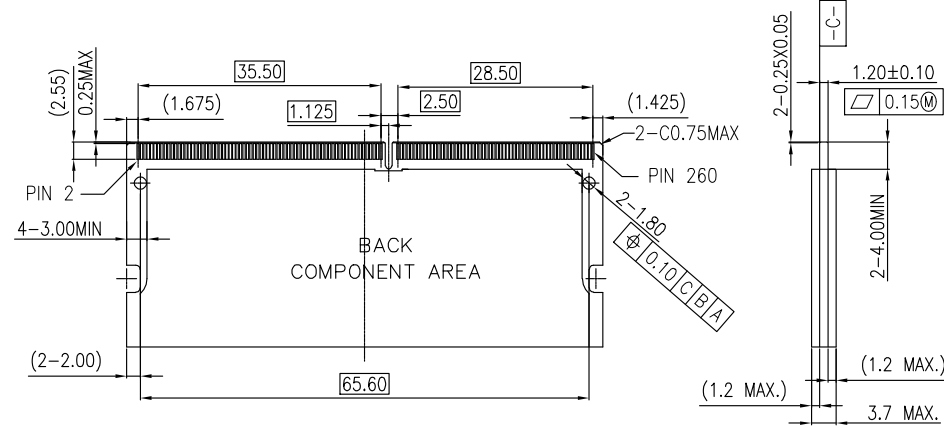
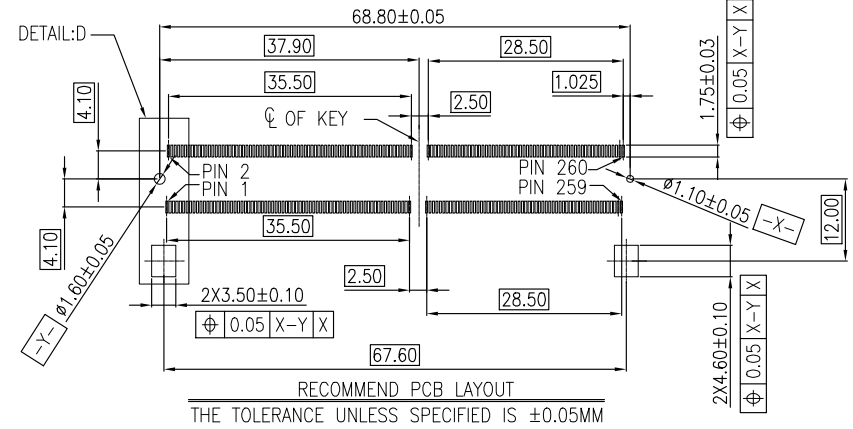
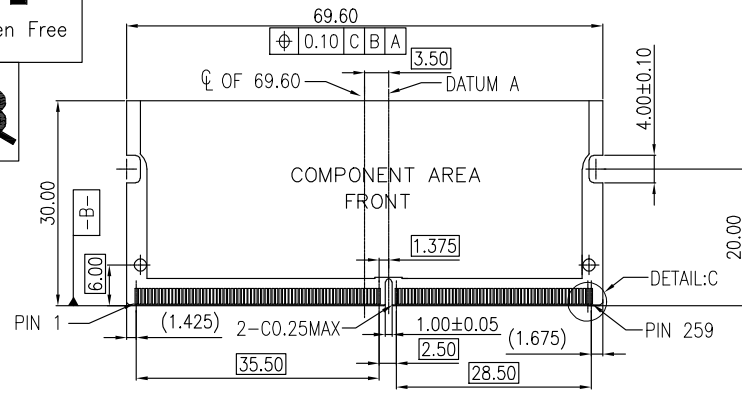
TITLE: DDRIV S0 DIMM 4.0H RVS M/L
P/N: SEE TABLE 1
SHEET: 1/3
SCALE: 1:1
UNIT: mm

HF

Halogen Free



REV.	ECN NO.	LOCATION	DESCRIPTION	DATE	DESIGN
A			INITIAL RELEASE	07/15'20	Liushifeng
B			Update The Drawing	06/10'21	HC
C			Update The Drawing	06/24'21	HC



DETAIL:C
 SCALE 2:1

DETAIL:D
 SCALE 2:1

DIM	TOL	DIM	TOL
.x	± 0.35	x.'	$\pm 3'$
.xx	± 0.25	.x'	$\pm 2'$
.xxx	± 0.15	.xx'	$\pm 1'$



DEREN
 SHENZHEN DEREN ELECTRONIC CO., LTD

CUSTOMER DRAWING	DATE	TITLE: DDRIV S0 DIMM 4.0H RVS M/L
DESIGN: HC	06/24'21	P/N: SEE TABLE 1
CHECK: ican.chen	06/24'21	SHEET: 2/3
APPROVAL: Bill.jin	06/24'21	SCALE: 1:1 UNIT: mm
DRAW NO. SC1905756		

HF

Halogen Free



REV.	ECN NO.	LOCATION	DESCRIPTION	DATE	DESIGN
A			INITIAL RELEASE	07/15'20	Liushifeng
B			Update The Drawing	06/10'21	HC
C			Update The Drawing	06/24'21	HC

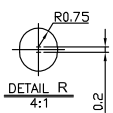
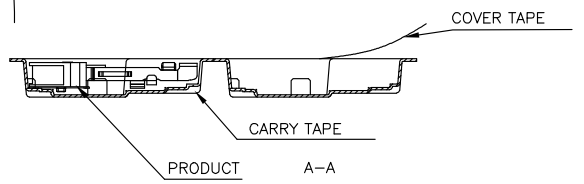
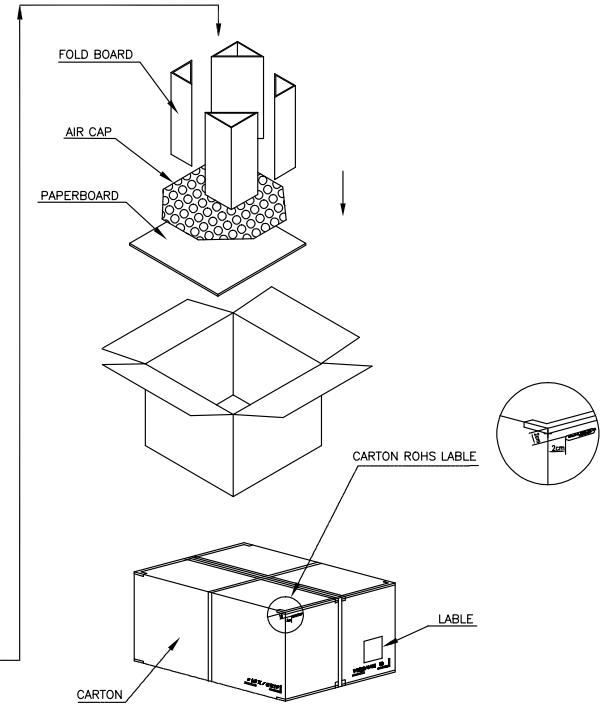
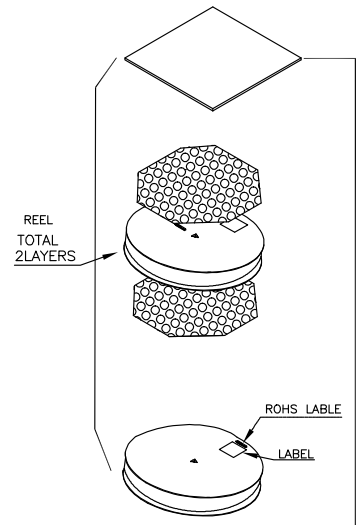
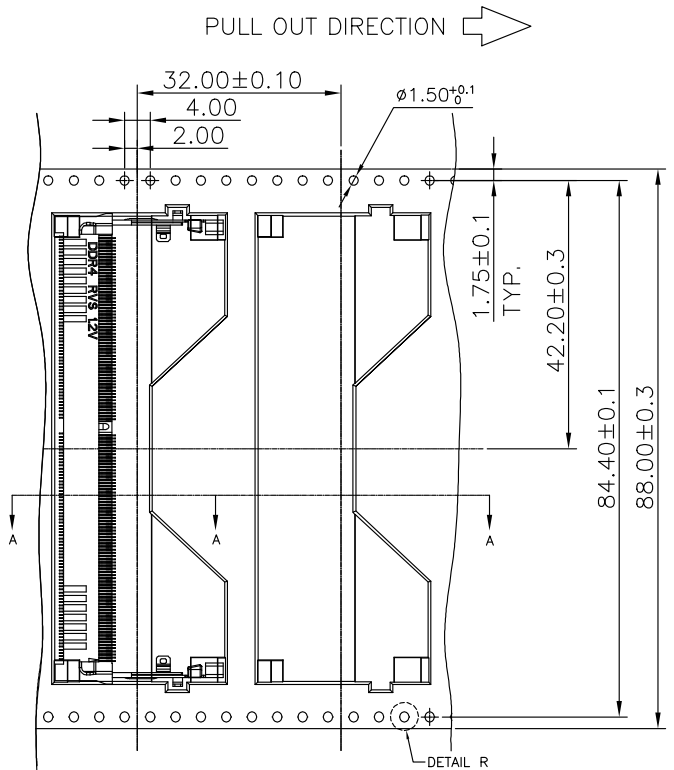
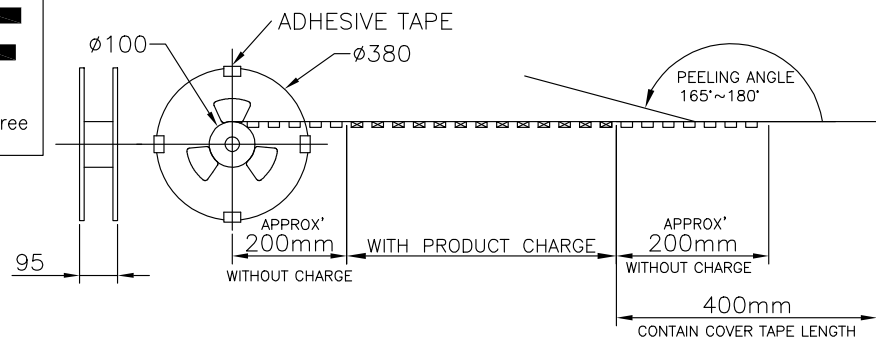


TABLE 2

500	2	1000	SEE TABLE 1
PCS/ REEL	REEL/ CARTON	PCS/ CARTON	PART NUMBER

DIM	TOL	DIM	TOL
.x	±0.35	x.'	±3'
.xx	±0.25	.x'	±2'
.xxx	±0.15	.xx'	±1'



DEREN
SHENZHEN DEREN ELECTRONIC CO., LTD

CUSTOMER DRAWING	DATE	TITLE: DDRIV SO DIMM 4.0H RVS M/L
DESIGN: HC	06/24'21	P/N:SEE TABLE 1
CHECK: ican.chen	06/24'21	SHEET: 3/3
REV. C	APPROVAL: Bill.lin	06/24'21
		SCALE: 1:1 UNIT: mm