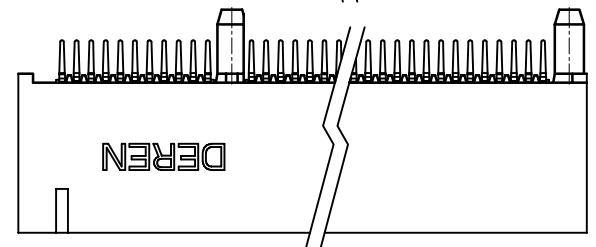
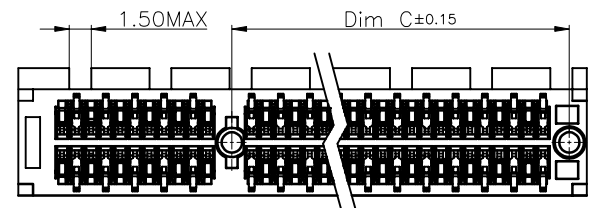
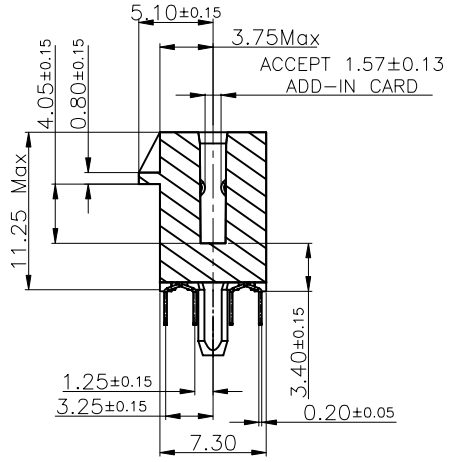
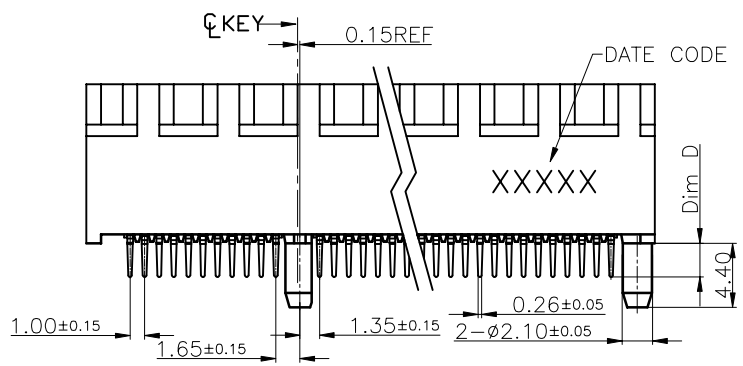
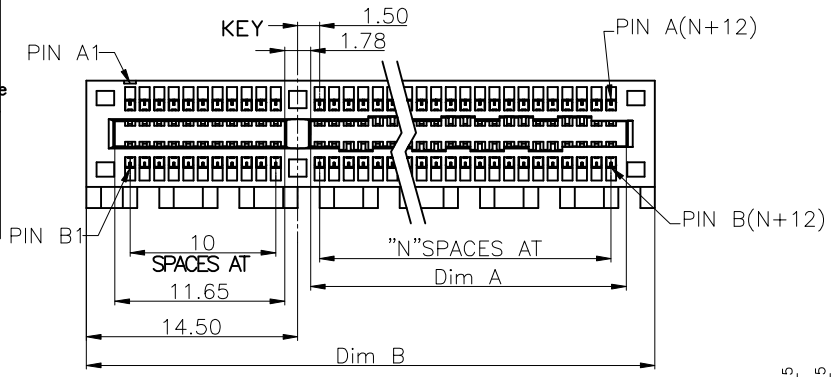


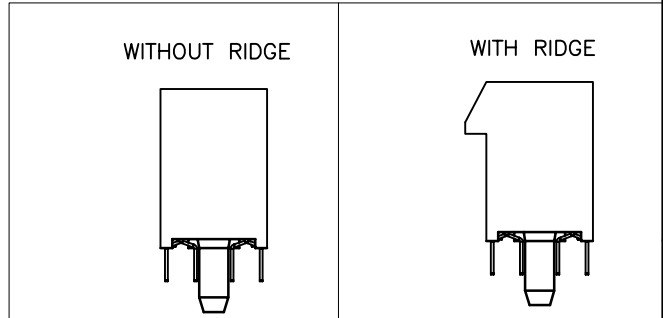


REV.	ECN NO.	LOCATION	DESCRIPTION	DATE	DESIGN
X1			INITIAL RELEASE	06/11'21	Chen



NOTES:
 PRODUCT MEETS CONTROLLED SUBSTANCES SPEC. ROHS 2.0
 1. MATERIAL:
 1.1 HOUSING:PA6T+30%G/F, UL94V-0; COLOR: BLACK
 1.2 CONTACT :C5191-EH,T=0.20
 1.3 MYLAR: POLYIMIDE FILM, t=0.10mm
 2. FINISH:
 CONTACT:GOLD PLATING(SEE PART NUMBER) ON CONTACT AREA.
 2.54um[100u"] MIN. MATTE-TIN PLATING ON SOLDER TAIL AREA.
 1.27um[50u"] MIN. NICKEL UNDERPLATING OVERALL.
 3.DATE CODE : YYWWD (YY: YEAR, WW: WEEK, D: DAY)
 4.PART NUMBER DESCRIPTION:
 564ZD4 - 0 1 1 H * * * * *-WD

PACKING CODE: 1:TRAY
 2:REEL
 HOUSING COLOR:1:BLACK 2:WITHE 3.BLUE
 TAIL LENGTH CODE:1:2.3mm 2.3.1mm
 3.1.80mm 4.3.56mm
 RIDGE&POS CODE: 1.36P&WITH RIDGE
 2.36P&WITHOUT RIDGE
 3.64P&WITH RIDGE
 4.64P&WITHOUT RIDGE
 5.98P&WITH RIDGE
 6.98P&WITHOUT RIDGE
 7.164P&WITH RIDGE
 8.164P&WITHOUT RIDGE
 PLATING CODE: 1: G/F
 2: 15u" Min
 3: 30u" Min
 HALOGEN CODE: H: HALOGEN FREE



P/N:	#POS REF	N	DIM A	DIM B	DIM C	DIM D	PCB THK
564ZD4-011H*****-WD	36	6	7.65	25.00	9.15	2.30±0.25	1.58
564ZD4-011H*****-WD	64	20	21.65	39.00	23.15	3.10±0.25	2.38
564ZD4-011H*****-WD	98	37	38.65	56.00	40.15	1.80±0.25	1.10
564ZD4-011H*****-WD	164	70	71.65	89.00	73.15	3.56±0.25	1.10

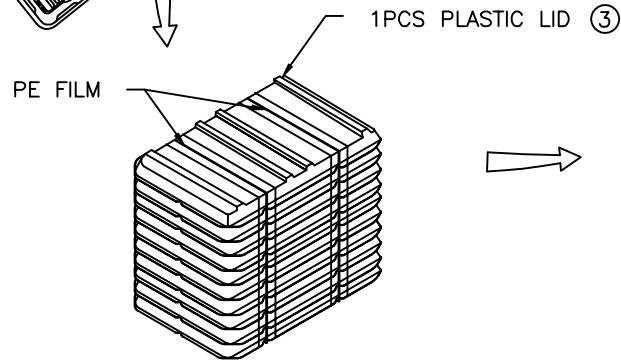
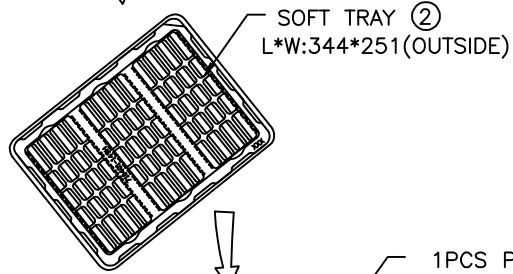
DIM	TOL	DIM	TOL
x.	±0.30	x.	±2"
.x	±0.25	.x	±1"
.xx	±0.20		

DEREN
 SHENZHEN DEREN ELECTRONIC CO.,LTD

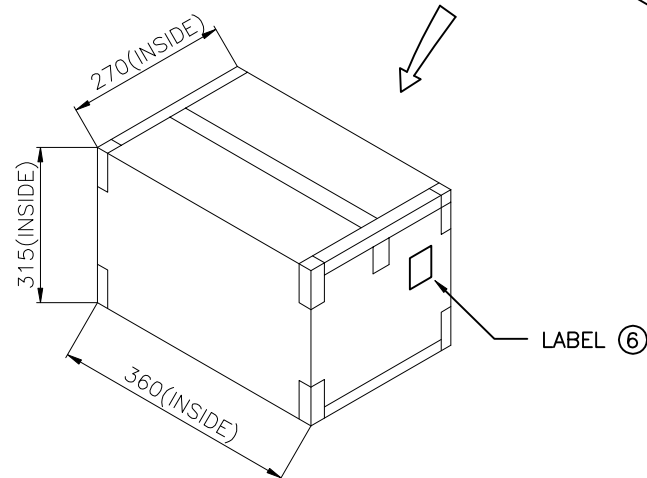
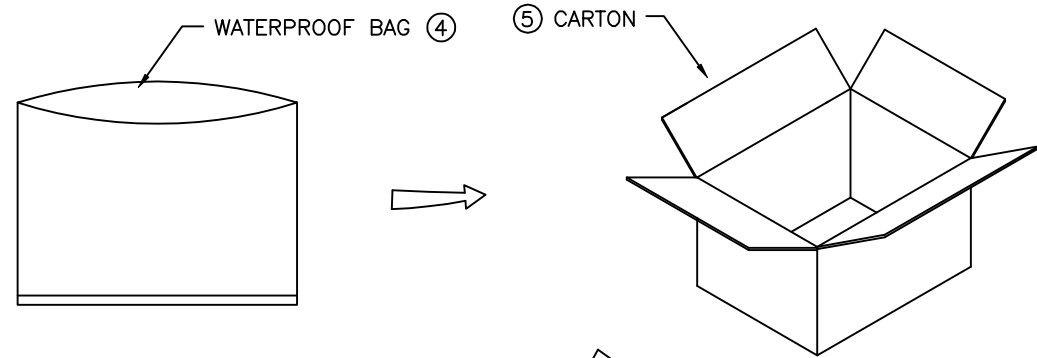
CUSTOMER DRAWING	DATE	TITLE: PCI EXPRESS 4.0 PITCH 1.0 DIP TYPE普通版
DESIGN: Chen	06/11'21	P/N: SEE TABLE
CHECK: Bill.Lin	06/11'21	SHEET: 1/4
APPROVAL: Smark.Huo	06/11'21	SCALE: 1:1 UNIT: mm

DRAW NO. SC2107399
 REV. X1

HF
Halogen Free



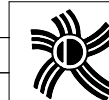
5	CARTON	50-41001-18	360*270*315mm(INNER)	1
4	BAG	55-41009-01	750*600*0.05mm	1
3	LID	-	344*251mm	1
2	SOFT TRAY	-	344*251mm	12
1	CONN	-	-	SEE TABLE
NO.	PART NAME	PART NUMBER	SPEC.	QTY



- NOTE:
1. PUT THE PRODUCTS INTO TRAY WITH DIRECTION AS THE LEFT SKETCH SHOWN, Q'TY SEE TABLE, 12 TRAYS STACKED UP PER BUNDLE. THEN ADD AN EMPTY TRAY ON TOPSIDE.
 2. WIND THE TWO ENDS WITH PE FILM.
 3. PUT THE PRODUCTS BUNDLED INTO WATER-PROOF PE BAG, 1BUNDLES/BAG, THEN PUT INTO THE CARTON.
 4. SEAL OUTER CARTON WITH PACKING TAPE LIKE A 'H' SHAPE
 5. PACKAGING QUANTITY: SEE TABLE.

P/N:	#POS REF	RIDGE	PCS/ROW OF TRAY	PCS/COLUMN OF TRAY	PCS/TRAY	TRAYS/CARTON	PCS/CARTON
564ZD4-011H****-WD	36	WITH	15	8	120	12	1440
564ZD4-011H****-WD		WITHOUT	15	8	120	12	1440
564ZD4-011H****-WD	64	WITH	15	6	90	12	1080
564ZD4-011H****-WD		WITHOUT	15	6	90	12	1080
564ZD4-011H****-WD	98	WITH	15	4	60	12	720
564ZD4-011H****-WD		WITHOUT	15	4	60	12	720
564ZD4-011H****-WD	164	WITH	15	3	45	12	540
564ZD4-011H****-WD		WITHOUT	15	3	45	12	540

DIM	TOL	DIM	TOL
x		x	
.x		.x	
.xx			



DEREN

SHENZHEN DEREN ELECTRONIC CO., LTD

DRAW NO. SC2107399	CUSTOMER	DRAWING	DATE	PCI EXPRESS 4.0 PITCH TITLE: 1.0 DIP TYPE普通版	
	DESIGN:	Chen	06/11'21	P/N:	SEE TABLE
REV. X1	CHECK:	Bill.Lin	06/11'21	SHEET:	3/4
APPROVAL:	Smarrk.Huo	06/11'21	SCALE:	1:1	UNIT: mm

1 2 3 4 5 6 7 8

A

B

C

D

A

B

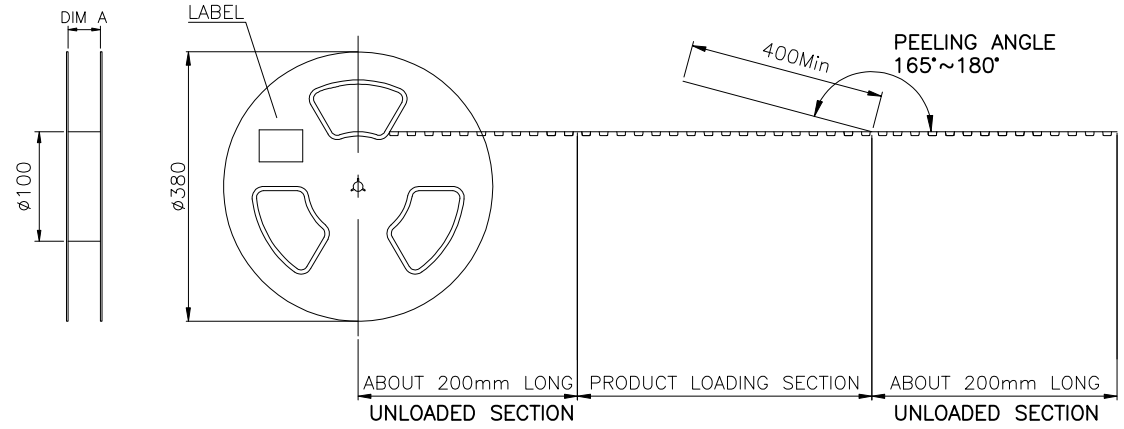
C

D

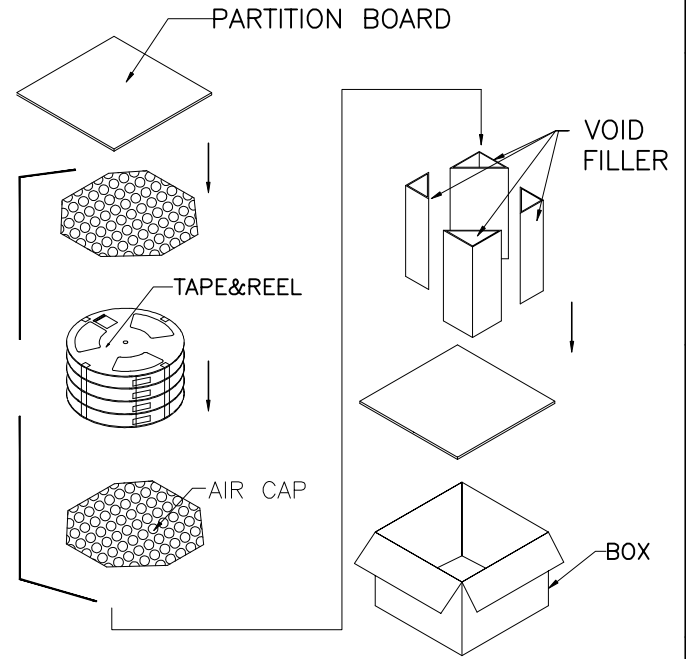
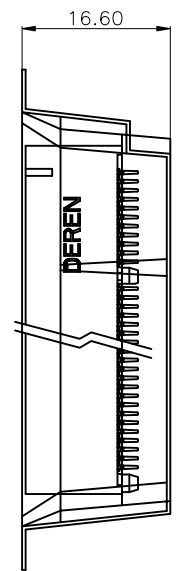
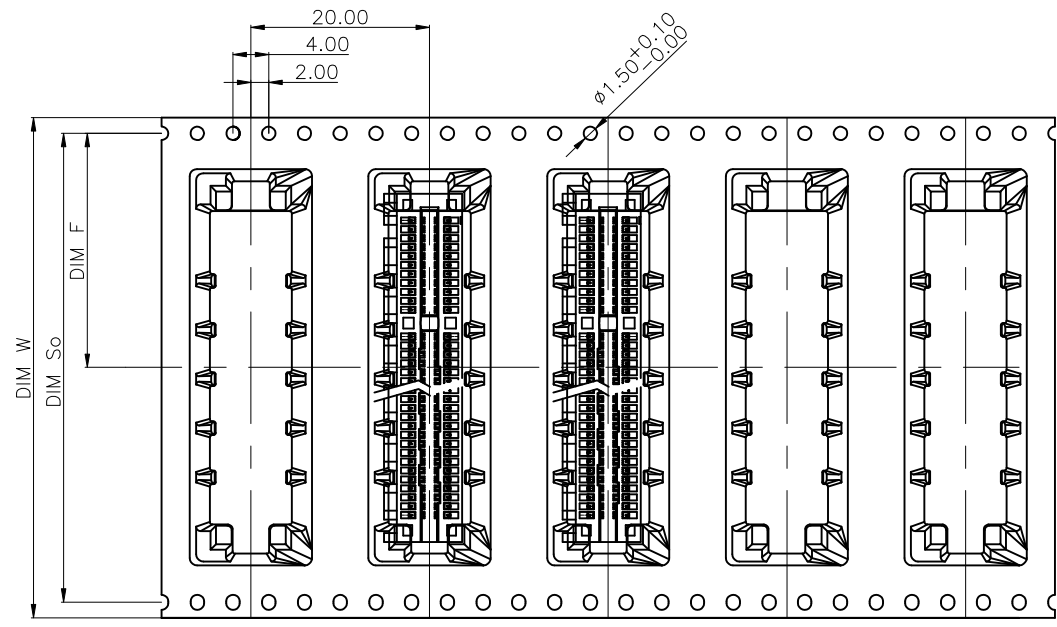
E

E

GATHER MATERIAL DIRECTION INPUT MATERIAL DIRECTION



- MATERIAL:
COVER TAPE: PET, COLOR: CLEAR
CARRIER TAPE: PET
REEL: PS
SHIPPING BOX; CORRUGATED FIBER
- DIMENSION:
REEL: SEE DRAWING
BOX: L385mmxW385mm
- QUANTITY: SEE TABLE



P/N:	#POS REF	RIDGE	DIM W	DIM S4	DIM F	DIM A REEL	PCS/REEL	REELS/CARTON	PCS/CARTON
564ZD4-011H****2-WD	36	WITH	44	40.4	20.2	44.4	200	5	1000
564ZD4-011H****2-WD		WITHOUT							
564ZD4-011H****2-WD	64	WITH	56	52.4	26.2	56.4	200	4	800
564ZD4-011H****2-WD		WITHOUT							
564ZD4-011H****2-WD	98	WITH	72	68.4	34.2	72.4	200	3	600
564ZD4-011H****2-WD		WITHOUT							
564ZD4-011H****2-WD	164	WITH	104	100.4	50.2	104.4	200	2	400
564ZD4-011H****2-WD		WITHOUT							

DIM	TOL	DIM	TOL
x		x	
.x		.x	
.xx			

DEREN
SHENZHEN DEREN ELECTRONIC CO., LTD

DRAW NO.	CUSTOMER DRAWING		DATE		TITLE: PCI EXPRESS 4.0 PITCH 1.0 DIP TYPE 普通版	
	SC2107399	DESIGN: Chen	06/11'21	P/N: SEE TABLE		
REV. X1	CHECK: Bill.Lin	06/11'21	SHEET: 4/4		SCALE: N/A UNIT: mm	
	APPROVAL: Smark.Huo	06/11'21				

1 2 3 4 5 6 7 8