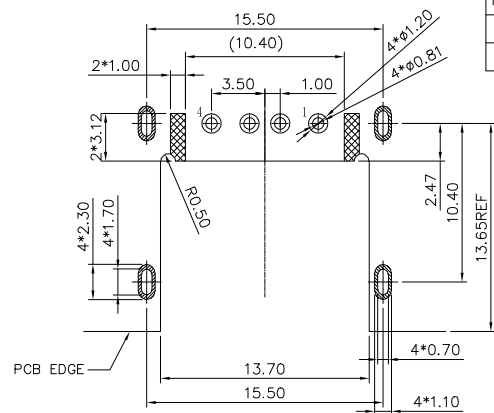
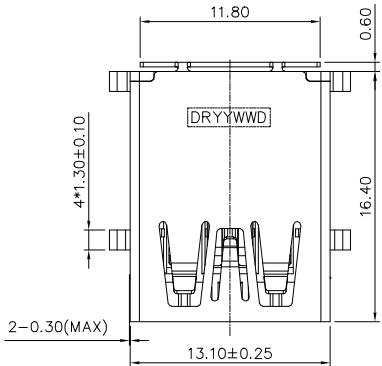
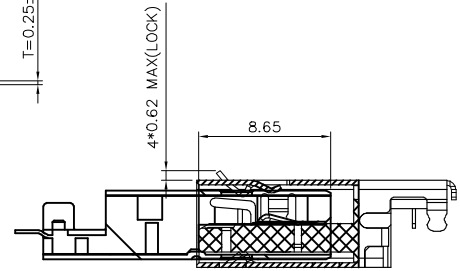
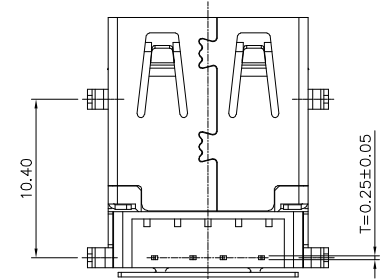
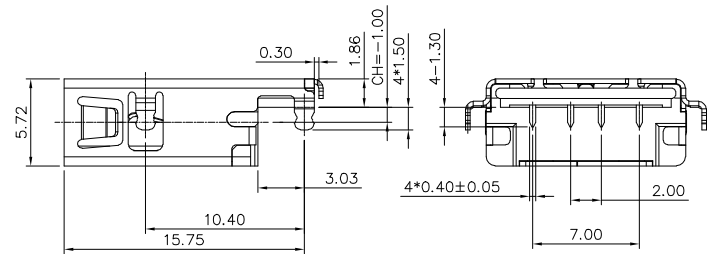
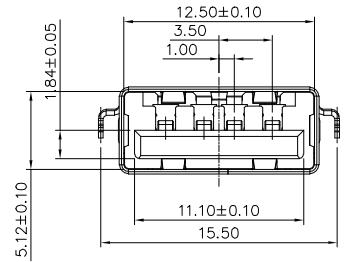




REV.	ECN NO.	LOCATION	DESCRIPTION	DATE	DESIGN
1			INITIAL RELEASE	2022.06.21	Alex_Z
2			UPDATE PACKAGING	2022.08.16	Alex_Z



PAD AREA
 STAND OFF AREA(NO TRACE, NO TEST POINT, NO VIA HOLE, NO GROUND AREA)
 TOLERANCE: ±0.05, THICKNESS: RECOMMENDED PCB LAYOUT



NOTES:
 PRODUCT MEETS CONTROLLED SUBSTANCES SPEC. ROHS 2.0
 1. MATERIAL:
 1.1 HOUSING: HIGH TEMPERATURE PLASTIC, UL94V-0; COLOR: SEE TABLE.
 1.2 CONTACT 2.0: PHOSPHOR BRONZE.
 1.3 CONTACT 3.0: BRASS.
 1.4 SHELL: SUS.
 2. FINISH:
 2.1 CONTACT: GOLD PLATING(SEE TABLE) ON CONTACT AREA.
 80u"MIN. MATTE-TIN PALTING ON SOLDER TAIL AREA.
 50u" MIN. NICKEL UNDERPLATING OVERALL.
 2.2 SHELL: 30u" MIN. NICKEL PLATED OVERALL.
 3. MECHANICAL SPECIFICATION:
 3.1 MATING FORCE: 35N MAX.
 3.2 UNMATING FORCE: 10N MIN.
 3.3 DURABILITY: 5000 CYCLES.

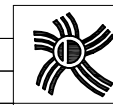
5704B0-007H*00R**

CUSTOMER CODE
 T: TRAY
 R: REEL
 HOUSING COLOR:
 0: BLACK
 1: BLUE
 CONTACTS LPATEING:
 1: Au G/F 2: Au 5u"
 3: Au 15u" 4: Au 30u"
 R: RoHS
 H: HALOGEN-FREE
 USB 2.0

USB 2.0 AF Pin Assignment:

Pin No.	1	2	3	4
Signal Name	VBUS	D-	D+	GND
Remark	USB2.0 Contact Pin			

DIM	TOL	DIM	TOL
x.	±0.35	x.	±2'
.x	±0.30		
.xx	±0.25		



DEREN
 SHENZHEN DEREN ELECTRONIC CO., LTD

CUSTOMER DRAWING	DATE	TITLE: USB 2.0 4P A/F -1.00CH 1.66H RVS DIP CONN
DESIGN: Alex_Z	2022.08.16	P/N: SEE TABLE
CHECK:		SHEET: 1/2
REV. 2	APPROVAL:	SCALE: 1:1 UNIT: mm

1 2 3 4 5 6 7 8

A

B

C

D

E

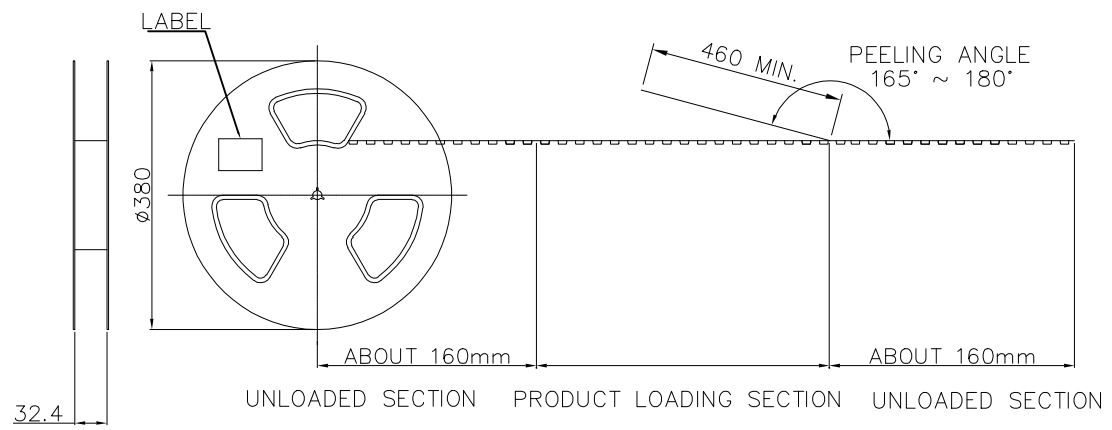
A

B

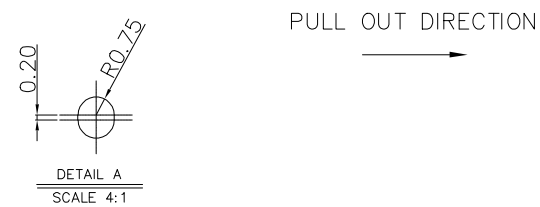
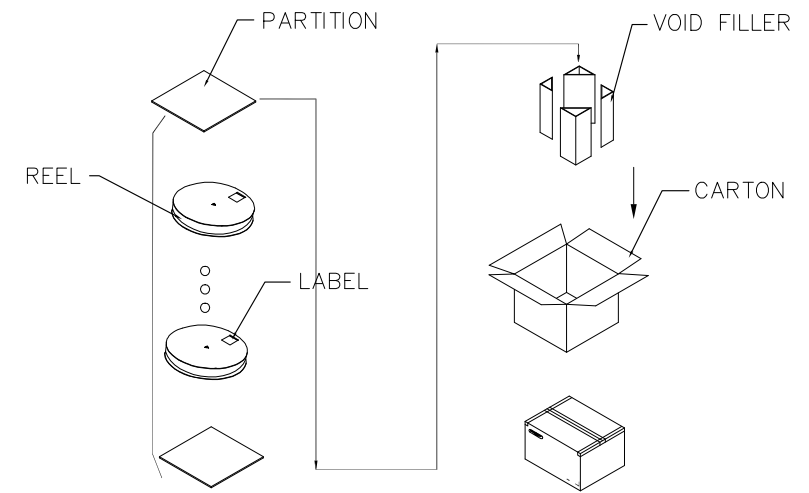
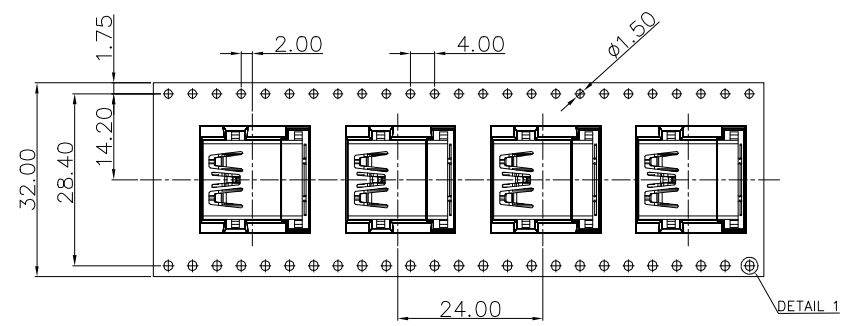
C

D

E



- NOTES :
- MATERIAL :
 COVER TAPE : PS,
 CARRIER TAPE : PS
 REEL : PS
 SHIPPING BOX: CORRUGATED FIBER
 PARTITION BOARD: CORRUGATED FIBER
 - DIMENSION :
 REEL : SEE DRAWING
 BOX : SEE DRAWING
 - QUANTITY : SEE TABLE
 - PEELING RESISTANCE: 10gf~150gf
 - PEELING SPEED : 300mm/MINUTES



DETAIL A
SCALE 4:1

550	10	5500
PCS/REEL	REEL/BOX	TOTAL Q'TY

DIM	TOL	DIM	TOL
.x		.x	
.xx			



DEREN
SHENZHEN DEREN ELECTRONIC CO., LTD

DRAW NO.	DESIGN:	Alex_Z	DATE	2022.08.16	TITLE:	USB 2.0 4P A/F -1.00CH 1.66H RVS DIP CONN
***	CHECK:				P/N:	SEE TABLE
REV.	2	APPROVAL:			SHEET:	2/2
					SCALE:	N/A UNIT: mm

1 2 3 4 5 6 7 8