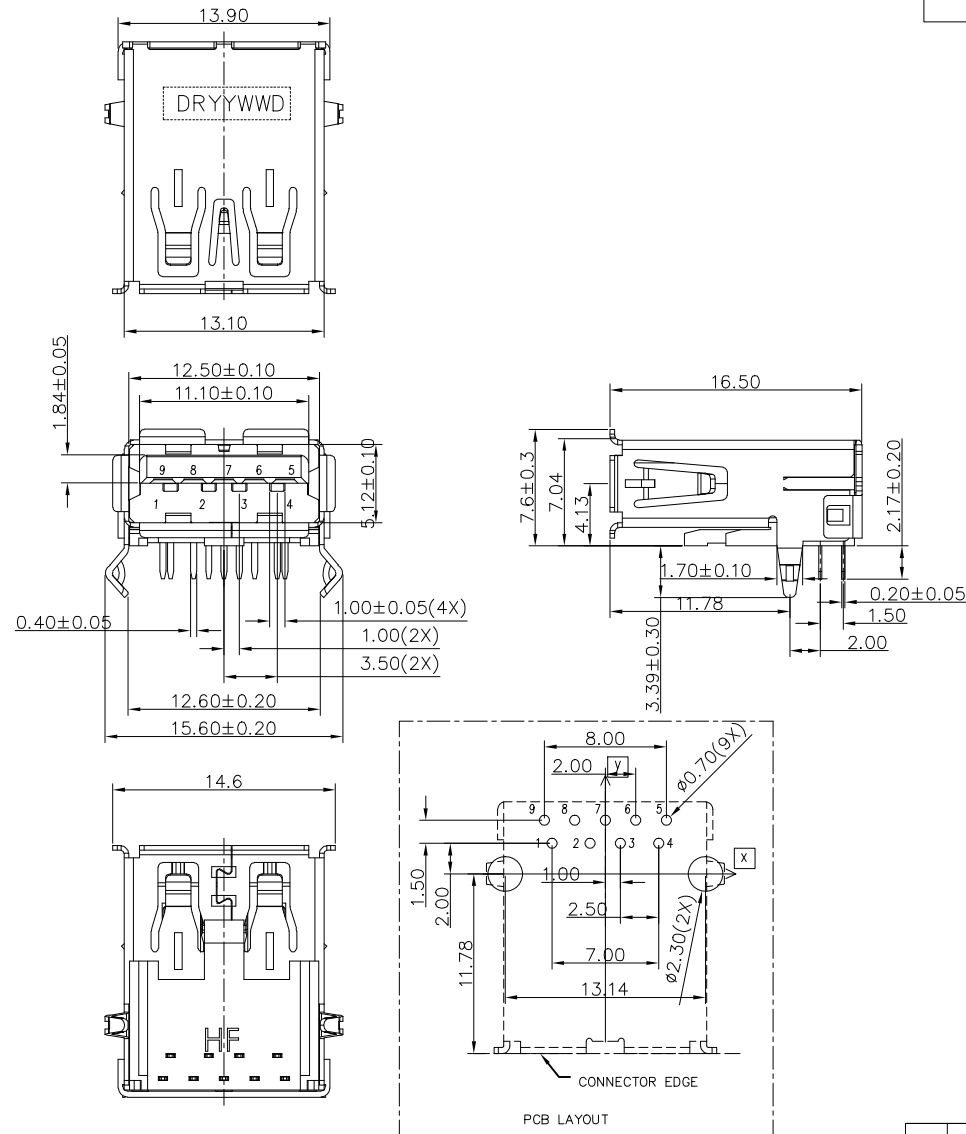


**HF**  
Halogen Free



REV.	ECN NO.	LOCATION	DESCRIPTION	DATE	DESIGN
1			INITIAL RELEASE	2019.09.12	Alex_Z



NOTES:  
 PRODUCT MEETS CONTROLLED SUBSTANCES SPEC. ROHS 2.0  
 1. MATERIAL:  
 1.1 HOUSING: PA9T, UL94V-0; COLOR: BLACK  
 1.2 CONTACT 2.0: PHOSPHOR BRONZE.  
 1.3 CONTACT 3.0: BRASS.  
 1.4 SHELL: SUS.  
 2. FINISH:  
 2.1 CONTACT: GOLD PLATING(SEE TABLE) ON CONTACT AREA.  
 80u"MIN. MATTE-TIN PALTING ON SOLDER TAIL AREA.  
 50u" MIN. NICKEL UNDERPLATING OVERALL.  
 2.2 SHELL: 30u" MIN. NICKEL PLATED OVERALL.  
 3. MECHANICAL SPECIFICATION:  
 3.1 MATING FORCE: 35N MAX.  
 3.2 UNMATING FORCE: 10N MIN.  
 3.3 DURABILITY: 5000 CYCLES.

5709B3-007H\*000R-\*\*

T: TRAY  
 R: REEL  
 CONTACTS LPATEING:  
 1: Au G/F 2: Au 5u"  
 3: Au 15u" 4: Au 30u"  
 R: RoHS  
 H: HALOGEN-FREE  
 USB

USB2.0 CONTACT PIN	PIN NO.	1	2	3	4
	SIGNAL NAME	VBUS	D-	D+	GND

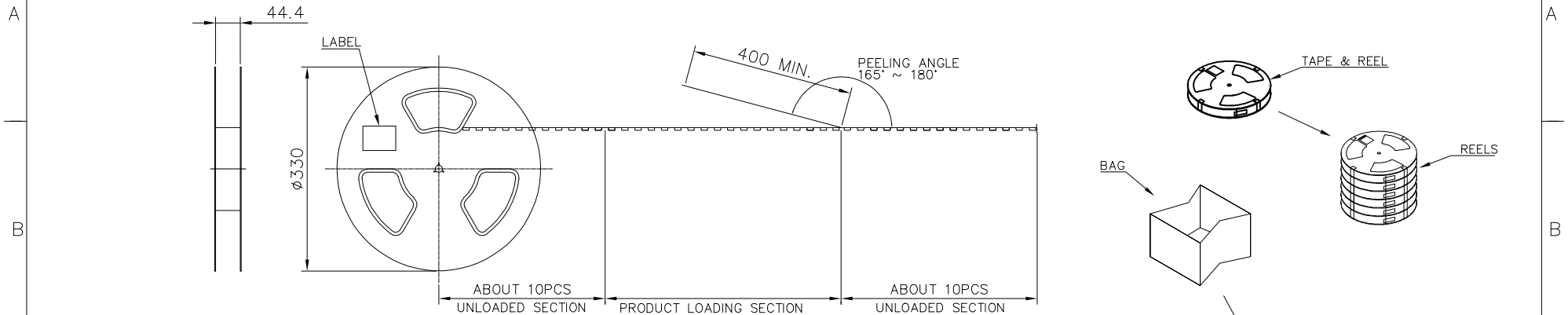
  

USB3.0 CONTACT PIN	PIN NO.	5	6	7	8	9
	SIGNAL NAME	StdA_SSRX-	StdA_SSRX+	GND_DRAIN	StdA_SSTX-	StdA_SSTX+

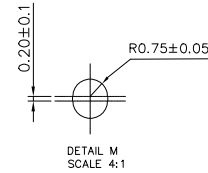
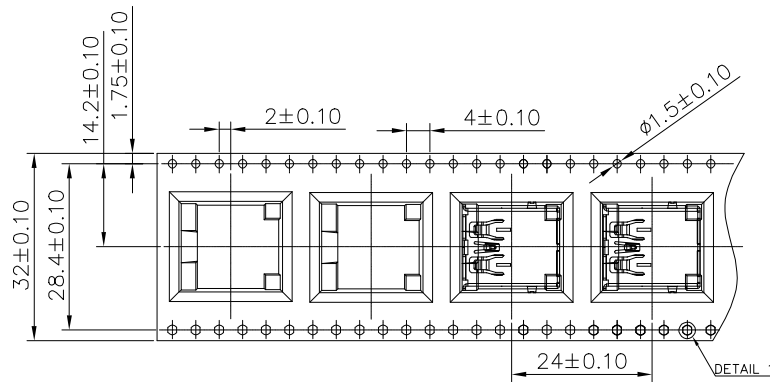
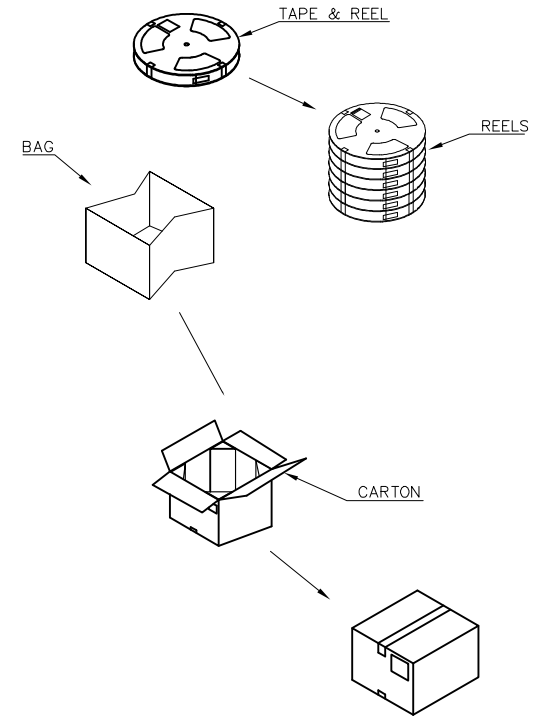
PIN DEFINE TABLE

<table border="1"> <thead> <tr> <th>DIM</th> <th>TOL</th> <th>DIM</th> <th>TOL</th> </tr> </thead> <tbody> <tr> <td>x.</td> <td>±0.35</td> <td>x.</td> <td>±2'</td> </tr> <tr> <td>.x</td> <td>±0.30</td> <td></td> <td></td> </tr> <tr> <td>.xx</td> <td>±0.25</td> <td></td> <td></td> </tr> </tbody> </table>	DIM	TOL	DIM	TOL	x.	±0.35	x.	±2'	.x	±0.30			.xx	±0.25			<p><b>DEREN</b> SHENZHEN DEREN ELECTRONIC CO., LTD</p>		CUSTOMER DRAWING		DATE	TITLE: USB 3.0 9P A/F 7.04H 4.13CH DIP CONN	
	DIM	TOL	DIM	TOL																			
	x.	±0.35	x.	±2'																			
.x	±0.30																						
.xx	±0.25																						
DRAW NO. ***		DESIGN: Alex_Z	2019.09.12	P/N: SEE TABLE																			
REV. 1		CHECK:		SHEET: 1/2																			
		APPROVAL:		SCALE: 1:1			UNIT: mm																

REEL PACKING DRAWING



USER DIRECTION OF UNREELING →



250	8	2000
PCS/REEL	REEL/CARTON	PCS/CARTON

DIM	TOL	DIM	TOL
x.		x.	
.x			
.xx			

		<b>DEREN</b> SHENZHEN DEREN ELECTRONIC CO., LTD		CUSTOMER DRAWING		DATE	TITLE: USB 3.0 9P A/F 7.04H 4.13CH DIP CONN
				DESIGN: Alex_Z	2019.09.12	P/N: SEE TABLE	
DRAW NO. ***		CHECK:		SHEET: 2/2			
REV. 1		APPROVAL:		SCALE: N/A		UNIT: mm	