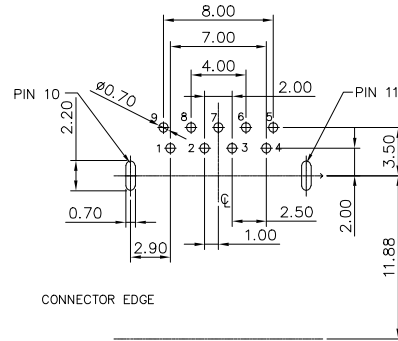
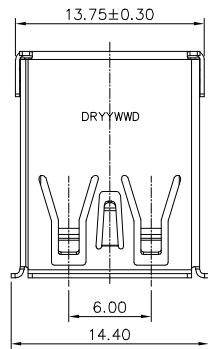


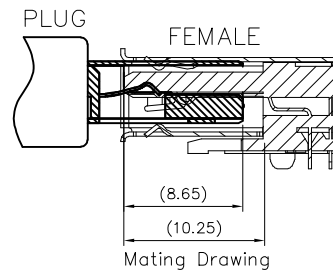
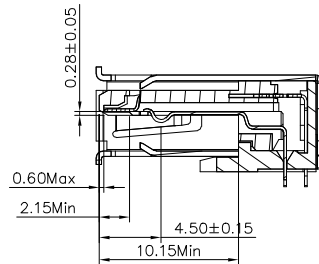
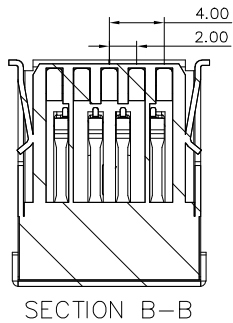
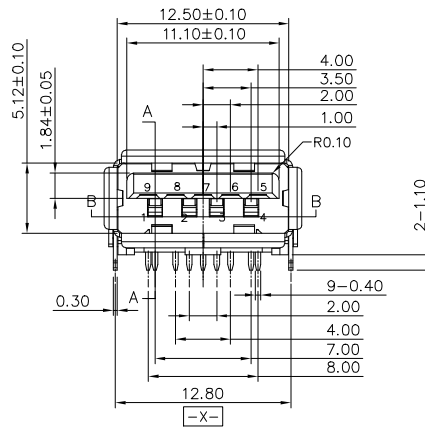
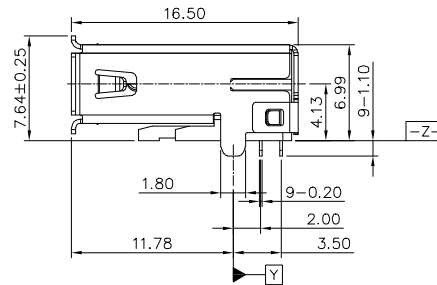
HF
Halogen Free



REV.	ECN NO.	LOCATION	DESCRIPTION	DATE	DESIGN
1			INITIAL RELEASE	2020.03.04	Alex_Z



RECOMMENDED P.C.B LAYOUT
P.C.B TOLERANCES ±0.05mm
(TOP VIEW)



NOTES:

PRODUCT MEETS CONTROLLED SUBSTANCES SPEC. ROHS 2.0

1. MATERIAL:

- 1.1 HOUSING: PA9T, UL94V-0; COLOR: SEE TABLE.
- 1.2 INNER INSULATOR: PA9T, UL94V-0; COLOR: SEE TABLE.
- 1.3 CONTACT 2.0: PHOSPHOR BRONZE.
- 1.4 CONTACT 3.0: BRASS.
- 1.5 SHELL: STAINLESS STEEL.

2. FINISH:

- 2.1 CONTACT: GOLD PLATING(SEE TABLE) ON CONTACT AREA.
100u"MIN. MATTE-TIN PLATING ON SOLDER TAIL AREA.
50u" MIN. NICKEL UNDERPLATING OVERALL.
- 2.2 SHELL: 50u" MIN. NICKEL PLATED OVERALL.

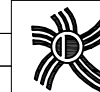
3. MECHANICAL SPECIFICATION:

- 3.1 MATING FORCE: 35N MAX.
- 3.2 UNMATING FORCE: 10N MIN.
- 3.3 DURABILITY: 5000 CYCLES.
- 4. WAVE SOLDER CAPABLE TO 260°C MAX 5S.

5. PART NUMBER DESCRIPTION:

5709B9-016H* *00R-**

- T: TRAY
- R: REEL
- 0: BLACK
- 1: BLUE
- CONTACTS LPATEING:
- 1: Au G/F 2: Au 5u"
- 3: Au 15u" 4: Au 30u"
- R: RoHS
- H: HALOGEN FREE
- USB



DEREN
SHENZHEN DEREN ELECTRONIC CO., LTD

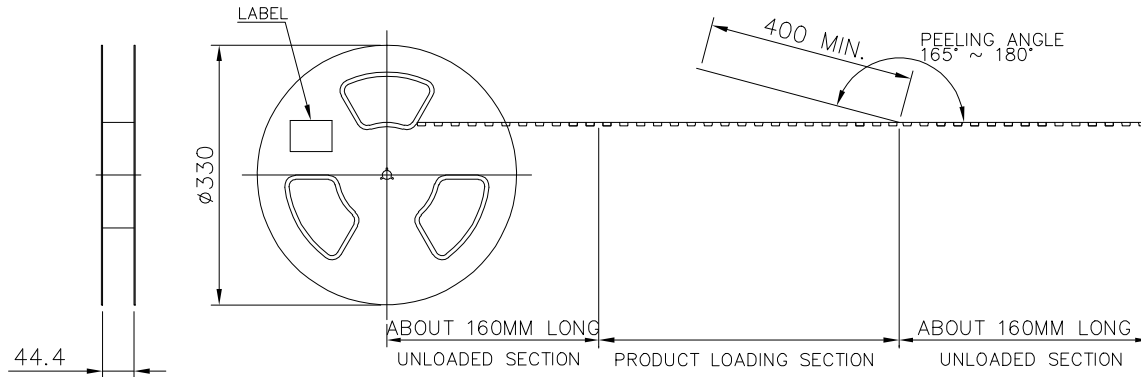
DIM	TOL	DIM	TOL
x.	±0.35	x.	±2'
.x	±0.30		
.xx	±0.25		

DRAW NO.	***
REV.	1

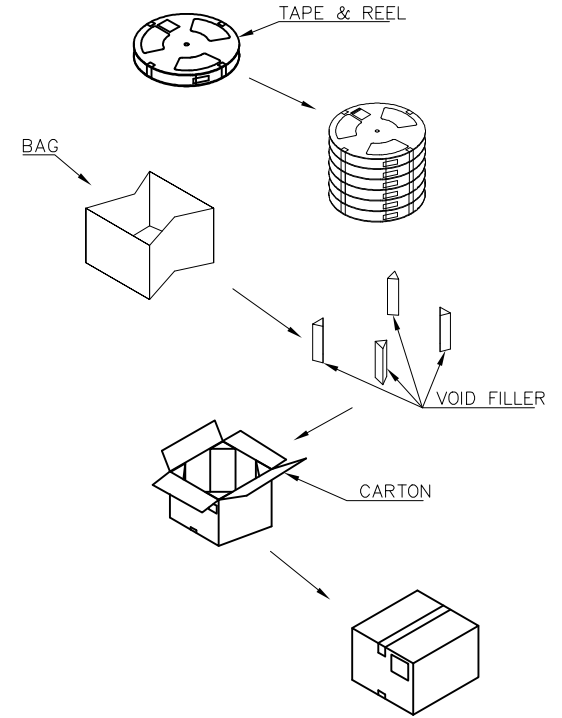
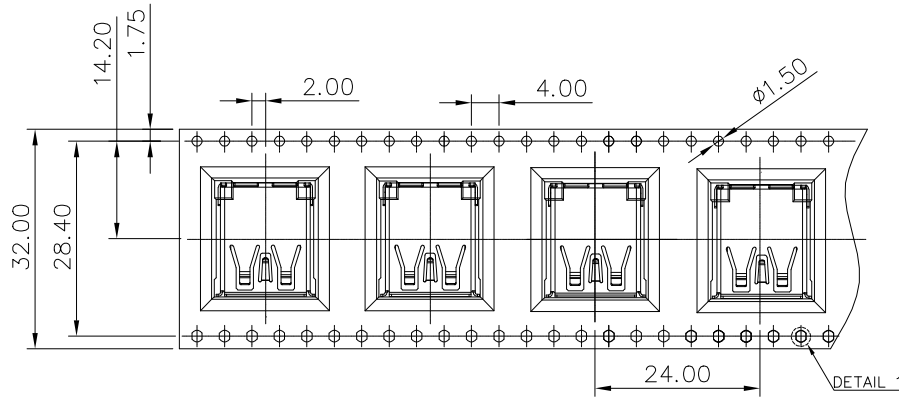
CUSTOMER DRAWING	DATE
DESIGN: Alex_Z	2020.03.04
CHECK:	
APPROVAL:	

TITLE: USB 3.1 9P A/F 4.13CH 11.78D 6.99H DIP CONN	P/N: SEE TABLE
SHEET: 1/2	UNIT: mm
SCALE: 1:1	

PACKING DRAWING




USER DIRECTION OF UNREELING →



250	8	2000
PCS/REEL	REEL/CARTON	PCS/CARTON

DIM	TOL	DIM	TOL
x.		x.	
.x			
.xx			

 <p>DEREN SHENZHEN DEREN ELECTRONIC CO., LTD</p>	CUSTOMER DRAWING		DATE	TITLE: USB 3.1 9P A/F 4.13CH 11.78D 6.99H DIP CONN
	DESIGN: Alex_Z	2020.03.04	P/N: SEE TABLE	
DRAW NO. ***	CHECK:		SHEET: 2/2	
REV. 1	APPROVAL:		SCALE: N/A	UNIT: mm