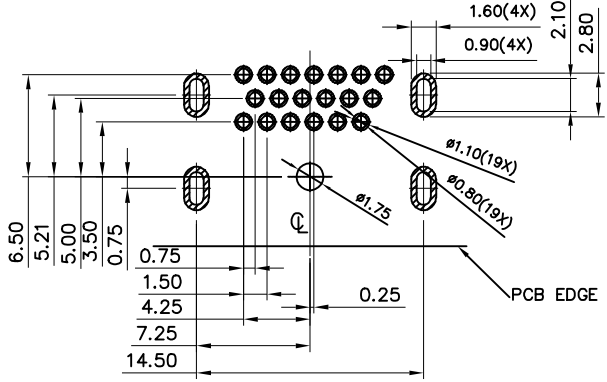
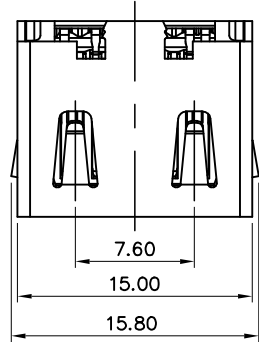


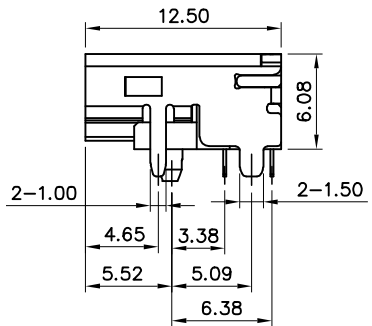
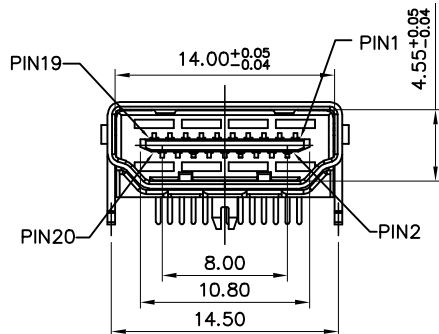
**HF**  
Halogen Free



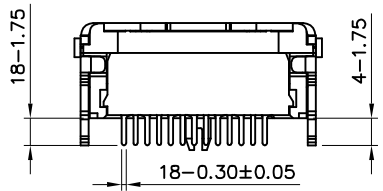
REV.	ECN NO.	LOCATION	DESCRIPTION	DATE	DESIGN
1			INITIAL RELEASE	2019.05.03	Alex_Z



RECOMMEND P.C.B LAYOUT  
TOLERANCES:  $\pm 0.05$ ;

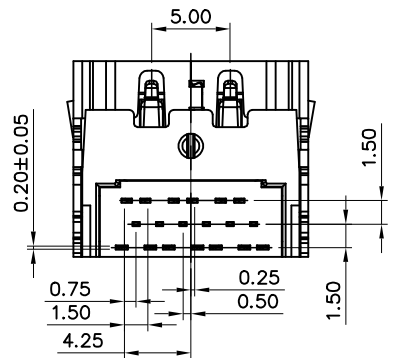


- NOTES:  
 PRODUCT MEETS CONTROLLED SUBSTANCES SPEC. ROHS 2.0  
 1. MATERIAL:  
 1.1 HOUSING: LCP, UL94V-0; COLOR: BLACK  
 1.2 CONTACT: BRASS.  
 1.3 SHELL: BRASS.  
 2. FINISH:  
 2.1 CONTACT:  
 GOLD PLATING(SEE DESCRIPTION) ON CONTACT AREA.  
 80u" MIN. MATTE-TIN PLATING ON SOLDER TAIL AREA.  
 50u" MIN. NICKEL UNDERPLATING OVERALL.  
 2.2 SHELL: 30u" MIN. NICKEL UNDERPLATING OVERALL.  
 3. DATE CODE: CODE SPURTING OR LASER



570KB7-003\*-\*000\*-\*\*

- T: TRAY  
 R: REEL  
 CONTACTS LPATEING:  
 1: Au G/F 2: Au 5u"  
 3: Au 15u" 4: Au 30u"  
 R: RoHS  
 H: HALOGEN-FREE  
 HDMI



DIM	TOL	DIM	TOL
.x	$\pm 0.30$	.x	$\pm 3'$
.xx	$\pm 0.25$		
.xxx			



<b>DEREN</b> SHENZHEN DEREN ELECTRONIC CO., LTD		CUSTOMER DRAWING		DATE	TITLE: HDMI2.1 19P 6.08H A/F STD DIP CONN
DRAW NO. ***		DESIGN: Alex_Z	2019.05.03	P/N: SEE TABLE	
REV. 1		CHECK:		SHEET: 1/2	
APPROVAL:				SCALE: 1:1	UNIT: mm