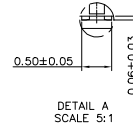
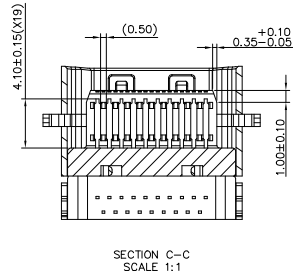
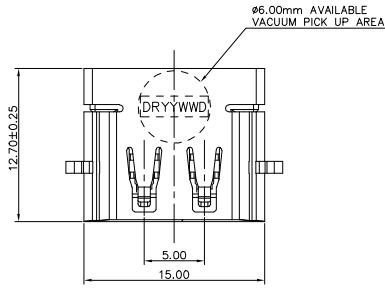
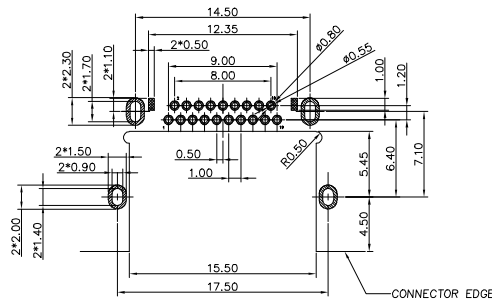
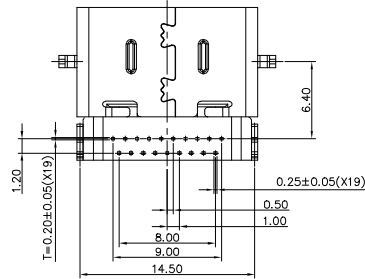
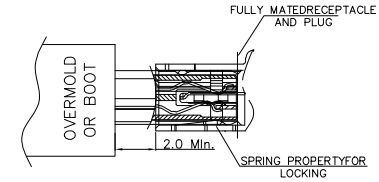
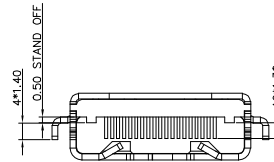
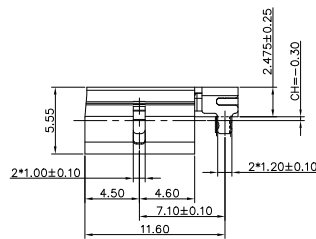
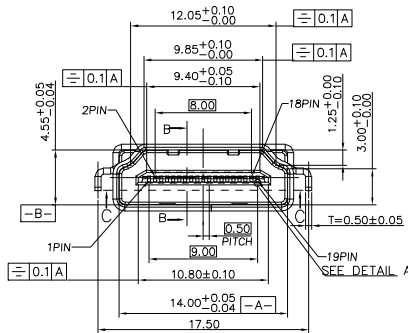


HF
Halogen Free

REV.	ECN NO.	LOCATION	DESCRIPTION	DATE	DESIGN
1			INITIAL RELEASE	2020.06.07	Alex_Z
2			UPDATE THE PLATING	2021.08.18	Alex_Z



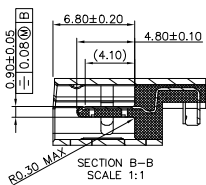
NOTES:
 PRODUCT MEETS CONTROLLED SUBSTANCES SPEC. ROHS 2.0
 1. MATERIAL:
 1.1 HOUSING: LCP, UL94V-0; COLOR: BLACK
 1.2 CONTACT: BRASS.
 1.3 SHELL: SUS.
 2. FINISH:
 2.1 CONTACT:
 GOLD PLATING(SEE DESCRIPTION) ON CONTACT AREA.
 80u" MIN. MATTE-TIN PLATING ON SOLDER TAIL AREA.
 50u" MIN. NICKEL UNDERPLATING OVERALL.
 2.2 SHELL: 30u" MIN. NICKEL UNDERPLATING OVERALL.
 3. DATE CODE: CODE SPURTING OR LASER



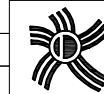
RECOMMENDED PCB THICKNESS: 1.00±0.05
 COMPONENT SIDE (TOL: ±0.05)

570KB7-012H*000R-**

T: TRAY
 R: REEL
 CONTACTS LPLATING:
 1: Au G/F 2: Au 3u"
 3: Au 15u" 4: Au 30u"
 R: RoHS
 H: HALOGEN-FREE
 HDMI



DIM	TOL	DIM	TOL
.x	±0.30	.x	±3'
.xx	±0.25		

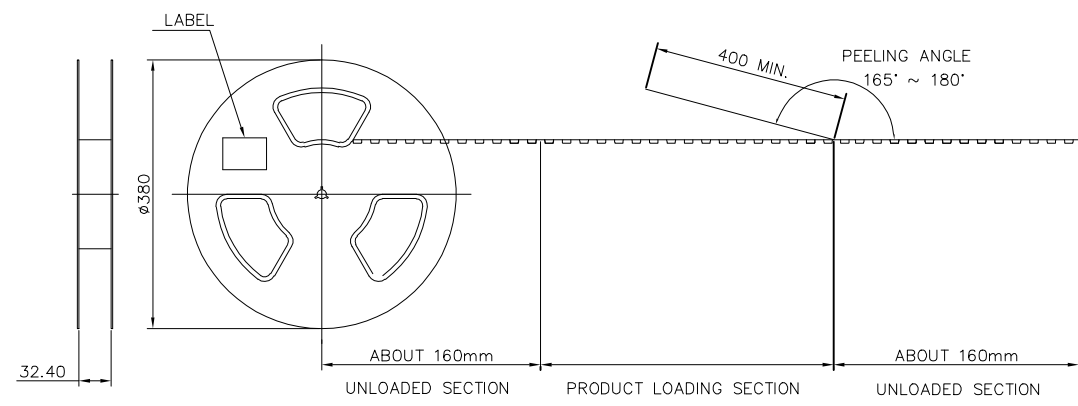


DEREN
 SHENZHEN DEREN ELECTRONIC CO., LTD

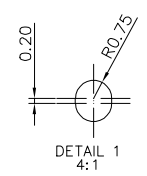
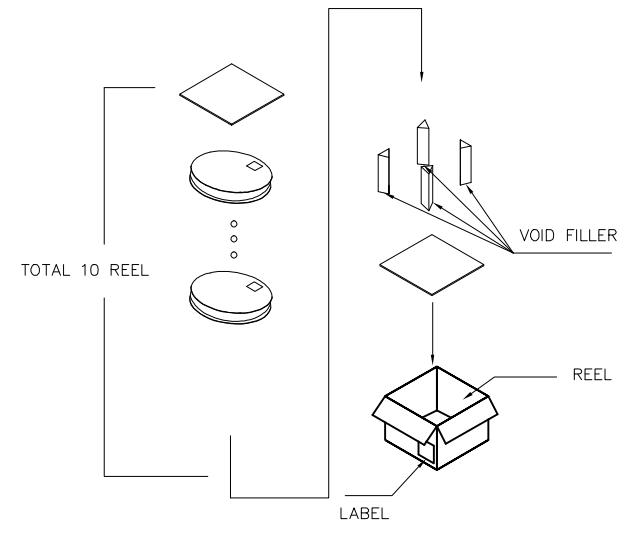
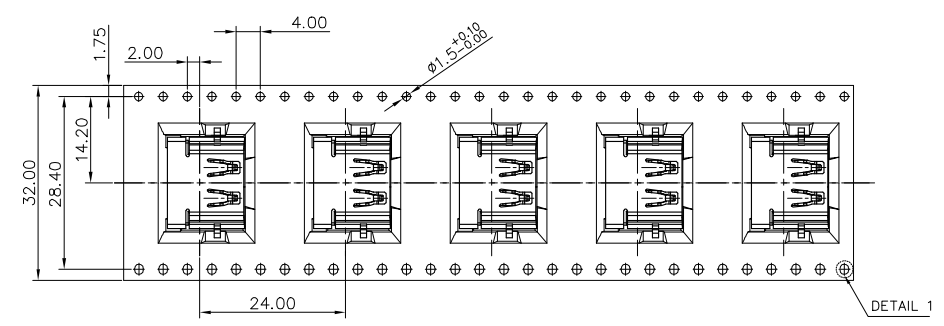
CUSTOMER DRAWING	DATE	TITLE: HDMI A/F 19P -0.30CH RVS DIP CONN
DESIGN: Alex_Z	2021.08.18	P/N: SEE TABLE
CHECK:		SHEET: 1/2
REV. 2	APPROVAL:	SCALE: 1:1 UNIT: mm

1 2 3 4 5 6 7 8

A
B
C
D
E




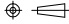
- NOTES :
- MATERIAL :
COVER TAPE : PS,
CARRIER TAPE : PS
REEL : PS
SHIPPING BOX: CORRUGATED FIBER
PARTITION BOARD: CORRUGATED FIBER
 - DIMENSION :
REEL : SEE DRAWING
BOX : SEE DRAWING
 - QUANTITY : SEE TABLE
 - PEELING RESISTANCE: 10gf~150gf (for 72mm)
 - PEELING SPEED : 300mm/MINUTES



PULL OUT DIRECTION
→

600	10	6000
PCS/REEL	REEL/BOX	TOTAL Q'TY

DIM	TOL	DIM	TOL
.x		.x	
.x		.x	
.xx			

 DEREN SHENZHEN DEREN ELECTRONIC CO., LTD		CUSTOMER DRAWING	DATE	TITLE: HDMI A/F 19P -0.30CH RVS DIP CONN
		DESIGN: Alex_Z	2021.08.18	P/N: SEE TABLE
DRAW NO. ***	CHECK:		SHEET: 2/2	
REV. 2	APPROVAL:		SCALE: N/A	UNIT: mm

1 2 3 4 5 6 7 8