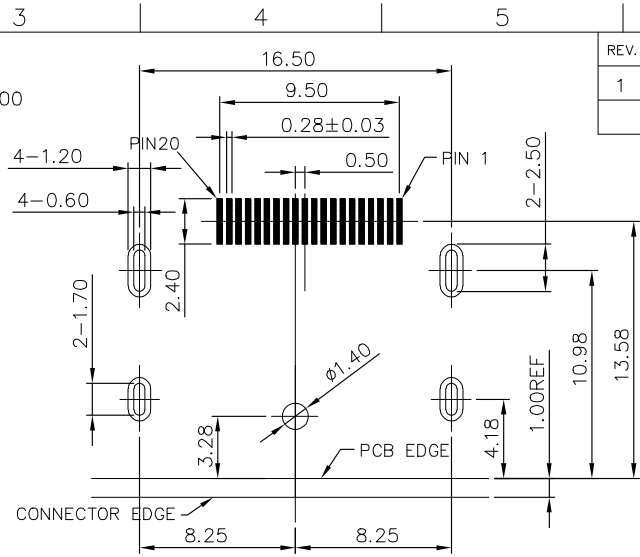
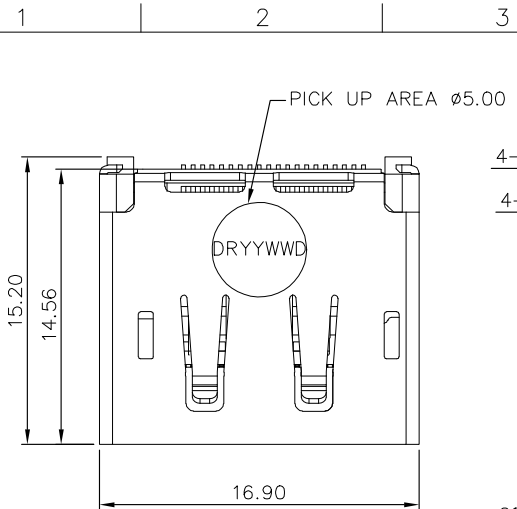
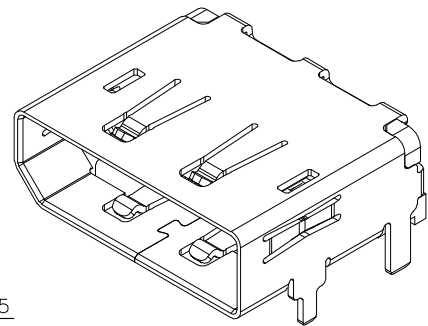
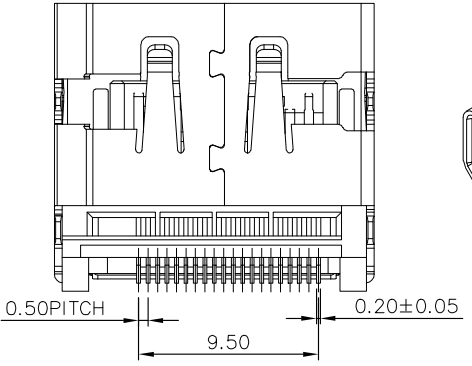
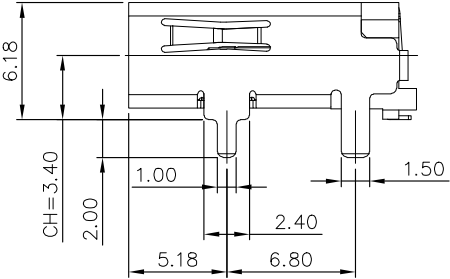
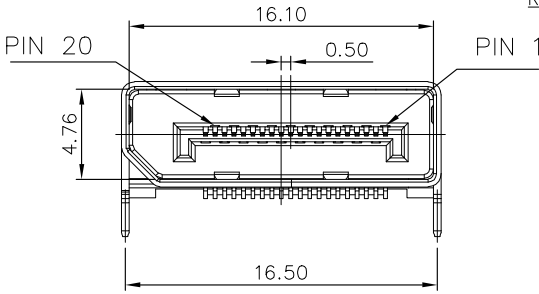


**HF**  
Halogen Free

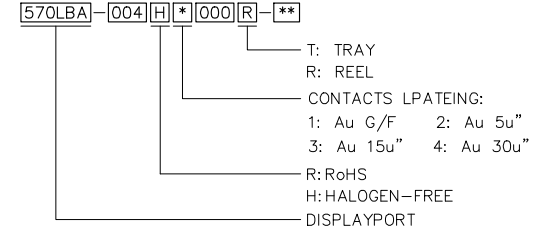


RECOMMENDED P.C.B LAYOUT(PCB THICKNESS: 1.6mm)  
COMPONENT SIDE VIEW(TOLERANCE: ±0.05)



REV.	ECN NO.	LOCATION	DESCRIPTION	DATE	DESIGN
1			INITIAL RELEASE	2020.08.25	Alex_Z

- NOTES:
- MATERIAL:
    - 1-1 HOUSING: LCP UL 94V-0 COLOR: BLACK
    - 1-2 CONTACT: COPPER ALLOY.
    - 1-3 SHELL: COPPER ALLOY.
  - PLATING:
    - 2-1 TERMINAL:
      - GOLD PLATEN(SEE TABLE) ON CONTACT AREA AND 80μ" MIN. MATTE-TIN ON SOLDER TAIL WITH ENTIRE CONTACT UNDERPLATED 50μ" MIN.NICKEL.
      - 2-2 SHELL: 30μ" MIN. NICKEL PLATED.
  - ELECTRICAL CHARACTERISTICS:
    - 3-1 CONTACT CURRENT RATING: 0.5A MIN. APPLIED VOLTAGE RATING: 40V AC
    - 3-2 CONTACT RESISTANCE: INITIAL 40 MILLIOHMS MAX MATED CONNECTOR APPLY 300V AC
    - 3-3 DIELECTRIC STRENGTH: UNMATED CONNECTORS APPLY 500V AC MATED CONNECTOR APPLY 300V AC
    - 3-4 INSULATION RESISTANCE: 100 MEGAOHMS MIN.(UNMATED) 10 MEGAOHMS MIN.(MATED)
  - MECHANICAL CHARACTERISTICS:
    - 4-1 MATING FORCE: 4.5KGF MAX.
    - 4-2 UNMATING FORCE: 1~4KGF.
    - 4-3 DURABILITY: 10000 CYCLE.
  - RECOMMENDED PROCESS:
    - 5-1 WAVE SOLDER PEAK TEMPERATURE 270°C, 10SEC MAX.
    - 5-2 REFLOW SOLDERING (SMD COMPONENT), OVEN TEMPERATURE: 260°C, 5SEC.

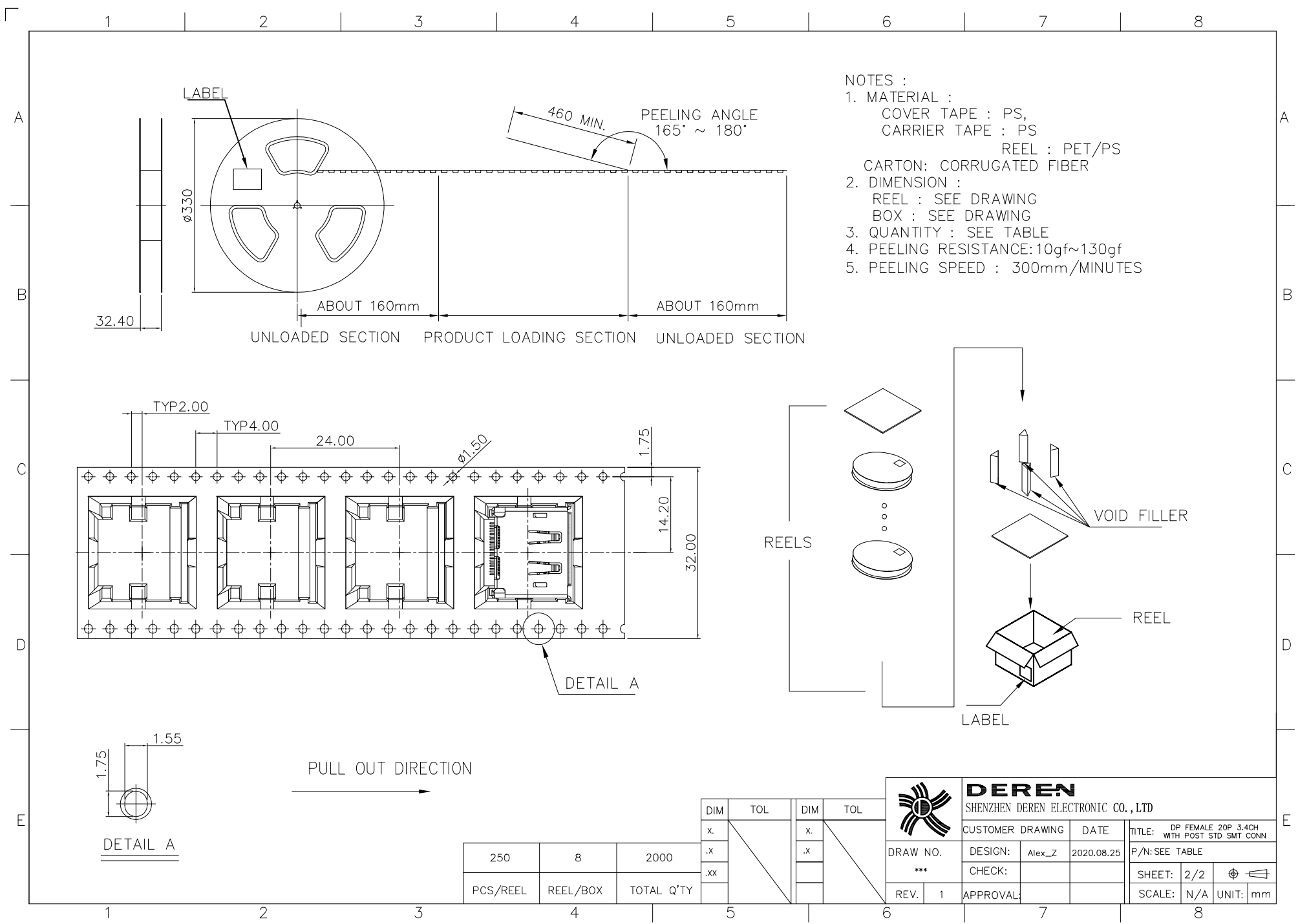


DIM	TOL	DIM	TOL
.x	±0.38	x.	±2'
.xx	±0.25	.x	±1'
.xxx	±0.10		

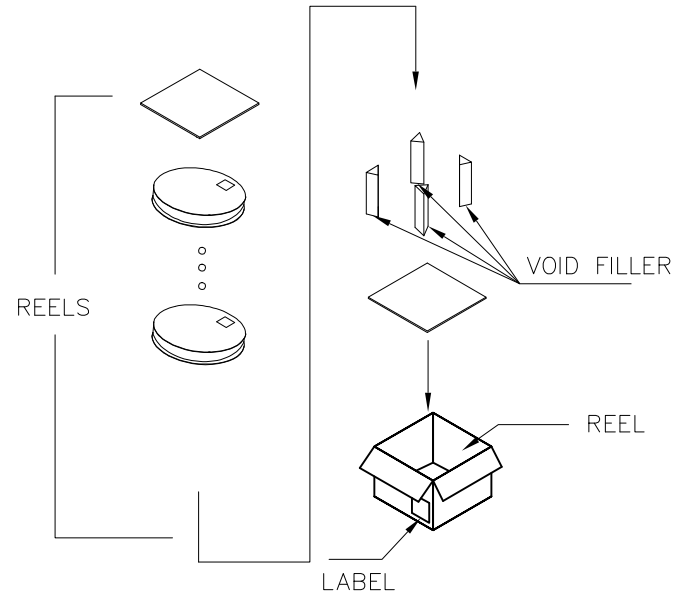
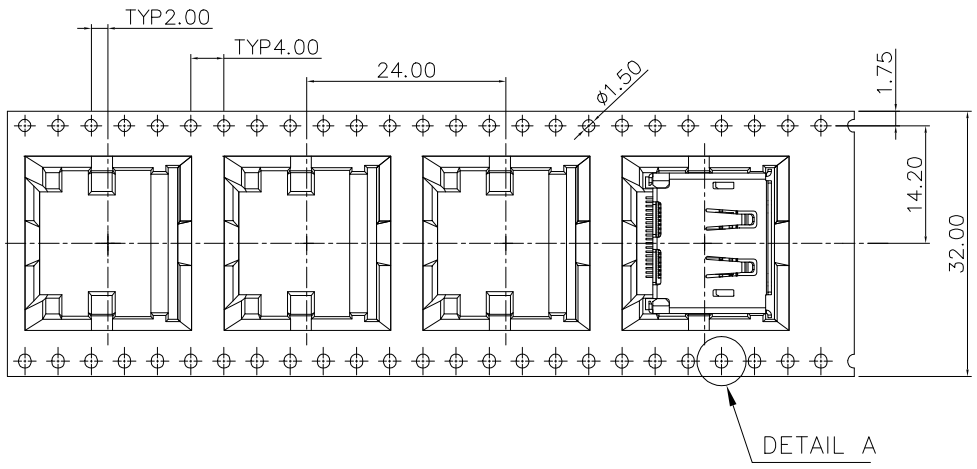
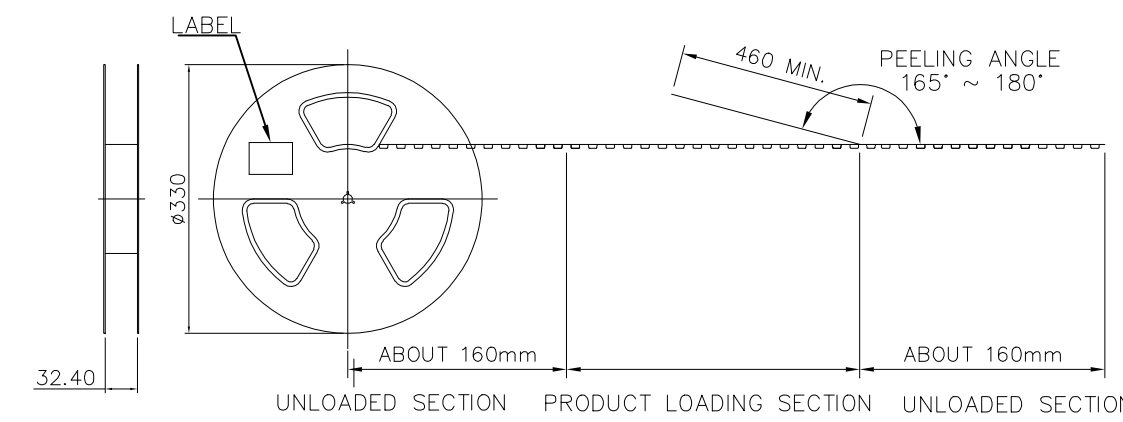


**DEREN**  
SHENZHEN DEREN ELECTRONIC CO., LTD

CUSTOMER DRAWING	DATE	TITLE: DP FEMALE 20P 3.4CH WITH POST STD SMT CONN
DESIGN: Alex_Z	2020.08.25	P/N: SEE TABLE
CHECK:		SHEET: 1/2
REV. 1	APPROVAL:	SCALE: 1:1 UNIT: mm




- NOTES :
- MATERIAL :  
COVER TAPE : PS,  
CARRIER TAPE : PS  
REEL : PET/PS  
CARTON: CORRUGATED FIBER
  - DIMENSION :  
REEL : SEE DRAWING  
BOX : SEE DRAWING
  - QUANTITY : SEE TABLE
  - PEELING RESISTANCE: 10gf~130gf
  - PEELING SPEED : 300mm/MINUTES



250	8	2000
PCS/REEL	REEL/BOX	TOTAL Q'TY

DIM	TOL	DIM	TOL
x.		x.	
.x		.x	
.xx			

 <b>DEREN</b> SHENZHEN DEREN ELECTRONIC CO., LTD		CUSTOMER DRAWING		DATE	TITLE: DP FEMALE 20P 3.4CH WITH POST STD SMT CONN
		DESIGN: Alex_Z	2020.08.25	P/N: SEE TABLE	
DRAW NO. ***		CHECK:		SHEET: 2/2	
REV. 1	APPROVAL:			SCALE: N/A	UNIT: mm