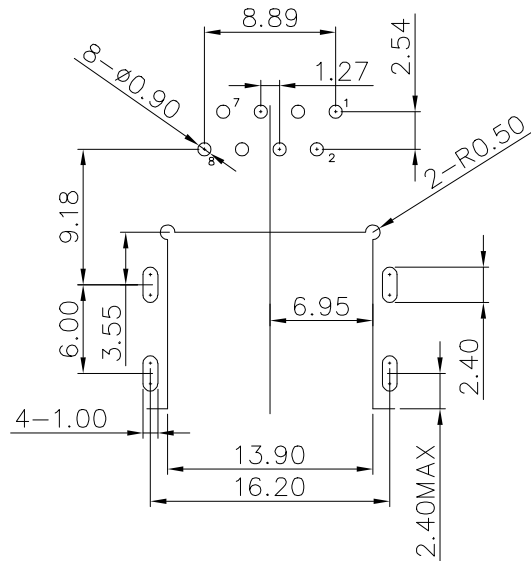
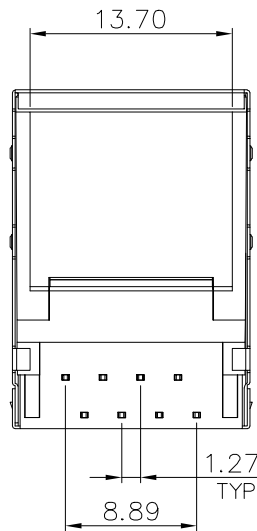
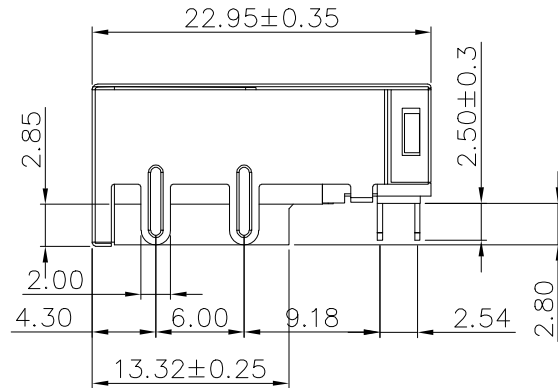
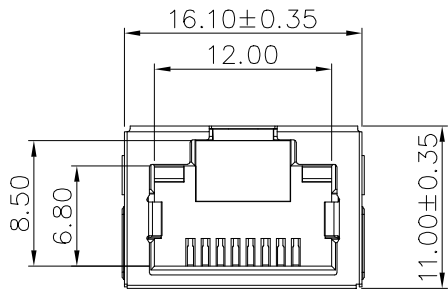




REV.	ECN NO.	LOCATION	DESCRIPTION	DATE	DESIGN
1			INITIAL RELEASE	2019.06.14	Alex_Z

- MATERIAL
 - HOUSING : LCP, UL 94V-0, BLACK.
 - RJ CONTACTS : PHOSPHOR BRONZE.
 - PLATING : SELECT GOLD ON CONTACT AREA (SEE PART NO),
100u" MIN TIN PLATING ON SOLDER TAILS, 30u"MIN NICKEL OVERALL.
 - SOLDER TAIL TERMINAL : BRASS.
 - PLATING : 100u" MIN BRIGHT TIN; 30u"MIN NICKEL OVERALL.
 - SHIELD : COPPER ALLOY WITH NICKEL PLATED.
- RJ45 SPECIFICATIONS
 - INSULATION RESISTANCE : 500 MOHMS MIN.
 - INSERTION FORCE WITH THE LATCH DEPRESSED : 22N MAX
 - REMOVAL FORCE WITH THE LATCH DEPRESSED : 44N MAX
 - DURABILITY : 750 CYCLES.
- OPERATING AND STORAGE TEMPERATURE
 - OPERATING TEMPERATURE : -40°C TO +85°C
 - STORAGE TEMPERATURE : -40°C TO +85°C

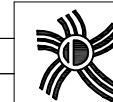


5708B8-007H*000*-**

T: TRAY
R: REEL
CONTACTS LPATEING:
1: Au G/F 2: Au 5u"
3: Au 15u" 4: Au 30u"
R:RoHS
H:HALOGEN-FREE
RJ45

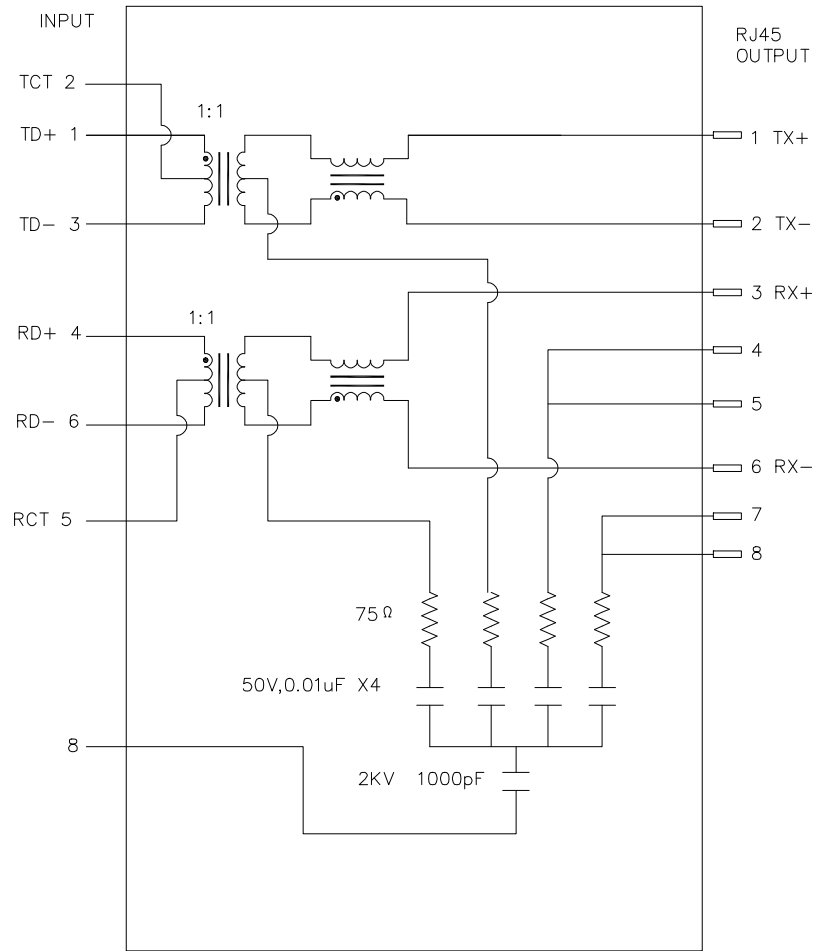
RECOMMENDED PCB LAYOUT

DIM	TOL	DIM	TOL
x.	±0.35	x.	±2'
.x	±0.30		
.xx	±0.25		



DEREN
SHENZHEN DEREN ELECTRONIC CO., LTD

CUSTOMER DRAWING		DATE	TITLE: RJ45 8P 8.15H WITHOUT LED WITH TRANSFORMER STD DIP CONN	
DRAW NO.	DESIGN:	Alex_Z	2019.06.14	P/N: SEE TABLE
***	CHECK:			SHEET: 1/3
REV.	APPROVAL:			SCALE: 1:1 UNIT: mm
1				



TRANSFORMER ELECTRICAL:

- 1: INSERTION LOSS:
1-100MHz -1.0dB MAX
- 2: RETURN LOSS:
1-30MHz -18dB MIN
30-60MHz -16dB MIN
60-80MHz -12dB MIN
80-100MHz -10dB MIN
- 3: Cross Talk:
1-100MHz -30dB MIN
- 4: CMRR:
1-100MHz -30dB MIN
- 5: Inductance:
350uH Min.@1~100KHz 0.1V RMS,DC 8mA BIAS
- 6: HIPOT TEST:
INPUT TO OUTPUT:AC 1500V 6SEC

DIM		TOL		DIM		TOL		DEREN SHENZHEN DEREN ELECTRONIC CO., LTD			
x.	±0.35	x.	±2'	DRAW NO.		CUSTOMER DRAWING	DATE	TITLE: RJ45 8P 8.15H WITHOUT LED WITH TRANSFORMER STD DIP CONN			
.x	±0.30			***		DESIGN:	Alex_Z	2019.06.14	P/N: SEE TABLE		
.xx	±0.25			REV.	1	CHECK:			SHEET:	2/3	
				APPROVAL:					SCALE:	N/A	UNIT: mm