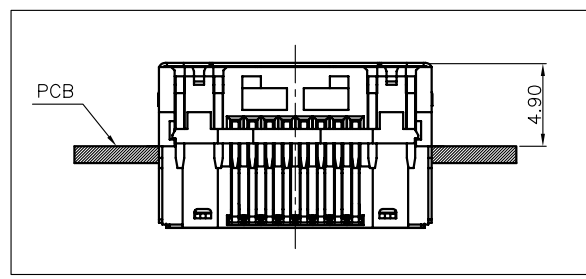
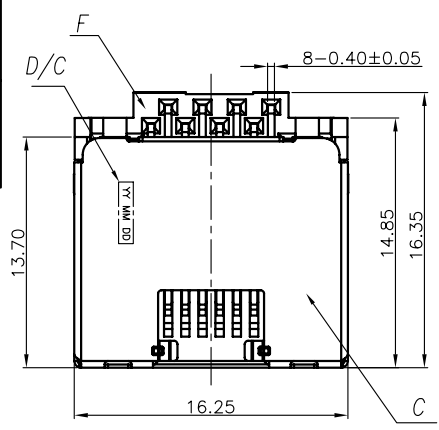


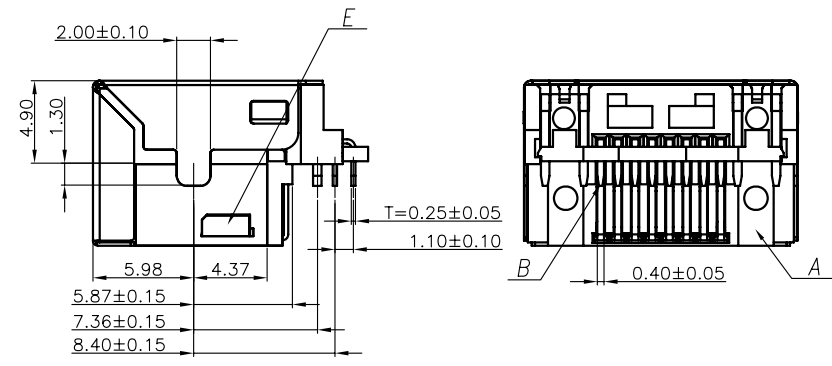
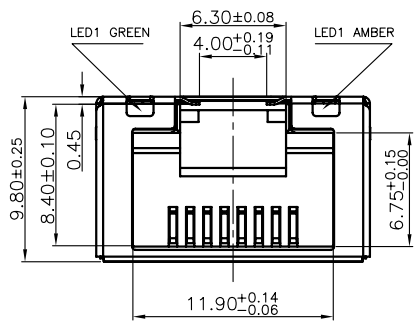


REV.	ECN NO.	LOCATION	DESCRIPTION	DATE	DESIGN
X1			INITIAL RELEASE	2018.09.17	DWQ
X6			UPDATE THE APPEARANCE	2019.01.27	Alex_Z
X8			UPDATEU SHELL STRUCTURE ANG PIN DEFINITION	2019.02.15	Alex_Z

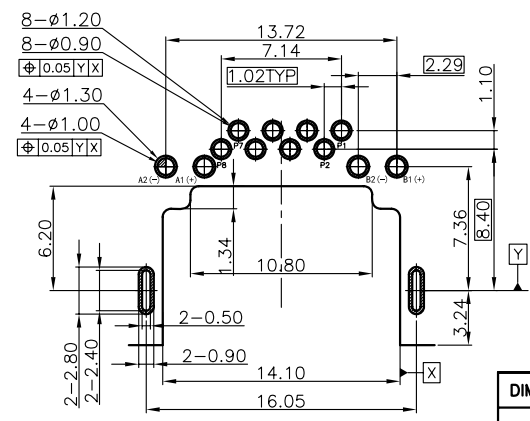
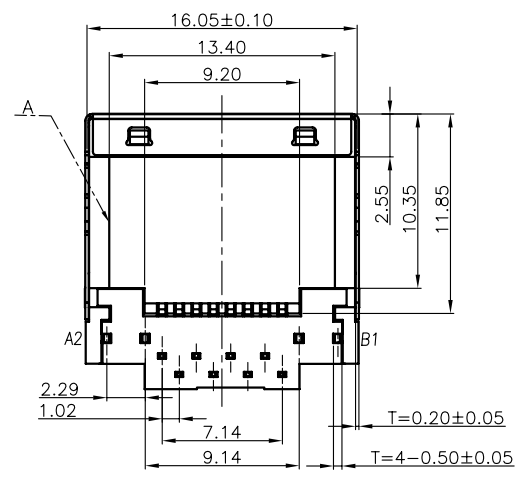


NOTES:
 PRODUCT MEETS CONTROLLED SUBSTANCES SPEC. ROHS 2.0
 1. MATERIAL: SEE TABLE
 2. FINISH: SEE TABLE
 3. MECHANICAL SPECIFICATION:
 3.1 MATING FORCE: 2.25Kgf. MAX. WITH LATCH DEPRESSED.
 3.2 UNMATING FORCE: 4.5Kgf. MAX. WITH LATCH DEPRESSED.
 3.3 DURABILITY: 5000 CYCLES.
 3.4 OPERATING TEMPERATURE: -30°C ~ +70°C.
 4. PART NUMBER DESCRIPTION: SEE TABLE

PIN 1	TX0+
PIN 2	TX0-
PIN 3	RX1+
PIN 4	TX2+
PIN 5	TX2-
PIN 6	RX1-
PIN 7	TX3+
PIN 8	TX3-
PIN 9	A1_GREEN+
PIN 10	A2_GREEN-
PIN 11	B1_AMBER+
PIN 12	B2_AMBER-



570C05-001H	G/F	BLACK	REEL	HF
P/N	FINISH	COLOR	PACKING	ROHS/HF
LED ELECTRICAL CHARACTERISTIC				
NODE	COLOR	SYMBOL	WAVELENGTH	FORWARD CURRENT
A1(+) A2(-)	GREEN	A1 A2	564-577nm	If=20mA
B1(+) B2(-)	YELLOW	B1 B2	584-594nm	If=20mA
F	GAP	1	LCP	UL94 V-0, BLACK
E	DEFEND	1	LCP	UL94 V-0, BLACK
D	LED	2		GREEN/AMBER
C	SHELL	1	SUS	Ni 40u"~60u"
B	CONTACT	8	C5191	Au(1~3u") on contact area, matte Tin 120u" on solder all over 50u" Ni
A	HOUSING	1	LCP	UL94 V-0, BLACK
ITEM	PART	Q'TY	MATERIAL	COLOR/PLATED/NOTE



RECOMMENDED PCB LAYOUT
 COMPONENT SIDE (t=1.2mm tol:±0.05)

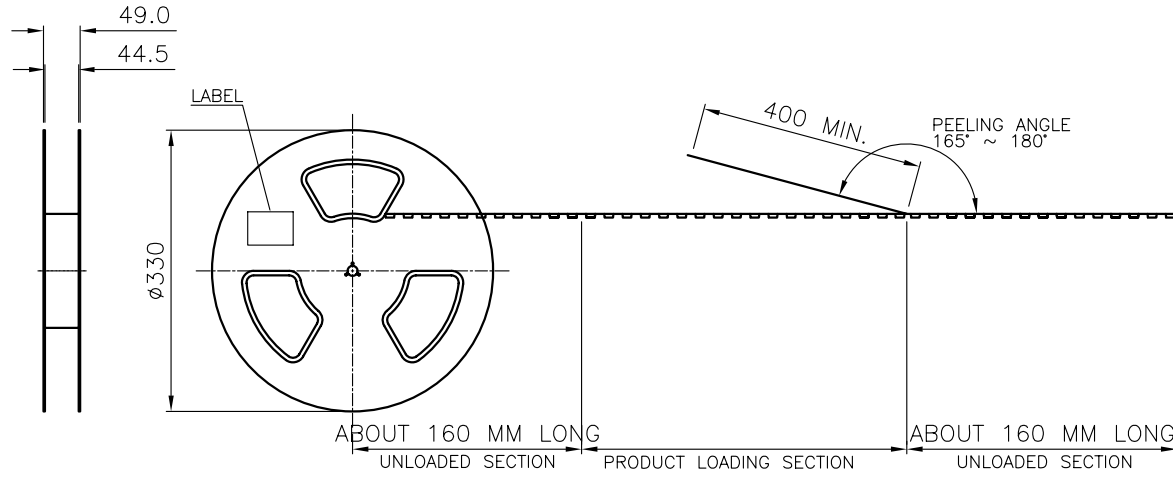
DIM	TOL	DIM	TOL
x	±0.35	x	±2'
.x	±0.30		
.xx	±0.25		

DEREN
 SHENZHEN DEREN ELECTRONIC CO., LTD

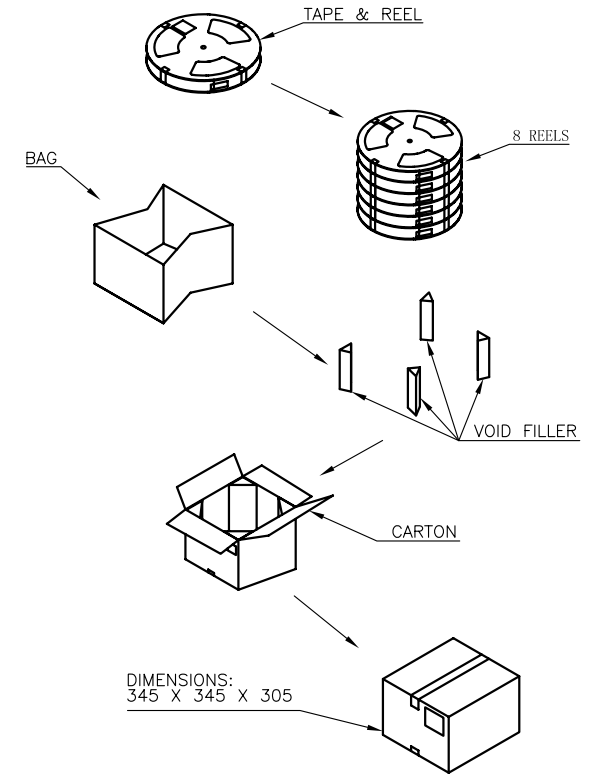
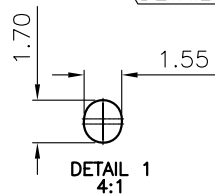
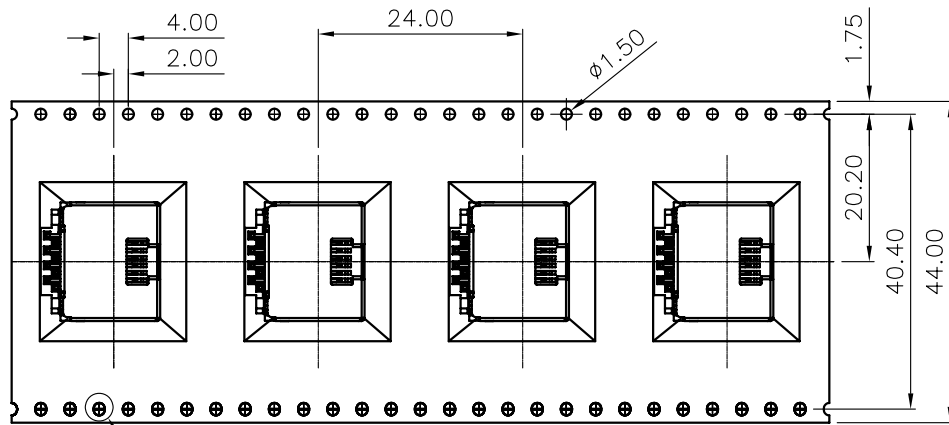
CUSTOMER DRAWING	DATE	TITLE: RJ45 DIP CONN H=9.80 WITH LED
DESIGN: Alex_Z	2019.02.15	P/N: SEE TABLE
CHECK:		SHEET: 1/2
APPROVAL:		SCALE: 1:1 UNIT: mm

DRAW NO. ***
 REV. X8

PACKING DRAWING



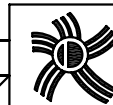
USER DIRECTION OF UNREELING →



NOTE:
 1.MATERIAL:
 REEL: PS
 CARRIER: PS
 COVER TAPE: PET
 PE BAG: PS
 2.QUANTITY:
 240 PCS/REEL
 6 REELS/CARTON=1440PCS

240	6	1440
PCS/REEL	REEL/CARTON	PCS/CARTON

DIM	TOL	DIM	TOL
x	/	x	/
.x	/		
.xx	/		



DEREN
 SHENZHEN DEREN ELECTRONIC CO., LTD

DRAW NO. ***	DESIGN:	Alex_Z	DATE	2019.02.15	TITLE:	RJ45 DIP CONN H=9.80 WITH LED
	CHECK:				P/N:	SEE TABLE
REV.	X8	APPROVAL:			SHEET:	2/2
					SCALE:	N/A
					UNIT:	mm