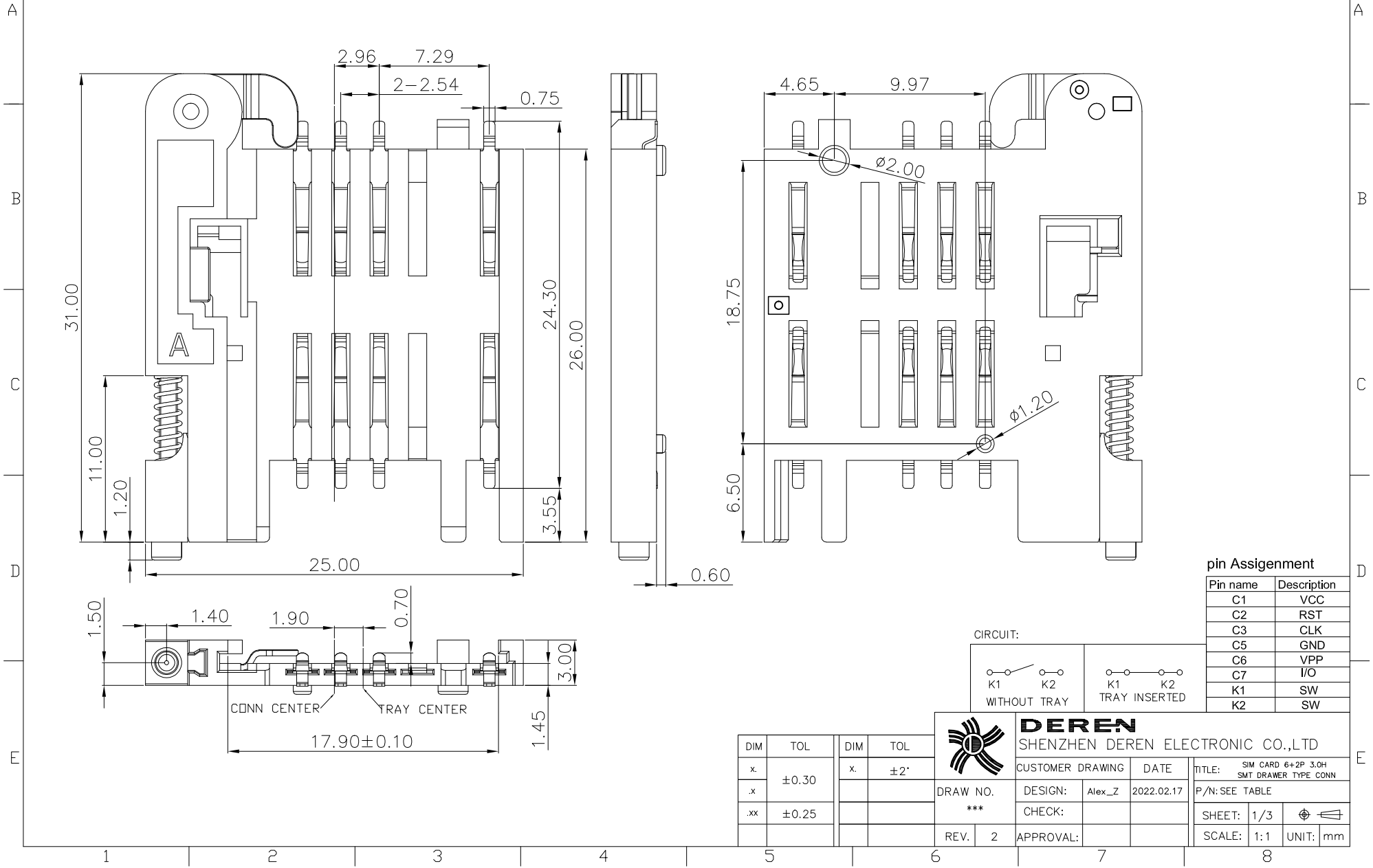


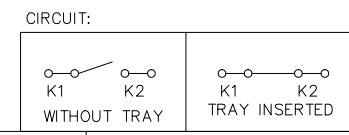
HF
Halogen Free

REV.	ECN NO.	LOCATION	DESCRIPTION	DATE	DESIGN
1			INITIAL RELEASE	2018.04.09	Alex_Z
2			UPDATE SIZE	2022.02.17	Alex_Z



pin Assignment

Pin name	Description
C1	VCC
C2	RST
C3	CLK
C5	GND
C6	VPP
C7	I/O
K1	SW
K2	SW

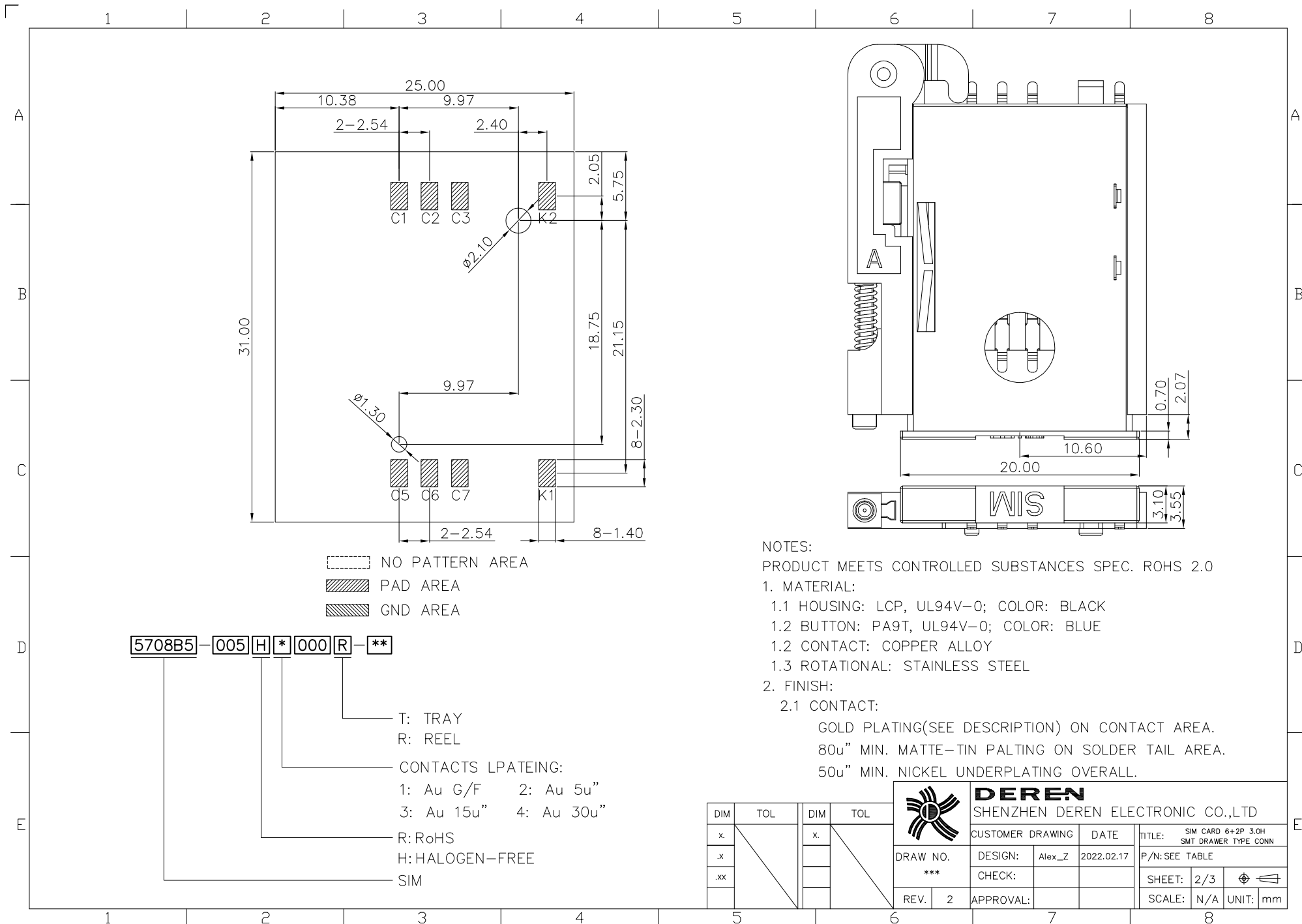


DIM	TOL	DIM	TOL
.x	±0.30	.x	±2'
.x			
.xx	±0.25		

DEREN
SHENZHEN DEREN ELECTRONIC CO.,LTD

CUSTOMER DRAWING	DATE	TITLE: SIM CARD 6+2P 3.0H SMT DRAWER TYPE CONN
DESIGN: Alex_Z	2022.02.17	P/N: SEE TABLE
CHECK:		SHEET: 1/3
REV. 2	APPROVAL:	SCALE: 1:1 UNIT: mm

DRAW NO. ***



[---] NO PATTERN AREA
 [Hatched] PAD AREA
 [Cross-hatched] GND AREA

5708B5-005H*000R**

T: TRAY
 R: REEL
 CONTACTS LPLATING:
 1: Au G/F 2: Au 5u"
 3: Au 15u" 4: Au 30u"
 R: RoHS
 H: HALOGEN-FREE
 SIM

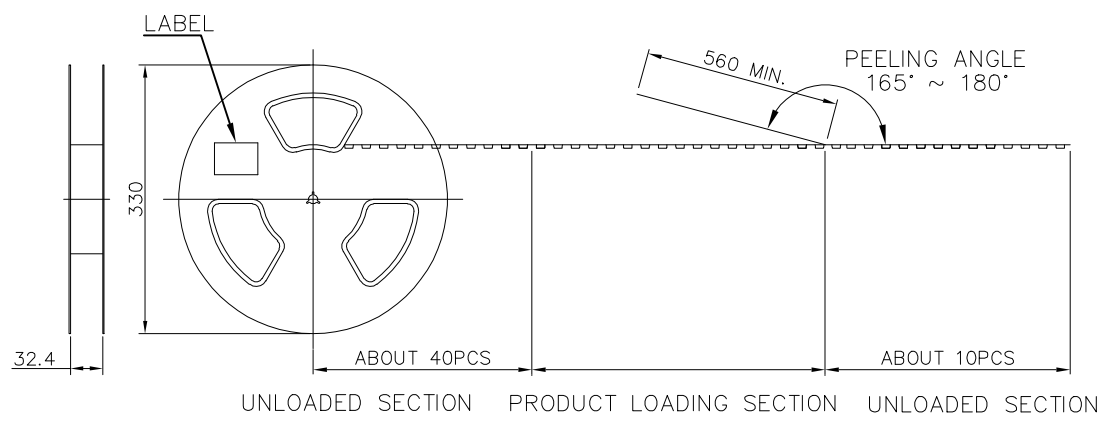
DIM	TOL	DIM	TOL
x.		x.	
.x			
.xx			

NOTES:
 PRODUCT MEETS CONTROLLED SUBSTANCES SPEC. ROHS 2.0
 1. MATERIAL:
 1.1 HOUSING: LCP, UL94V-0; COLOR: BLACK
 1.2 BUTTON: PA9T, UL94V-0; COLOR: BLUE
 1.2 CONTACT: COPPER ALLOY
 1.3 ROTATIONAL: STAINLESS STEEL
 2. FINISH:
 2.1 CONTACT:
 GOLD PLATING(SEE DESCRIPTION) ON CONTACT AREA.
 80u" MIN. MATTE-TIN PALTING ON SOLDER TAIL AREA.
 50u" MIN. NICKEL UNDERPLATING OVERALL.

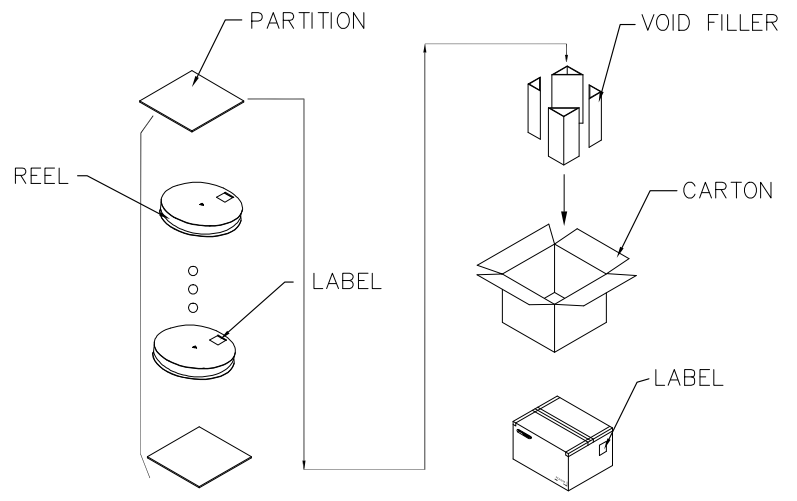
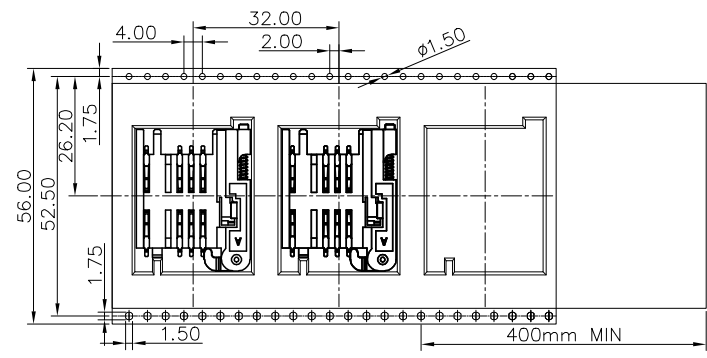
		DEREN SHENZHEN DEREN ELECTRONIC CO.,LTD	
		CUSTOMER DRAWING	DATE
DRAW NO. ***	DESIGN: Alex_Z	2022.02.17	TITLE: SIM CARD 6+2P 3.0H SMT DRAWER TYPE CONN
REV. 2	CHECK:	APPROVAL:	P/N: SEE TABLE
		SCALE: N/A	SHEET: 2/3
		UNIT: mm	

1 2 3 4 5 6 7 8


A
B
C
D
E



- NOTES :
- MATERIAL :
COVER TAPE : PS,
CARRIER TAPE : PS
REEL : PS
SHIPPING BOX: CORRUGATED FIBER
PARTITION BOARD: CORRUGATED FIBER
 - DIMENSION :
REEL : SEE DRAWING
BOX : SEE DRAWING
 - QUANTITY : SEE TABLE
 - PEELING RESISTANCE: 10gf~150gf(for 72mm)
 - PEELING SPEED : 300mm/MINUTES



DIM	TOL	DIM	TOL
x.		x.	
.x		.x	
.xx			
500	5	2500	
PCS/REEL	REEL/BOX	TOTAL Q'TY	

	DEREN SHENZHEN DEREN ELECTRONIC CO.,LTD	
	CUSTOMER DRAWING	DATE
	DESIGN: Alex_Z	2022.02.17
	DATE	TITLE: SIM CARD 6+2P 3.0H SMT DRAWER TYPE CONN
DRAW NO. ***	CHECK:	P/N: SEE TABLE
REV. 2	APPROVAL:	SHEET: 3/3
		SCALE: N/A UNIT: mm

1 2 3 4 5 6 7 8