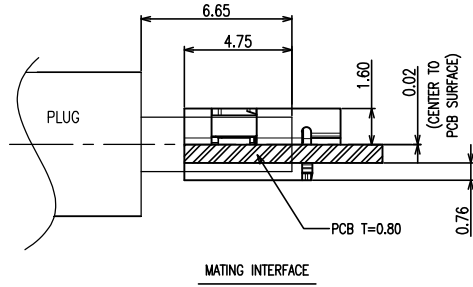
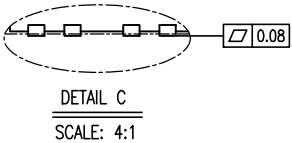
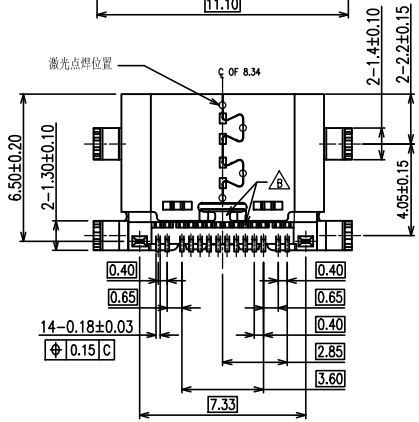
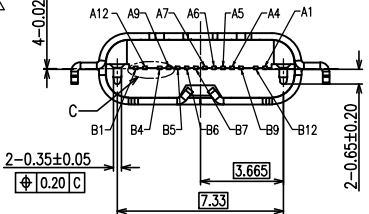
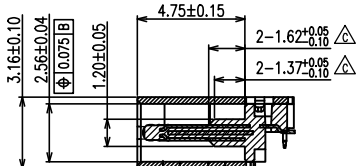
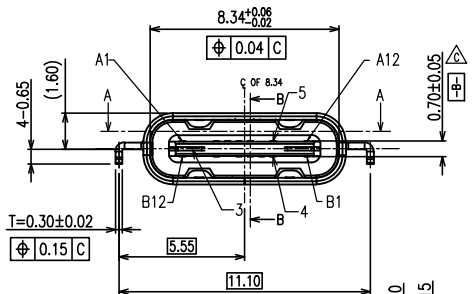
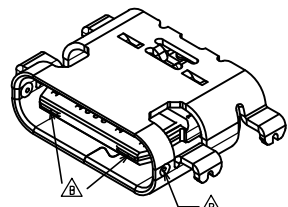
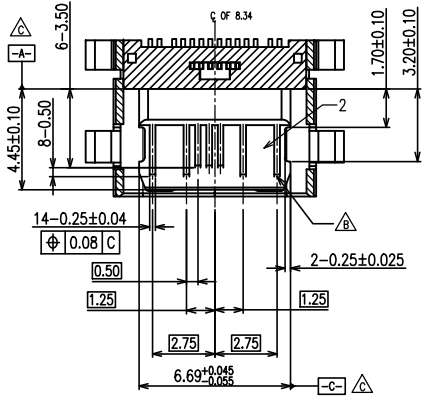
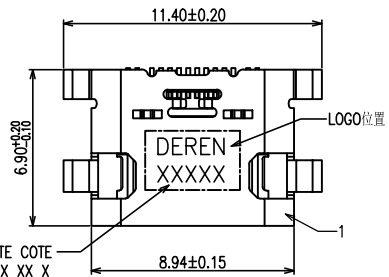




DATE COTE
XX XX X
15:2015年
44:第44周
1: 周末
2: 周一
.....
7: 周六



REV.	ECN NO.	LOCATION	DESCRIPTION	DATE	DESIGN
A			新版发行	09/02'16	Wubin
B	EC-C170115	△	改善端子翘PIN依客人要求变更插拔力标准	01/22'17	Wubin
C	EC-C170227	△	按协会规范更新图纸	05/11'17	Wubin

- NOTES :
- ELECTRICAL :
 - CONTACT CURRENT RATING :
 - 5.0A FOR VBUS (Pins A4,A9,B4,B9)
 - △ 1.25A FOR Vconn (Pins B5,)
 - △ 6.25A FOR GND (Pins A1,A12,B1,B12)
 - 0.25A FOR ALL THE OTHERS CONTACTS.
 - INSULATION RESISTANCE :100 MEGAOHMS MIN.
 - DIELECTRIC WITHSTANDING VOLTAGE :100VAC MIN.
 - LOW LEVEL CONTACT RESISTANCE :
 - INITIAL 40mΩ MAX. AFTER 50mΩ MAX.
 - MECHANICAL CHARACTERISTICS :
 - INSERTION FORCE : 8N~25N .
 - EXTRACTION FORCE :
 - △ 8N~25N FROM 1 TO 1000 CYCLES
 - △ 6~25N FROM 1001 TO 10000 CYCLE.
 - DURABILITY : 10,000 MATING CYCLES.
 - OPERATING TEMPERATURE : -55°C TO +85°C
 - PART NUMBER INFORMATION:

40-42479-014 4 4 0 0 R HF

HF: HALOGEN FREE
 PACKAGE CODE: REEL PACKING
 RESERVED CODE: 0
 LOGO CODE:
 0: W/ DEREN LOGO
 1: W/O LOGO
 CONTACT PLATING CODE:
 1: 30u" / 4: Au:15u"
 FORM CODE
 PIN NUMBER CODE: 14 PINS

ITEM	PART NAME	Q'TY	MATERIAL	REMARK
⑤	TOP CONTACT	1 SET	COPPER ALLOY	50u" MIN. Ni UNDER PLATING OVERALL. 15u" Min ,GOLD PLATING ON CONTACT AREA.
④	BOTTOM CONTACT	1 SET	COPPER ALLOY	2u" Min ,GOLD PLATING ON SOLDER TAILS.
③	Mid-PLATE	1 PCS	STAINLESS	50u" MIN. SOLDERABLE Ni PLATING OVERALL.
②	HOUSING	1 PCS	THERMOPLASTIC	BLACK; UL94V-0
①	SHELL	1 PCS	STAINLESS	50u" MIN. SOLDERABLE Ni PLATING OVERALL.

DIM	TOL	DIM	TOL
.X	±0.35	.X	±3'
.X	±0.30	.X	±2'
.XX	±0.20		
.XXX	±0.15		



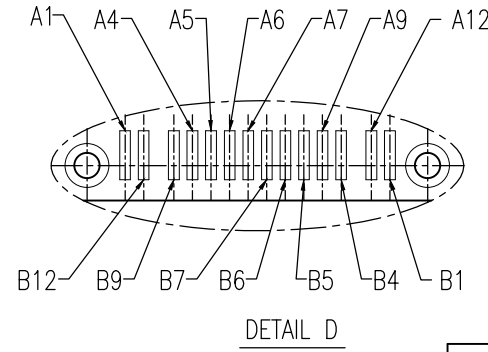
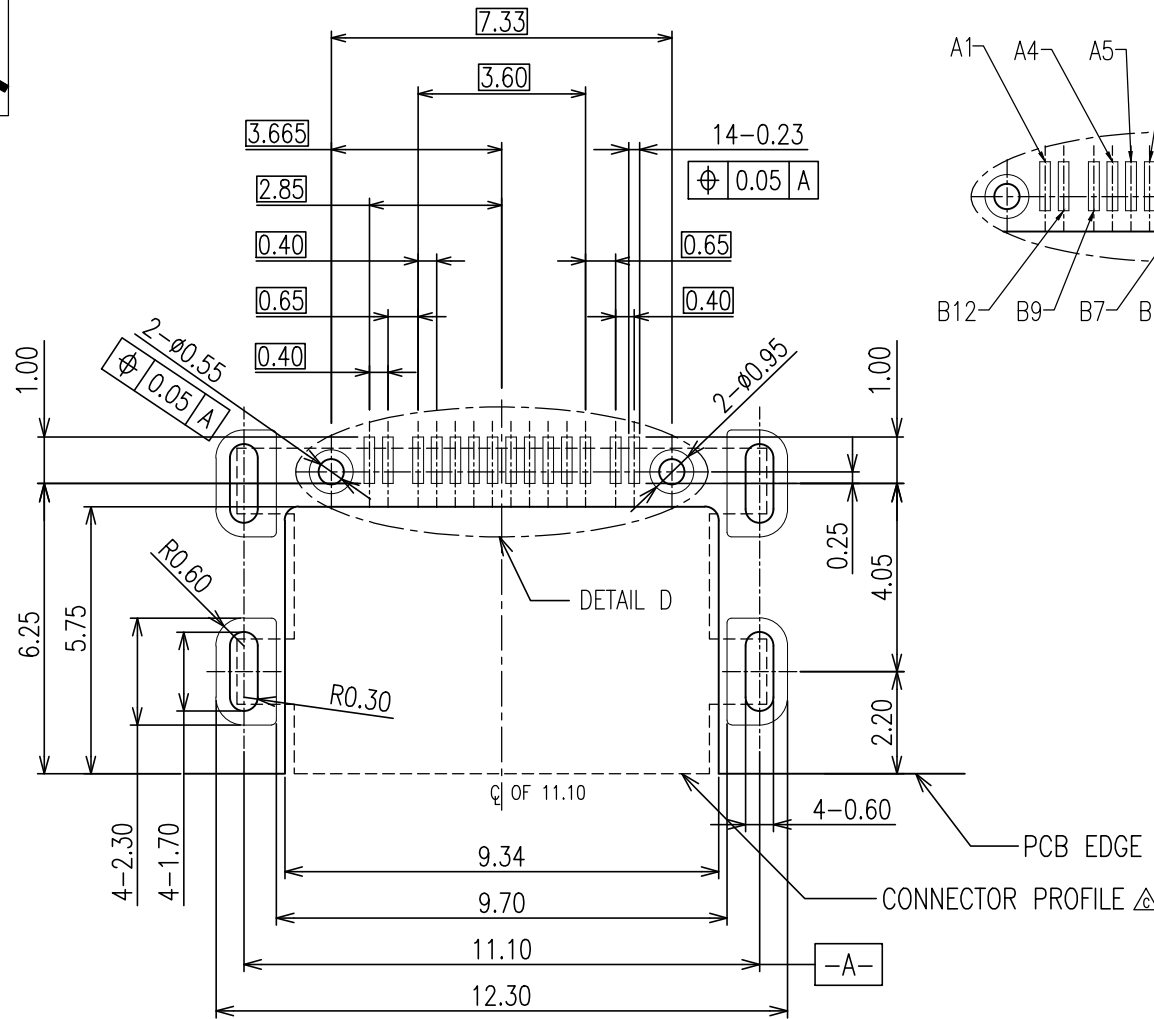
CUSTOMER DRAWING		DATE	TITLE:
DESIGN:	Wubin	05/11'17	USB TYPE C REC 2.0 14PIN SINK CH=0.02mm CONN
CHECK:			P/N:40-42479-0144400RHF
APPROVAL:			SHEET: 1/3
REV.	C		SCALE: 1:1
			UNIT: mm

HF

Halogen Free



REV.	ECN NO.	LOCATION	DESCRIPTION	DATE	DESIGN
A	—	—	新版发行	09/02'16	Wubin
B	EC-C170115	△B	改善端子翘PIN&依客人要求变更插拔力标准	01/22'17	Wubin
C	EC-C170227	△C	PCB LAYOUT增加产品的覆盖区域	05/11'17	Wubin



PIN	SIGNAL NAME	PIN	SIGNAL NAME
A1	GND	B12	GND
A2	—	B11	—
A3	—	B10	—
A4	VBUS	B9	VBUS
A5	CC1	B8	—
A6	Dp1	B7	Dn2
A7	Dn1	B6	Dp2
A8	—	B5	CC2
A9	VBUS	B4	VBUS
A10	—	B3	—
A11	—	B2	—
A12	GND	B1	GND

RECOMMENDED PCB LAYOUT
GENERAL TOLERANCE ±0.05

DIM	TOL	DIM	TOL
X.	±0.35	X.	±3'
.X	±0.30	.X	±2'
.XX	±0.20		
.XXX	±0.15		



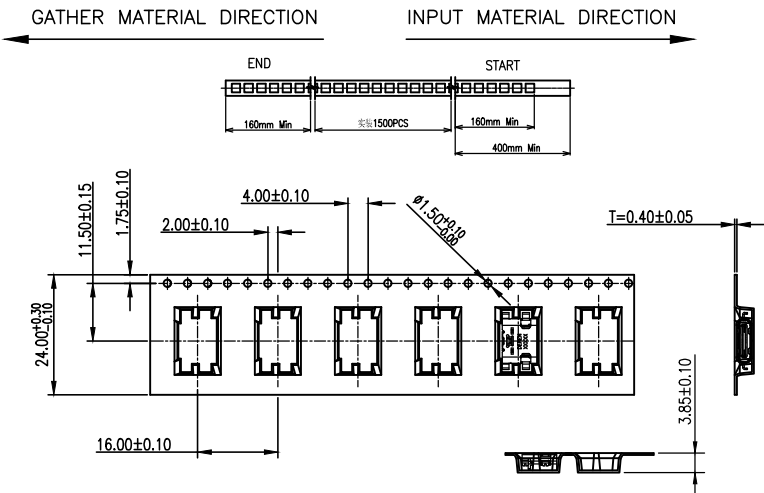
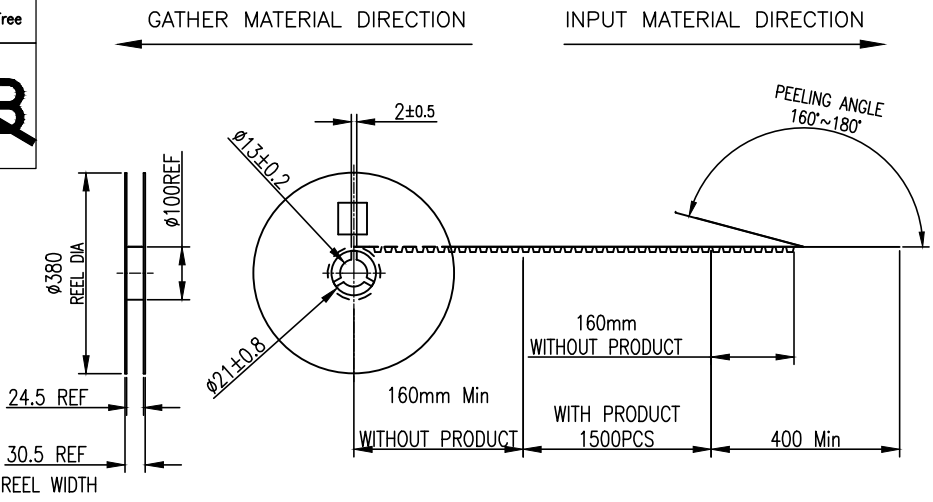
DEREN

SHENZHEN DEREN ELECTRONIC CO., LTD

CUSTOMER DRAWING		DATE		TITLE: USB TYPE C REC 2.0 14PIN SINK CH=0.02mm CONV	
DESIGN:	Wubin	05/11/17		P/N:40-42479-0144400RHF	
CHECK:				SHEET:	2/3
REV.	C	APPROVAL:		SCALE:	1:1
				UNIT:	mm

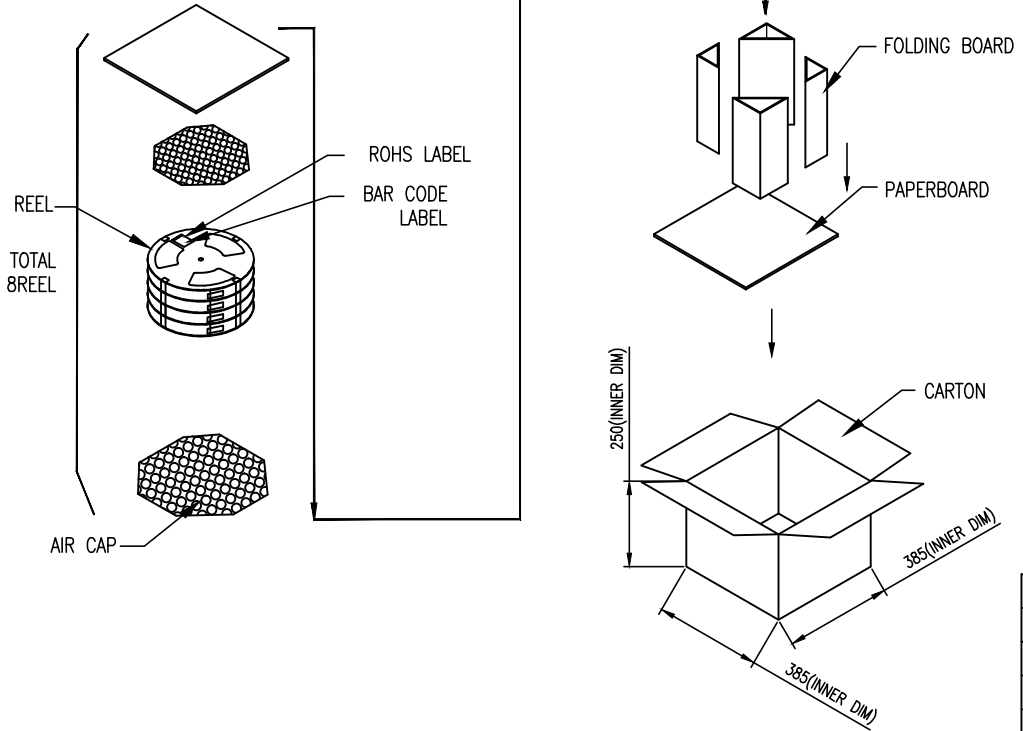


REV.	ECN NO.	LOCATION	DESCRIPTION	DATE	DESIGN
A			新版发行	09/02'16	Wubin
B	EC-C170115	△	改善端子PIN&依客人要求变更插拔力标准	01/22'17	Wubin
C	EC-C170227	△	按协会规范更新图纸	05/11'17	Wubin



- NOTES : (FOR REEL)
- PACKAGING MATERIAL IN PLASTIC, RUBBER, INK, PIGMENT AND PAINT MUST MEET CONTROLLED SUBSTANCES SPEC PER 230-702.
 - * CADMIUM AND CADMIUM COMPOUNDS NOT TO EXCEED: 5 PPM.
 - * LEAD, CADMIUM, CHROM VI AND MERCURY NOT TO EXCEED: 100 PPM (COMBINED).
 - * CARRIER TAPES, COVER TAPES, REELS AND TAPED COMPONENTS MUST MEET THE REQUIREMENTS DEFINED PER EIA-481-B.
- MATERIAL :
COVER TAPE : ANTISTATIC P.S T=0.05±0.01 ,COLOR: :CLEAR
CARRIER TAPE : ANTISTATIC P.S T=0.40mm ±0.05 ,
REEL : PS UL94V-0
SHIPPING BOX: CORRUGATED FIBER
 - DIMENSION :
REEL : SEE DRAWING
BOX : SEE DRAWING
 - QUANTITY : SEE TABLE
 - WEIGHT : SEE TABLE
 - PEELING RESISTANCE : 10gf~130gf
 - PEELING SPEED : 300mm/MINUTES

1500	8	12000	40-42479-0144400RHF
PCS/ REEL	REEL/ BOX	PCS/ BOX	PART NUMBER



DIM	TOL	DIM	TOL
.X	±0.35	.X	±2'
.X	±0.30	.X	±1'
.XX	±0.20		
.XXX	±0.15		



DEREN
SHENZHEN DEREN ELECTRONIC CO., LTD

DRAW NO.	DESIGN:	DATE:	TITLE:
SC1600677	Wubin	05/11'17	USB TYPE C REC 2.0 14PIN SINK CH-0.02mm CONN
REV. C	CHECK:		P/N: 40-42479-0144400RHF
	APPROVAL:		SHEET: 3/3
			SCALE: 1:1 UNIT: mm