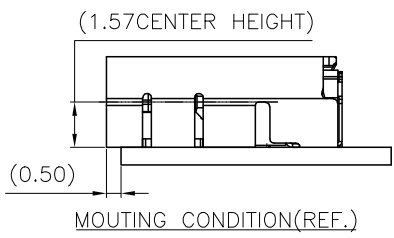
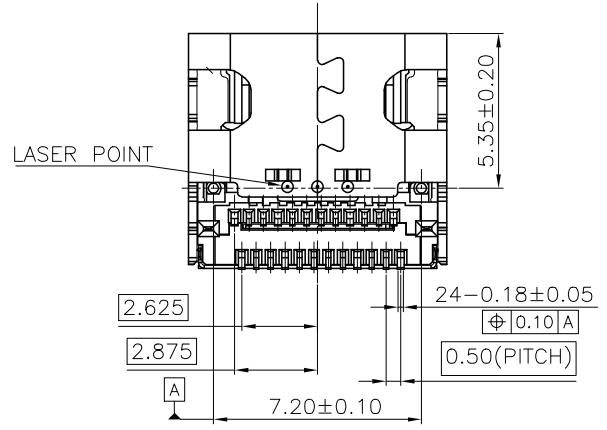
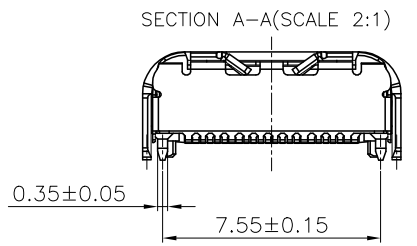
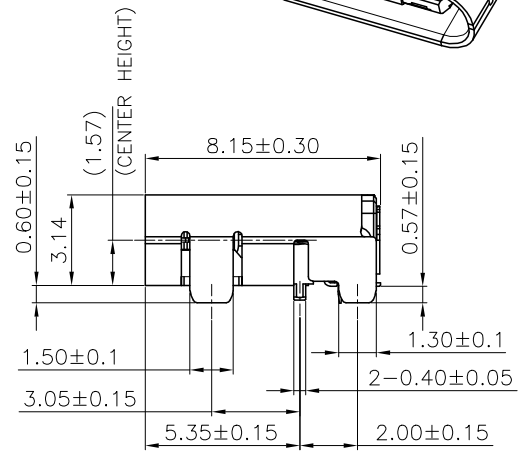
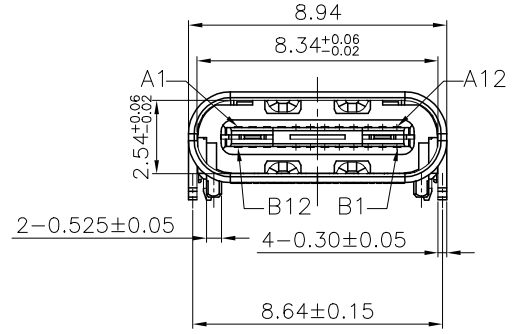
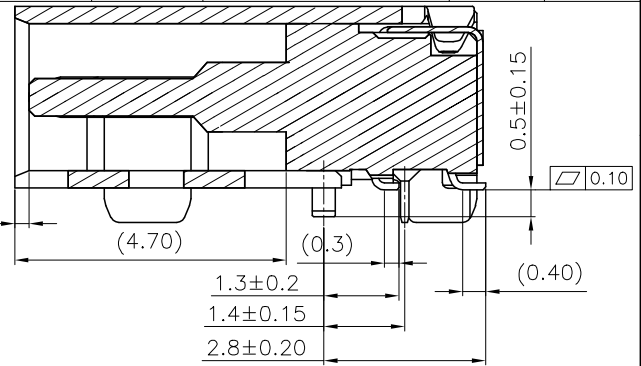
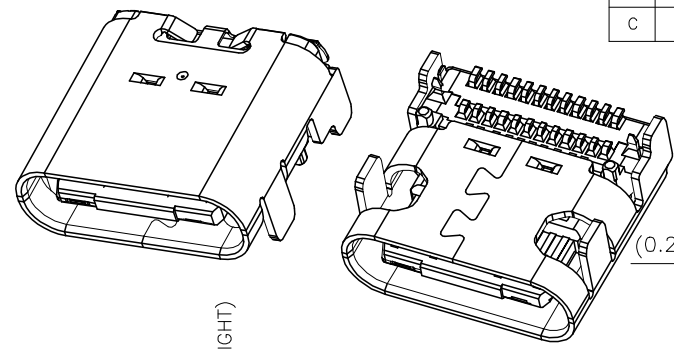
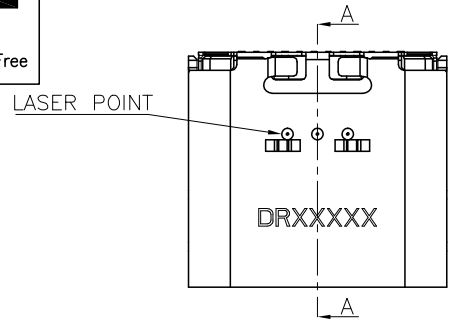


# HF

Halogen Free

REV.	ECN NO.	LOCATION	DESCRIPTION	DATE	DESIGN
A			INITIAL RELEASE	01/07'19	Alex
B			DWG UPDATED	12/24'20	Charles
C			DWG UPDATED	05/09'21	Charles



⑥	TOP CONTACT	1 SET	COPPER ALLOY	50u" MIN. NI UNDER PLATING. 80u" MIN. MATTE TIN PLATING ON SOLDER AREA.
⑤	BOTTOM CONTACT	1 SET	COPPER ALLOY	GOLD PLATING ON CONTACT AREA.(SEE PART NUMBER)
④	SHIELDING PLATE	1 PCS	STAINLESS	50u" MIN. SOLDERABLE NI PLATING OVERALL.
③	HOUSING	1 PCS	LCP	COLOR BLACK;UL94V-0
②	REAL SHIELD	1 PCS	STAINLESS	50u" MIN. SOLDERABLE NI PLATING OVERALL.
①	MAIN SHELL	1 PCS	STAINLESS	50u" MIN. NI PLATING OVERALL.COLOR(SEE PART NO.)
ITEM	PART NAME	QTY	MATERIAL	REMARK

DIM	TOL	DIM	TOL
x.	±0,30	x.	±2'
.x	±0,20	.x	±1'
.xx	±0,10		
.xxx			



**DEREN**  
SHENZHEN DEREN ELECTRONIC CO., LTD

CUSTOMER DRAWING		DATE		TITLE: UC REC 24P R/A CH=1.57mm DUAL SMT HIGH CURRENT CONN.	
DRAW NO.	DESIGN:	Charles	05/09'21	P/N:	40-42379-A4XXRHf-XX
SC1905225	CHECK:	Charles	05/09'21	SHEET:	1/3
REV. C	APPROVAL:	Smark	05/09'21	SCALE:	1:1
				UNIT:	mm

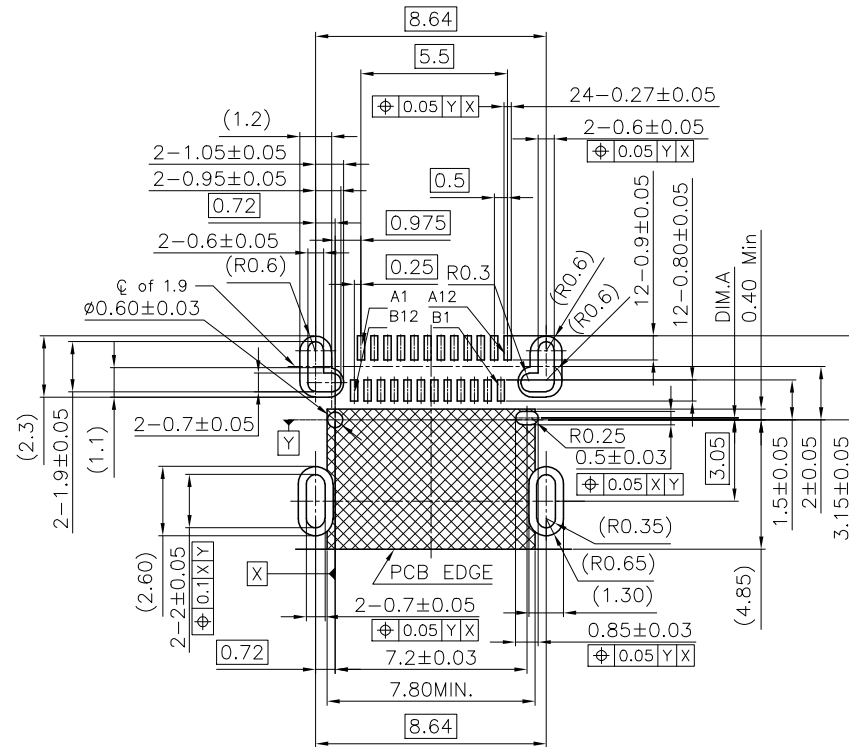


REV.	ECN NO.	LOCATION	DESCRIPTION	DATE	DESIGN
SEE SHEET 1					

NOTES :

- MATERIAL/FINISH: SEE TABLE
- ELECTRICAL :
  - CONTACT CURRENT RATING :
    - CURRENT RATING 5A MAX: 5A FOR VBUS (Pins A4,A9,B4,B9), 1.25A FOR VCONN. 6.25A FOR GND (Pins A1,A12,B1,B12) THE LENGTH,WIDTH,AND THICKNESS OF PCB TRACE MUST MEET THE TYPE C ASSOCIATION SPEC.
    - CURRENT RATING 5A~8A : 8A FOR VBUS (Pins A4,A9,B4,B9), 0.20A FOR VCONN. 8.2A FOR GND (Pins A1,A12,B1,B12) 0.20A SHALL ALSO BE APPLIED TO ALL THE OTHER CONTACTS THE WIDTH AND THE THICKNESS OF VBUS TRACE AND GND TRACE ARE TWICE AS DEFINED BY TYPE C ASSOCIATION SPEC.
  - INSULATION RESISTANCE : 100 MEGAOHMS MIN. AT 100VDC.
  - DIELECTRIC WITHSTANDING VOLTAGE : 100VAC MIN.
  - LOW LEVEL CONTACT RESISTANCE : INITIAL 40mΩ MAX. AFTER 50mΩ MAX.
- MECHANICAL CHARACTERISTICS :
  - INSERTION FORCE : 5N~20N .
  - EXTRACTION FORCE : 8N~20N FROM 1 TO 30 CYCLES. 6N~20N FROM 31 TO 10000 CYCLES.
  - DURABILITY : 10,000 MATING CYCLES.
  - OPERATING TEMPERATURE : -55°C TO +85°C
- REFLOW SOLDER CAPABLE TO 260°C 10 SECS.
- PART NUMBER INFORMATION: 40-42379-A4XXXRHF-XX

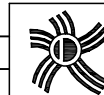
- xx: CUSTOMER CODE(0 OR 1 OR 2 LETTER)
- HF: HALOGEN FREE
- PACKAGE CODE: R: TAPE&REEL PACKING
- SHELL PLATING CODE: 0:BRIGHT NI 1:BLACK NI
- LOGO OPTION: 0: WITH DEREN LOGO 1: W/O DEREN LOGO
- PLATING CODE: 1: Au 30u"; 2: Au 15u"; 3: GOLD FLASH;
- TOP SHELL : 0: W/O TOP SHELL 2: WITH TOP SHELL 3: SHELL FEET LONG & W/O TOP SHELL 4:HIGH CURRENT TYPE W/O TOP SHELL
- PIN NUMBER CODE: A: 24 PINS



DIM.A	PCB.1	PCB.2
	0.000	0.065

RECOMMENDED PCB LAYOUT  
 1.TOP VIEW, PCB TOLERANCE: ±0.05  
 2. No PCB routing allowed in this area.

DIM	TOL	DIM	TOL
.x	±0.30	.x	±2'
.x	±0.20	.x	±1'
.xx	±0.10		
.xxx			

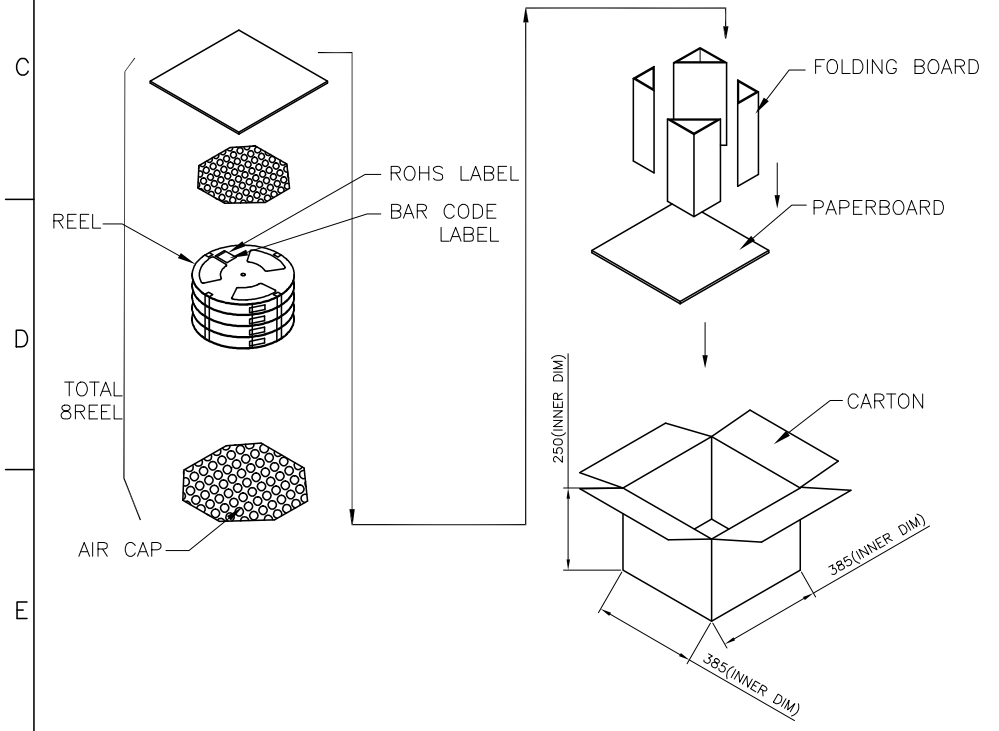
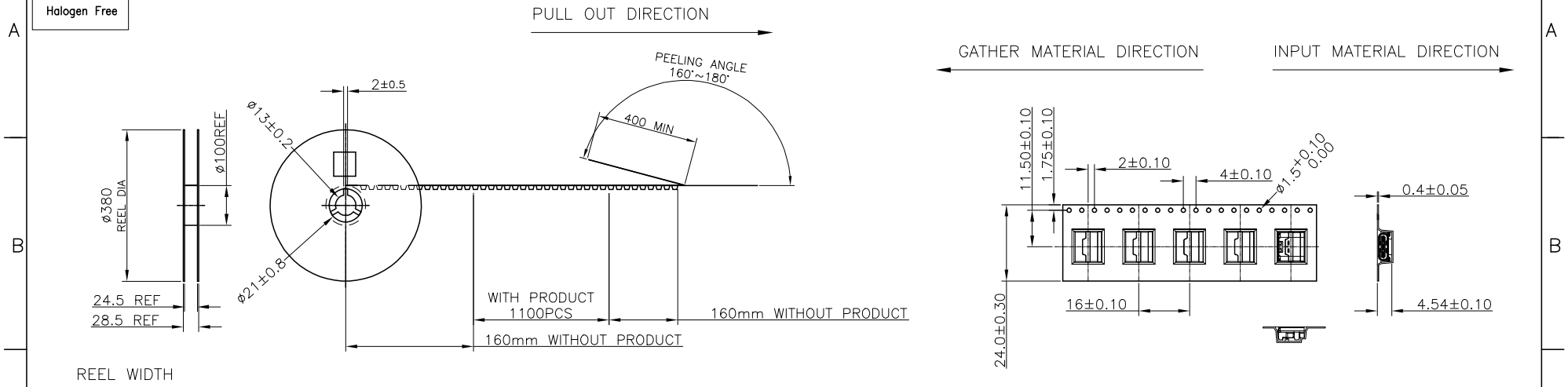


**DEREN**  
 SHENZHEN DEREN ELECTRONIC CO., LTD

CUSTOMER DRAWING	DATE	TITLE
DESIGN: Charles	05/09'21	UC REC 24P R/A CH=1.57mm DUAL SMT HIGH CURRENT CONN.
CHECK: Charles	05/09'21	P/N: 40-42379-A4XXXRHF-XX
REV. C	APPROVAL: Smark	05/09'21
		SHEET: 2/3
		SCALE: 1:1 UNIT: mm

**HF**  
Halogen Free

REV.	ECN NO.	LOCATION	DESCRIPTION	DATE	DESIGN
SEE SHEET 1					



NOTES :(FOR REEL)  
 PRODUCT MUST MEET CONTROLLED SUBSTANCES SPEC. ROHS 2.0  
 PACKAGING MATERIAL IN PLASTIC, RUBBER, INK, PIGMENT AND PAINT  
 MUST MEET CONTROLLED SUBSTANCES SPEC PER 230-702.  
 \* CADMIUM AND CADMIUM COMPOUNDS NOT TO EXCEED: 5 PPM.  
 \* LEAD, CADMIUM, CHROM VI AND MERCURY NOT TO EXCEED: 100 PPM (COMBINED).  
 \* CARRIER TAPES, COVER TAPES, REELS AND TAPED COMPONENTS MUST MEET THE  
 REQUIREMENTS DEFINED PER EIA-481-B.

1. MATERIAL :  
 COVER TAPE : ANTISTATIC P.S T=0.05±0.01 ,COLOR: CLEAR  
 CARRIER TAPE : ANTISTATIC P.S T=0.40mm ±0.05  
 REEL : PS UL94V-0  
 SHIPPING BOX: CORRUGATED FIBER

2. DIMENSION :  
 REEL : SEE DRAWING  
 BOX : SEE DRAWING

3. QUANTITY : SEE TABLE

4. WEIGHT : SEE TABLE

5. PEELING RESISTANCE : 10gf~130gf (for 12~56mm)

6. PEELING SPEED : 300mm/MINUTES

1100	8	8800	40-42379-A4XXXRHF-XX
PCS/ REEL	REEL/ BOX	PCS/ BOX	PART NUMBER

DIM	TOL	DIM	TOL	<b>DEREN</b> SHENZHEN DEREN ELECTRONIC CO., LTD			
.x	±0.30	.x	±2'			CUSTOMER DRAWING	DATE
.x	±0.20	.x	±1'	DRAW NO.	DESIGN:	Charles 05/09'21	TITLE: UC REC 24P R/A CH=1.57mm DUAL SMT HIGH CURRENT CONN.
.xx	±0.10			SC1905225	CHECK:	Charles 05/09'21	P/N: 40-42379-A4XXXRHF-XX
				REV. C	APPROVAL:	Smark 05/09'21	SHEET: 3/3
							SCALE: 1:1 UNIT: mm