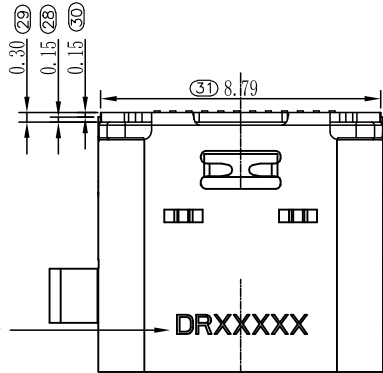


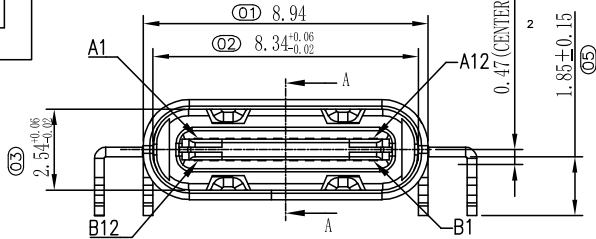
HF

Halogen Free

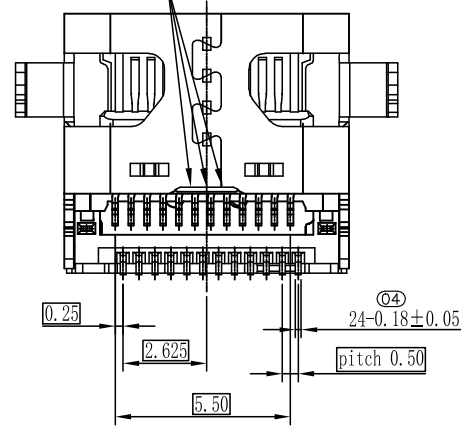


DATE COTE
XX XX X

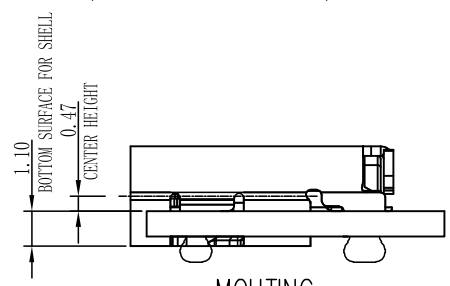
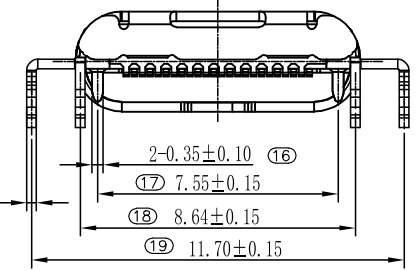
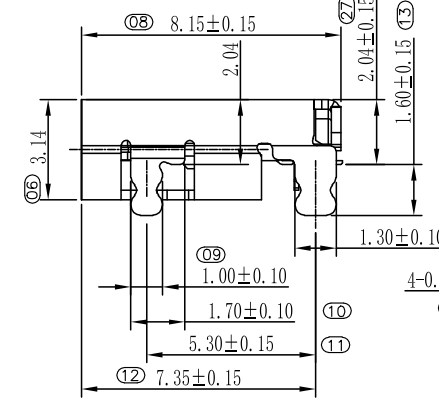
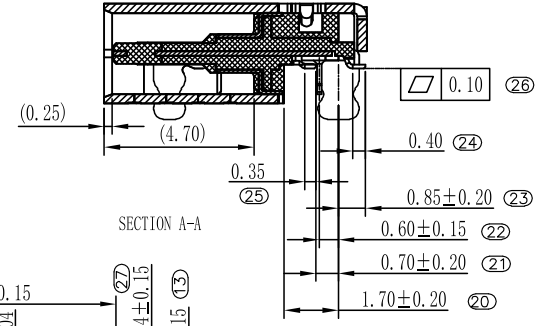
15:2015年
44:第44周
1:周末
2:周一
.....
7:周六



WELDING POINT



REV.	ECN NO.	LOCATION	DESCRIPTION	DATE	DESIGN
A			INITIAL RELEASE	2021/08/17	Winner



NO.	PART NAME	MATERIAL	FINISH	Q'TY
9	final molding	LCP UL94 V-0	black	1
8	under contact molding	LCP UL94 V-0	black	1
7	upper contact molding	LCP UL94 V-0	black	1
6	shell	stainless steel	BLACK Ni 20u" Min.	1
5	mid-plate	stainless steel	Ni 50u" Min.	1
4	under ground	stainless steel	natural	1
3	upper ground	stainless steel	natural	1
2	under contact	copper alloy	Au 30u" / Ni 12u" / Cu 5u" Min. on contact surface	1
1	upper contact	copper alloy	80u"~120u" molten tin on solder tail 50u"~80u" Ni underplating overall	1



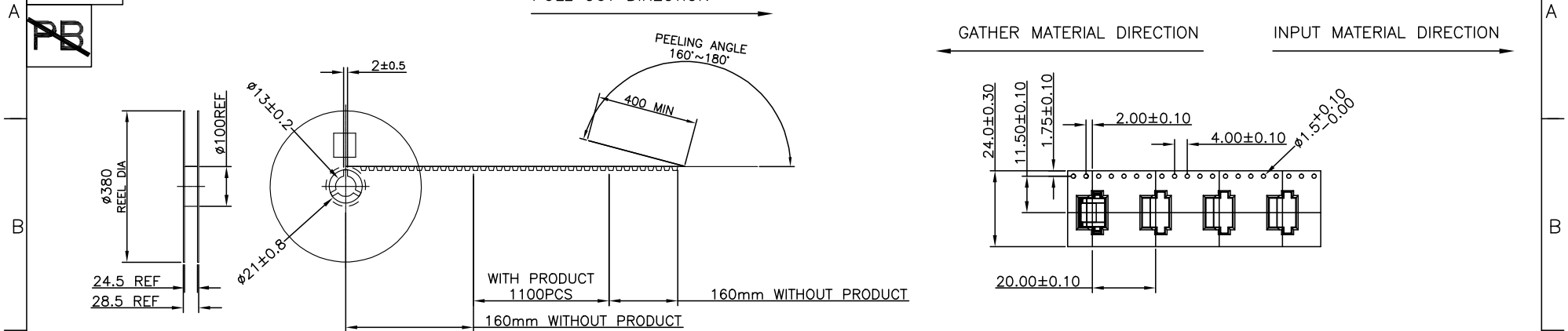
DEREN
SHENZHEN DEREN ELECTRONIC CO., LTD

DIM	TOL	DIM	TOL
x.	±0,30	x.	±2'
.x	±0,20	.x	±1'
.xx	±0,10		
.xxx			

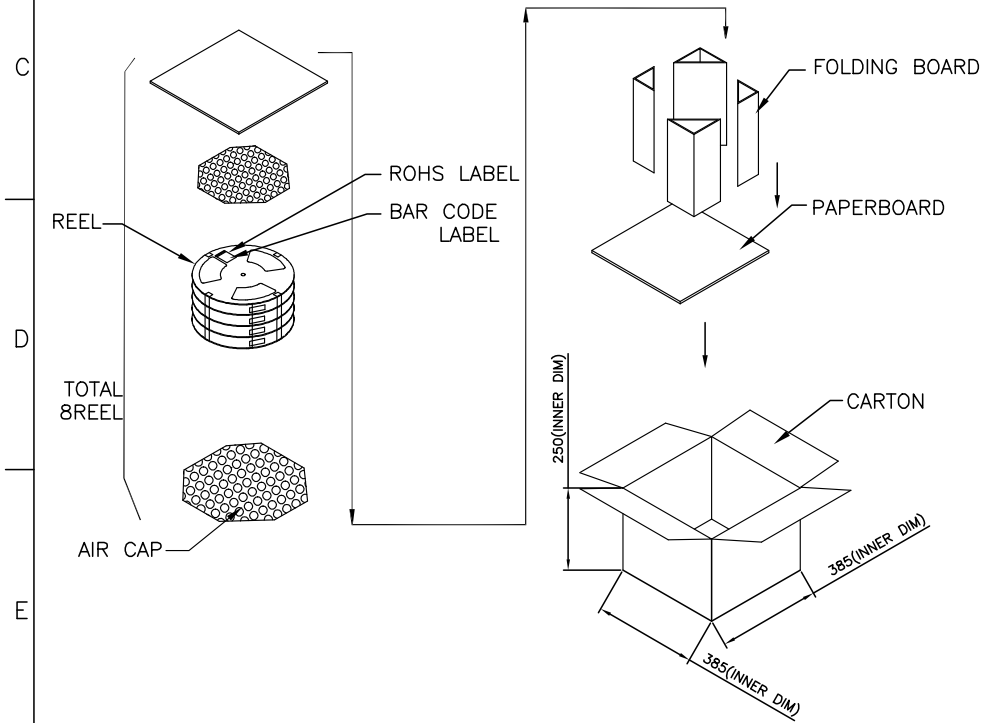
DRAW NO. SC1905747	DESIGN: Winner CHECK: Charlie APPROVAL: Smark	DATE 2021/08/17 2021/08/17 2021/08/17	TITLE: USB Type C REC. Ni-Plated CP=0.17mm Dual SHF Type CONNECTOR P/N: 40-42356-A5101RHF
REV. A			SHEET: 1/3 SCALE: 1:1 UNIT: mm

HF
Halogen Free

REV.	ECN NO.	LOCATION	DESCRIPTION	DATE	DESIGN
A			INITIAL RELEASE	2021/08/17	Winner



REEL WIDTH



NOTES: (FOR REEL)
 PACKAGING MUST MEET CONTROLLED SUBSTANCES SPEC. ROHS 2.0
 PACKAGING MATERIAL IN PLASTIC, RUBBER, INK, PIGMENT AND PAINT
 MUST MEET CONTROLLED SUBSTANCES SPEC PER 230-702.
 * CADMIUM AND CADMIUM COMPOUNDS NOT TO EXCEED: 5 PPM.
 * LEAD, CADMIUM, CHROM VI AND MERCURY NOT TO EXCEED: 100 PPM (COMBINED).
 * CARRIER TAPES, COVER TAPES, REELS AND TAPED COMPONENTS MUST MEET THE
 REQUIREMENTS DEFINED PER EIA-481-B.

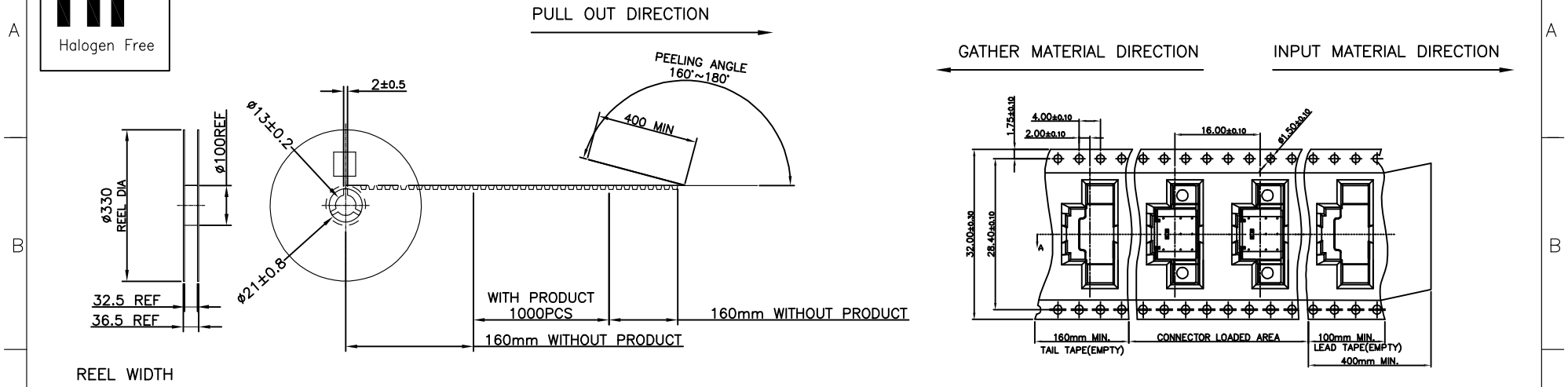
- MATERIAL:
 COVER TAPE: ANTISTATIC PS T=0.05±0.01mm, COLOR: CLEAR
 CARRIER TAPE: ANTISTATIC PS T=0.40±0.05mm, COLOR: BLACK
 REEL: PS UL94V-0
 SHIPPING BOX: CORRUGATED FIBER
- DIMENSION:
 REEL: SEE DRAWING
 BOX: SEE DRAWING
- QUANTITY: SEE TABLE
- WEIGHT: SEE TABLE
- PEELING RESISTANCE: 10gf~130gf (for 12~56mm)
- PEELING SPEED: 300mm/MINUTES

PCS/ REEL	REEL/ BOX	PCS/ BOX	PART NUMBER
880	8	7040	40-42356-A5101RHF

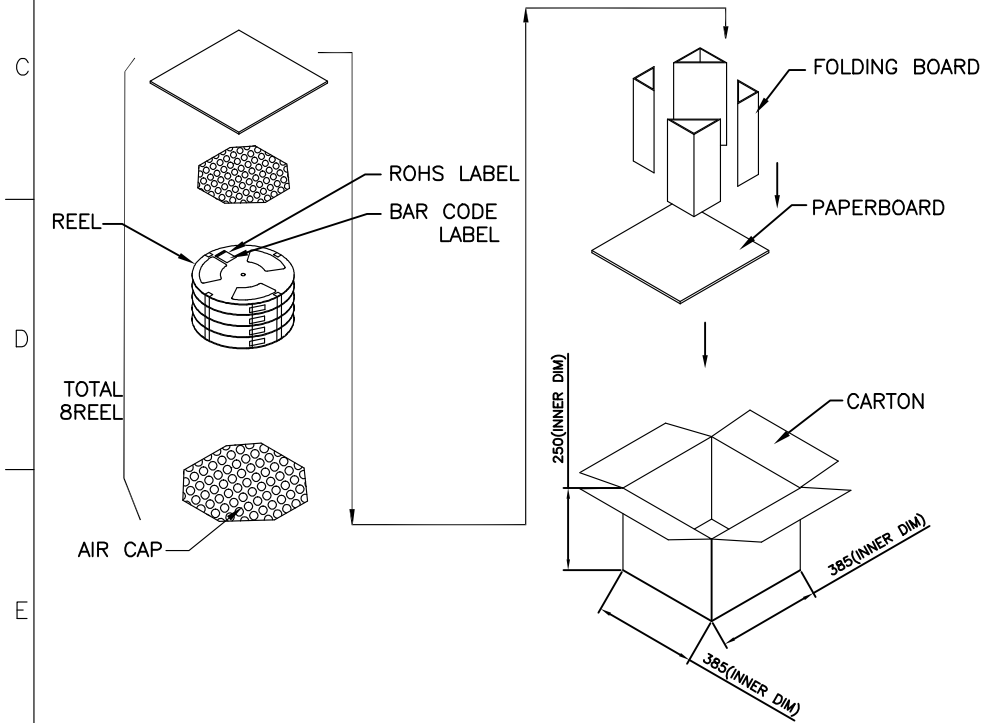
<table border="1"> <thead> <tr> <th>DIM</th> <th>TOL</th> <th>DIM</th> <th>TOL</th> </tr> </thead> <tbody> <tr> <td>x.</td> <td>±0.30</td> <td>x.</td> <td>±2'</td> </tr> <tr> <td>.x</td> <td>±0.20</td> <td>.x</td> <td>±1'</td> </tr> <tr> <td>.xx</td> <td>±0.10</td> <td></td> <td></td> </tr> </tbody> </table>	DIM	TOL	DIM	TOL	x.	±0.30	x.	±2'	.x	±0.20	.x	±1'	.xx	±0.10			<p>DEREN SHENZHEN DEREN ELECTRONIC CO., LTD</p>	CUSTOMER DRAWING		DATE	TITLE: USB Type C REC. Mid-Mount CH=0.47mm Dual SMT Type CONNECTOR P/N: 40-42356-A5101RHF
	DIM	TOL	DIM	TOL																	
x.	±0.30	x.	±2'																		
.x	±0.20	.x	±1'																		
.xx	±0.10																				
DRAW NO.	DESIGN:	Winner	2021/08/17	SHEET: 3/3																	
SC1905747	CHECK:	Charlie	2021/08/17	SCALE: 1:1	UNIT: mm																
REV. A	APPROVAL:	Smark	2021/08/17																		



REV	ECN	LOCATION	DESCRIPTION	DATE	DESIGN
SEE SHEET 1					



REEL WIDTH



NOTES: (FOR REEL)
 PRODUCT MUST MEET CONTROLLED SUBSTANCES SPEC. ROHS 2.0
 PACKAGING MATERIAL IN PLASTIC, RUBBER, INK, PIGMENT AND PAINT
 MUST MEET CONTROLLED SUBSTANCES SPEC PER 230-702.
 * CADMIUM AND CADMIUM COMPOUNDS NOT TO EXCEED: 5 PPM.
 * LEAD, CADMIUM, CHROM VI AND MERCURY NOT TO EXCEED: 100 PPM (COMBINED).
 * CARRIER TAPES, COVER TAPES, REELS AND TAPED COMPONENTS MUST MEET THE
 REQUIREMENTS DEFINED PER EIA-481-B.

- MATERIAL:
 COVER TAPE: ANTISTATIC PS T=0.05±0.01mm, COLOR: CLEAR
 CARRIER TAPE: ANTISTATIC PS T=0.40±0.05mm, COLOR: CLEAR
 REEL: PS UL94V-0
 SHIPPING BOX: CORRUGATED FIBER
- DIMENSION:
 REEL: SEE DRAWING
 BOX: SEE DRAWING
- QUANTITY: SEE TABLE
- WEIGHT: SEE TABLE
- PEELING RESISTANCE: 10gf~130gf (for 12~56mm)
- PEELING SPEED: 300mm/MINUTES

1000	6	6000	40-42356-A3XXXRHF
PCS/ REEL	REEL/ BOX	PCS/ BOX	PART NUMBER

DEREN
 SHENZHEN DEREN ELECTRONIC CO., LTD

<table border="1" style="width: 100%;"> <tr> <th>DIM</th> <th>TOL</th> <th>DIM</th> <th>TOL</th> </tr> <tr> <td>.X</td> <td></td> <td>X.</td> <td>±2'</td> </tr> <tr> <td>.XX</td> <td>±0.50</td> <td>.X</td> <td>±1'</td> </tr> <tr> <td>.XXX</td> <td></td> <td></td> <td></td> </tr> </table>	DIM	TOL	DIM	TOL	.X		X.	±2'	.XX	±0.50	.X	±1'	.XXX				 DRAW NO. SC1702xxx	CUSTOMER DRAWING DESIGN: Winner CHECK:	DATE 04/08' 21	TITLE: USB Type C REC Dual SMT TOP Mount CH=0.47mm With Ear P/N:40-42356-A3XXXRHF
	DIM	TOL	DIM	TOL																
	.X		X.	±2'																
.XX	±0.50	.X	±1'																	
.XXX																				
REV. A	APPROVAL:	SCALE: 1:1	UNIT: mm	SHEET: 3/3																