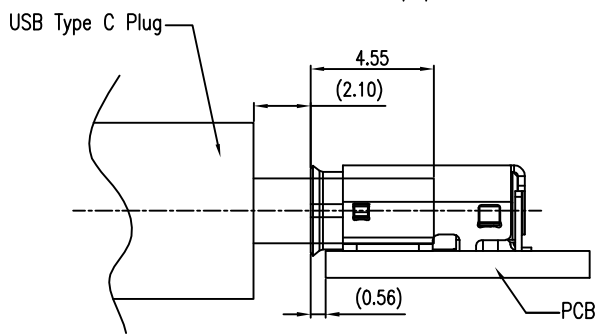
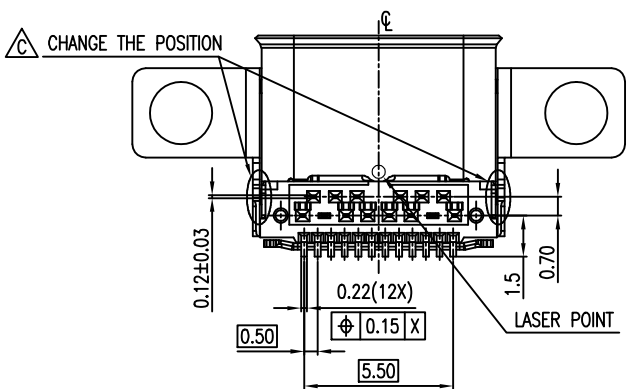
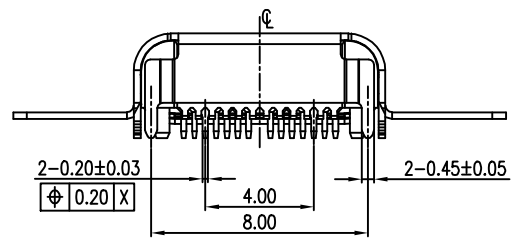
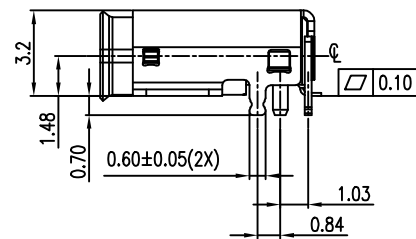
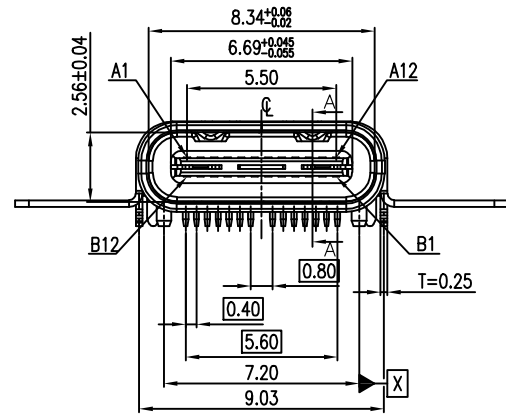
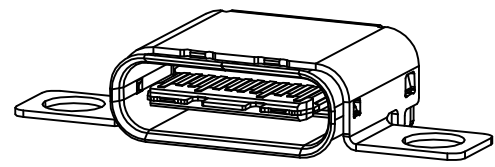
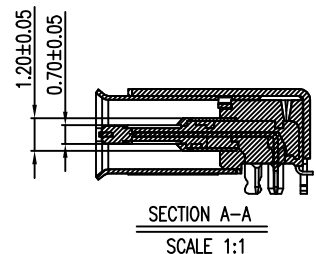
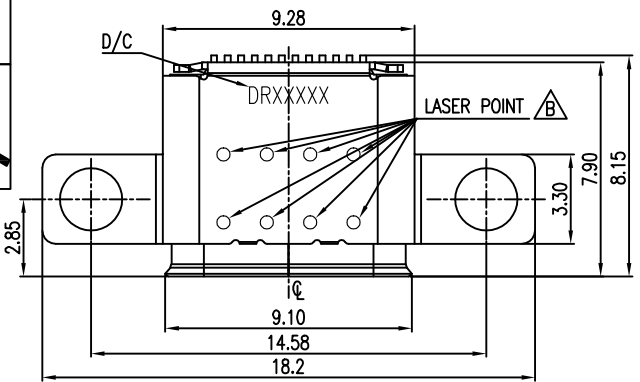


HF
Halogen Free



REV.	ECN NO.	LOCATION	DESCRIPTION	DATE	DESIGN
C		△	UPDATE THE DRAWING	10/13'16	Cecil
D		△	UPDATE THE PLATING SPECIFICATION	11/30'16	Cecil
E		△	CANCEL THE SHELL SIDE CONVEX POINT	02/07'17	Cecil



NO.	PART NAME	MATERIAL	FINISH	Q'TY
7	GROUND-B	STAINLESS STEEL	NICKEL PLATING 50u Min	1
6	GROUND-A	STAINLESS STEEL	NICKEL PLATING 50u Min	1
5	MID-PLATE	STAINLESS STEEL	NICKEL PLATING 50u Min	1
4	OUTER SHELL	STAINLESS STEEL	NICKEL PLATING 50u Min	1
3	INNER SHELL	STAINLESS STEEL	NICKEL PLATING 50u Min	1
2	CONTACT	COPPER ALLOY	SEE NOTE	24
1	HOUSING	HIGHTEMP-PLASTIC	PANTONE 1595C,UL94V-0	3

MATING CONDITON REF.

DIM	TOL	DIM	TOL
X.	±0.30	x.	±2'
.X	±0.25	.x	±1'
.XX	±0.15		
.XXX	±0.05		

DEREN
SHENZHEN DEREN ELECTRONIC CO., LTD

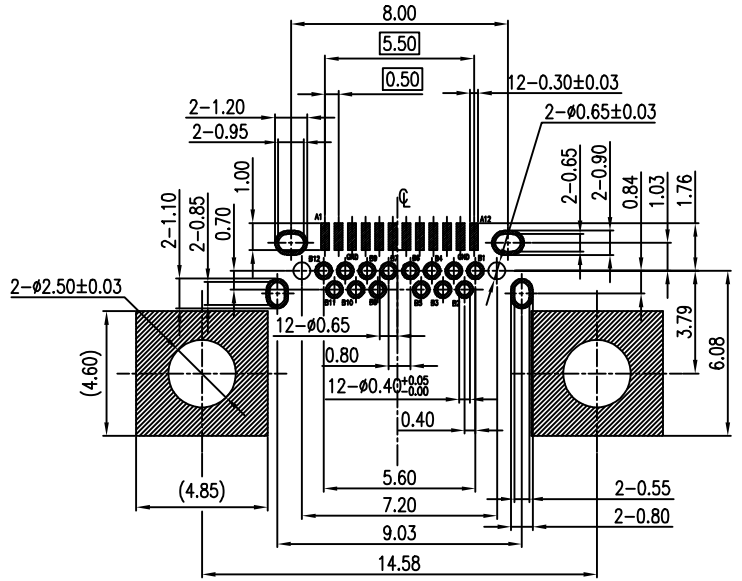
CUSTOMER DRAWING **DATE** **TITLE:** USB TYPE C REC TOP-MOUNT HYBRID CONNECTOR CH=1.48 CONNECTOR

DESIGN: Cecil 02/07'17 P/N:40-42509-02402RHF

CHECK: Charlie 02/07'17 SHEET: 1/3

APPROVAL: Richard 02/07'17 SCALE: 1:1 UNIT: mm

DRAW NO. T-16-0344



RECOMENED P.C.B LAYOUT
 THICKNESS=1.0mm
 TOLERANCE: ±0.05

PIN DEFINE:

Pin	Signal Name	Description	Mating Sequence	Pin	Signal Name	Description	Mating Sequence
A1	GND	Ground return	First	B12	GND	Ground return	First
A2	SSTXP1	Positive half of first Super Speed TX differential pair	Second	B11	SSRXP1	Positive half of first Super Speed RX differential pair	Second
A3	SSTXn1	Negative half of first Super Speed TX differential pair	Second	B10	SSRXN1	Negative half of first Super Speed RX differential pair	Second
A4	VBUS	Bus Power	First	B9	VBUS	Bus Power	First
A5	CC1	Configuration Channel	Second	B8	SBU2	Sideband Use(SBU)	Second
A6	Dp1	Positive half of the USB 2.0 differential pair-Position 1	Second	B7	Dn2	Negative half of the USB 2.0 differential pair-Position 2	Second
A7	Dn1	Negative half of the USB 2.0 differential pair-Position 1	Second	B6	Dp2	Positive half of the USB 2.0 differential pair-Position 2	Second
A8	SBU1	Sideband Use(SBU)	Second	B5	CC2	Configuration Channel	Second
A9	VBUS	Bus Power	First	B4	VBUS	Bus Power	First
A10	SSRXn2	Negative half of second Super Speed RX differential pair	Second	B3	SSTXn2	Negative half of second Super Speed TX differential pair	Second
A11	SSRXP2	Positive half of second Super Speed RX differential pair	Second	B2	SSTXp2	Positive half of second Super Speed TX differential pair	Second
A12	GND	Ground return	First	B1	GND	Ground return	First

REV.	ECN NO.	LOCATION	DESCRIPTION	DATE	DESIGN
C		△	UPDATE THE DRAWING	10/13'16	Cecil
D		△	UPDATE THE PLATING SPECIFICATION	11/30'16	Cecil
E		△	CANCEL THE SHELL SIDE CONVEX POINT	02/07'17	Cecil

- ELECTRICAL :
 - CONTACT CURRENT RATING :
 - 5.0A FOR VBUS AND GND. (i.e., Pins A4,A9,B4,B9)
 - 1.25A FOR Vconn AND GND. (i.e., Pins B5,A1,A12,B1,B12)
 - 0.25A FOR ALL THE OTHERS CONTACTS.
 - INSULATION RESISTANCE :
 - 100 MEGAOHMS MIN. AT 250VDC.
 - DIELECTRIC WITHSTANDING VOLTAGE :
 - 100VAC MIN.
 - LOW LEVEL CONTACT RESISTANCE :
 - INITIAL 40mΩ MAX.
 - AFTER 50mΩ MAX.
- MECHANICAL CHARACTERISTICS :
 - INSERTION FORCE :5N~20N .
 - EXTRACTION FORCE :8N~20N .
 - DURABILITY :10,000 MATING CYCLES.
 - OPERATING TEMPERATURE :-55°C TO +85°C
- REFLOW SOLDER CAPABLE TO 260°C 10 SECONDS.
- PART NUMBER DESCRIPTION:
40-42509-02402RHF

HF:HALOGEN FREE
 PACKAGE CODE:
 R:TAPE&REEL PACKING
 CONTACT PLATED CODE: △
 1: 30u"MIN GOLD ON CONTACT AREA;
 80u"MIN MATTE TIN ON SOLDER AREA
 2: 5u"MIN GOLD ON CONTACT AREA
 80u"MIN MATTE TIN ON SOLDER AREA
 3: GOLD FALSH ON CONTACT AREA
 80u"MIN MATTE TIN ON SOLDER AREA
 SHELL PLATED CODE:
 0: NICKEL PLATED
 1: BLACK NICKEL PLATED
 PIN NUMBER CODE:
 024: 24 PINS

DIM	TOL	DIM	TOL
X.	±0.30	x.	±2'
.X	±0.25	.x	±1'
.XX	±0.15		
.XXX	±0.05		

DEREN
 SHENZHEN DEREN ELECTRONIC CO., LTD

CUSTOMER DRAWING	DATE	TITLE: USB TYPE C REC TOP-MOUNT HYBRID CONNECTOR CH=1.48 CONNECTOR
DESIGN: Cecil	02/07'17	P/N:40-42509-02402RHF
CHECK: Charlie	02/07'17	SHEET: 2/3
APPROVAL: Richard	02/07'17	SCALE: 1:1 UNIT: mm

HF

Halogen Free



REV.	ECN NO.	LOCATION	DESCRIPTION	DATE	DESIGN
C			UPDATE THE DRAWING	10/13'16	Cecil
D			UPDATE THE PLATING SPECIFICATION	11/30'16	Cecil
E			CANCEL THE SHELL SIDE CONVEX POINT	02/07'17	Cecil

NOTES :

PACKAGING MATERIAL IN PLASTIC, RUBBER, INK, PIGMENT AND PAINT MEET CONTROLLED SUBSTANCES SPEC. ROHS 2.0

* CADMIUM AND CADMIUM COMPOUNDS NOT TO EXCEED: 5 PPM.

* LEAD, CADMIUM, CHROM VI AND MERCURY NOT TO EXCEED: 100 PPM (COMBINED).

* CARRIER TAPES, COVER TAPES, REELS AND TAPED COMPONENTS MEET THE REQUIREMENTS DEFINED PER EIA-481-B.

1. MATERIAL :
 COVER TAPE : PS, COLOR: CLEAR
 CARRIER TAPE : PET
 REEL : PS
 SHIPPING BOX: CORRUGATED FIBER

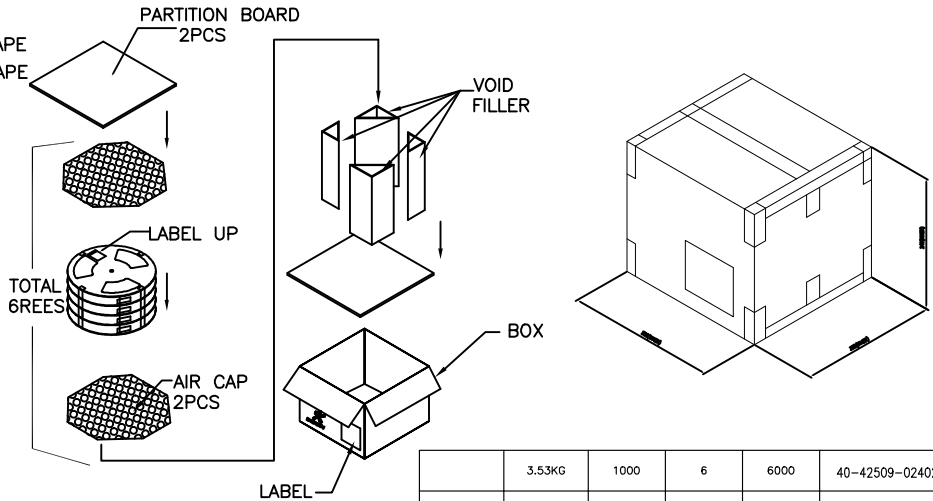
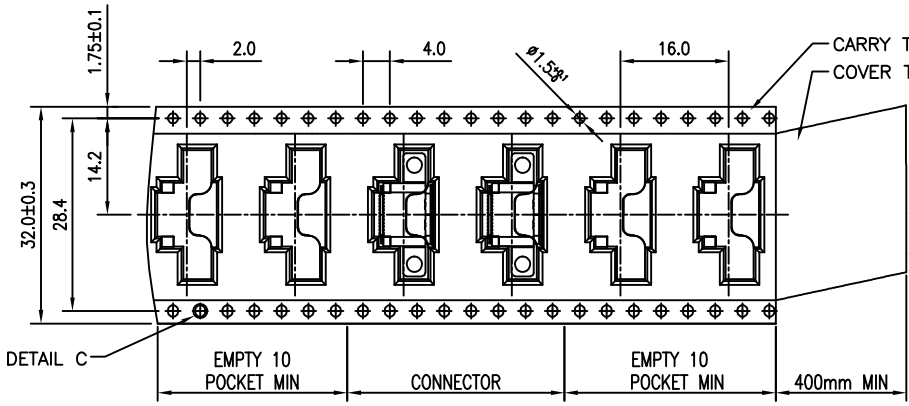
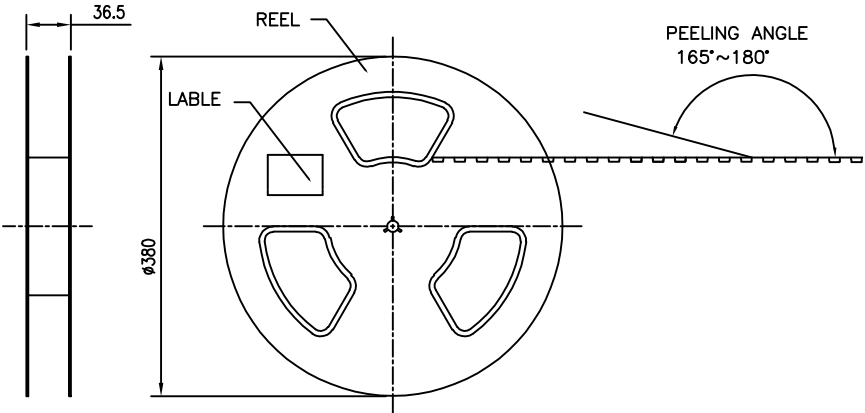
2. DIMENSION :
 REEL : SEE DRAWING
 BOX : SEE DRAWING

3. QUANTITY : SEE TABLE

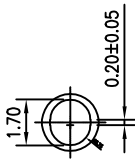
4. WEIGHT : SEE TABLE

5. PEELING RESISTANCE : 10gf~130gf

6. PEELING SPEED : 300mm/MINUTES



	3.53KG	1000	6	6000	40-42509-02402RHF
GROSS WEIGHT	NET WEIGHT	PCS/ REEL	REEL/ BOX	PCS/ BOX	PART NUMBER



DETAIL C
SCALE 4:1

DIM	TOL	DIM	TOL
x.	±0.30	x.	±2'
.x	±0.20	.x	±1'
.xx	±0.15		

DEREN
SHENZHEN DEREN ELECTRONIC CO., LTD

DRAW NO.	DESIGN:	Cecil	DATE	02/07'17	TITLE: USB TYPE C REC TOP-MOUNT HYBRID CONNECTOR CH=1.48 CONNECTOR
	T-16-0344	CHECK:	Charlie	02/07'17	P/N: 40-42509-02402RHF
REV. E	APPROVAL:	Richard	02/07'17	SHEET: 3/3	
				SCALE: 1:1	UNIT: mm