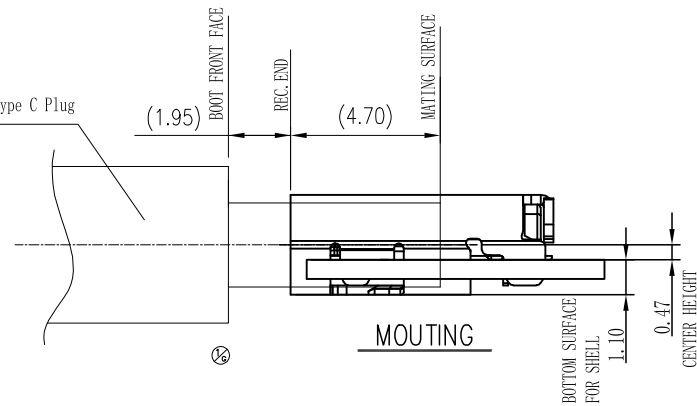
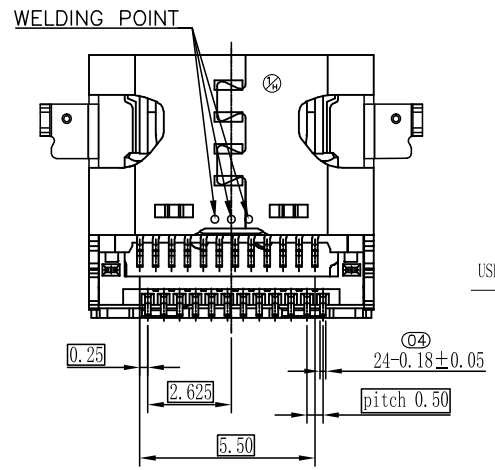
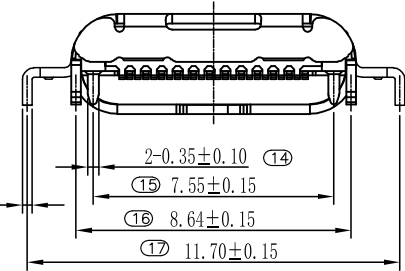
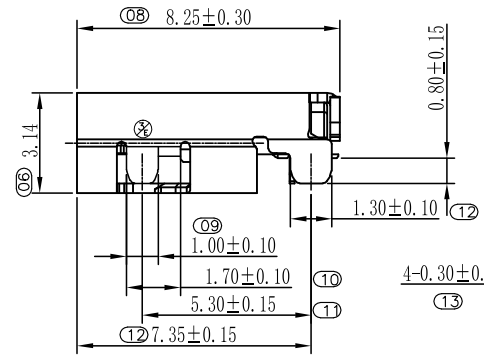
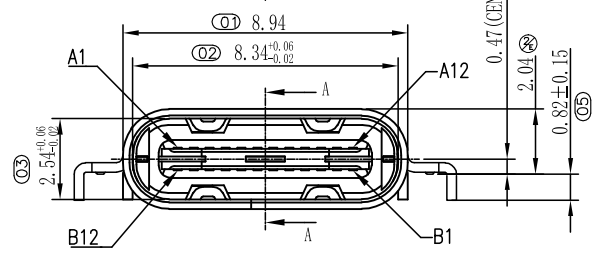


15:2015年
44:第44周
1: 周末
2: 周一
.....
7: 周六

DATE COTE
XX XX X

REV.	ECN NO.	LOCATION	DESCRIPTION	DATE	DESIGN
C		⑫-⑬	增加铝箔, 便于产品吸取	2018/08/03	陈海波
D			取消铝箔	2018/11/07	陈海波
E		⑫-⑬	变更外壳焊脚结构	2020/07/08	Winner
F			依客户要求50u"~90u" Ni变更为 80u" Ni MIN	2021/01/18	Winner
G		⑫	增加公母对插图	2021/04/07	Winner
H		⑫	变更结合缝压印与实物一致	2021/11/30	Winner



NO.	PART NAME	MATERIAL	FINISH	Q'TY
9	final molding	LCP UL94 V-0	black	1
8	under contact molding	LCP UL94 V-0	black	1
7	upper contact molding	LCP UL94 V-0	black	1
6	shell	stainless steel	Ni 50u" Min.	1
5	mid-plate	stainless steel	Ni 50u" Min.	1
4	under ground	stainless steel	natural	1
3	upper ground	stainless steel	natural	1
2	under contact	copper alloy	Au 30u" / Ni 15u" / Cu 10u" / Ni 5u" GOLD FLASH Min. on contact surface	1
1	upper contact	copper alloy	80u"~120u" molten tin on solder tail 80u" Ni MIN underplating overall	1

DIM	TOL	DIM	TOL
x.	±0,30	x.	±2'
.x	±0,20	.x	±1'
.xx	±0,10		
.xxx			



DEREN
SHENZHEN DEREN ELECTRONIC CO., LTD

CUSTOMER DRAWING	DATE	TITLE:
DESIGN: 陈海波	2018/11/07	USB Type C REC. Ni+Mount. CP=0.47mm Dual SHF Type CONNECTOR
CHECK: Charlie	2018/11/07	
APPROVAL: Smark	2018/11/07	
DRAW NO. SC1701638		P/N: 40-42356-A2100RHF
REV. G		SHEET: 1/3
		SCALE: 1:1
		UNIT: mm

HF

Halogen Free



REV.	ECN NO.	LOCATION	DESCRIPTION	DATE	DESIGN
D			取消铝箔	2018/11/07	陈海波
E		⑩-⑪	变更焊脚结构	2020/07/08	Winner
F			依客户要求50u"~90u" Ni变更为 80u" Ni MIN	2020/07/08	Winner
G		⑫	增加公母对插图	2021/04/07	Winner
H		⑬	变更结合缝压印与实物一致	2021/11/30	Winner

NOTES:

1. ELECTRICAL:

- 1-1. CONTACT CURRENT RATING:
6.70A FOR VBUS. (i.e., Pins A4, A9, B4, B9)
0.35A FOR Vconn(IE B5)
7.05A FOR GND. (i.e., pins A1, A12, B1, B12)
0.20A FOR ALL THE OTHERS CONTACTS.

- 1-2. GROUND TERMINALS(A1,A12,B1,B12) & MID-PLATE & SHELL ARE SHORT TOGETHER

- 1-3. INSULATION RESISTANCE:
100 MEGAOHMS MIN. AT 250V DC.
- 1-4. DIELECTRIC WITHSTANDING VOLTAGE:
100V AC MIN.
- 1-5. LOW LEVEL CONTACT RESISTANCE:
INITIAL 40mΩ MAX.
AFTER 50mΩ MAX.

2. MECHANICAL CHARACTERISTICS:

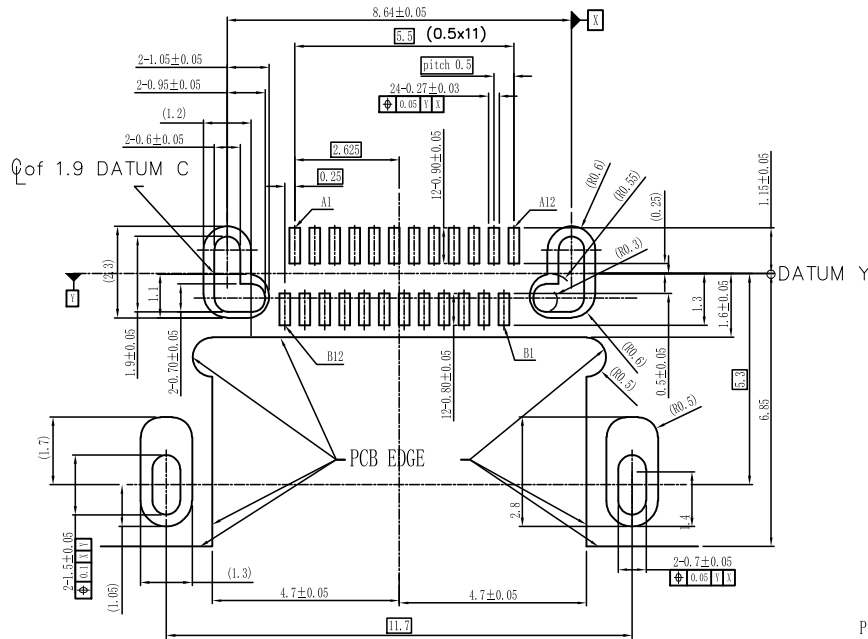
- 2-1. INSERTION FORCE:
5N~20N.
- 2-2. EXTRACTION FORCE:
8N~20N FROM 1 TO 1000 CYCLES.
6N~20N FROM 1001 TO 10000 CYCLES.
- 2-3. DURABILITY:
10,000 MATING CYCLES.
- 2-4. OPERATING TEMPERATURE:
-55°C TO +85°C

3. REFLOW SOLDER CAPABLE TO 260°C 10 SECS.

4. PART NUMBER INFORMATION:

40-42356-A2100RHF

- PIN NUMBER CODE: A: 24 PINS
- FORM CODE:
- PLATING CODE:
- HF: HALOGEN FREE
- PACKAGE CODE: R: TAPE&REEL PACKING
- RESERVED CODE: 0
- LOGO OPTION:
0: WITH DEREN LOGO
1: W/O DEREN LOGO



PIN NO.

A1	A2	A3	A4	A5	A6	A7	A8	A9	A10	A11	A12
GND	SSTxp1	SSTxn1	V BUS	CC1	Dp1	Dn1	SBU1	V BUS	SSRXn2	SSRXp2	GND
GND	SSRXp1	SSRXn1	V BUS	SBU2	Dn2	Dp2	CC2	V BUS	SSTXn2	SSTXp2	GND
B12	B11	B10	B9	B8	B7	B6	B5	B4	B3	B2	B1

DIM	TOL	DIM	TOL
.x	±0,30	.x	±2'
.x	±0,20	.x	±1'
.xx	±0,10		
.xxx			

DEREN
SHENZHEN DEREN ELECTRONIC CO., LTD

CUSTOMER DRAWING	DATE	TITLE: USB Type C REC. Mid-Mount CH=0.47mm Dual Smt. Type CONNECTOR
DESIGN: 陈海波	2018/11/07	P/N: 40-42356-A2100RHF
CHECK: Charlie	2018/11/07	SHEET: 2/3
APPROVAL: Smark	2018/11/07	SCALE: 1:1 UNIT: mm

A
B
C
D
E

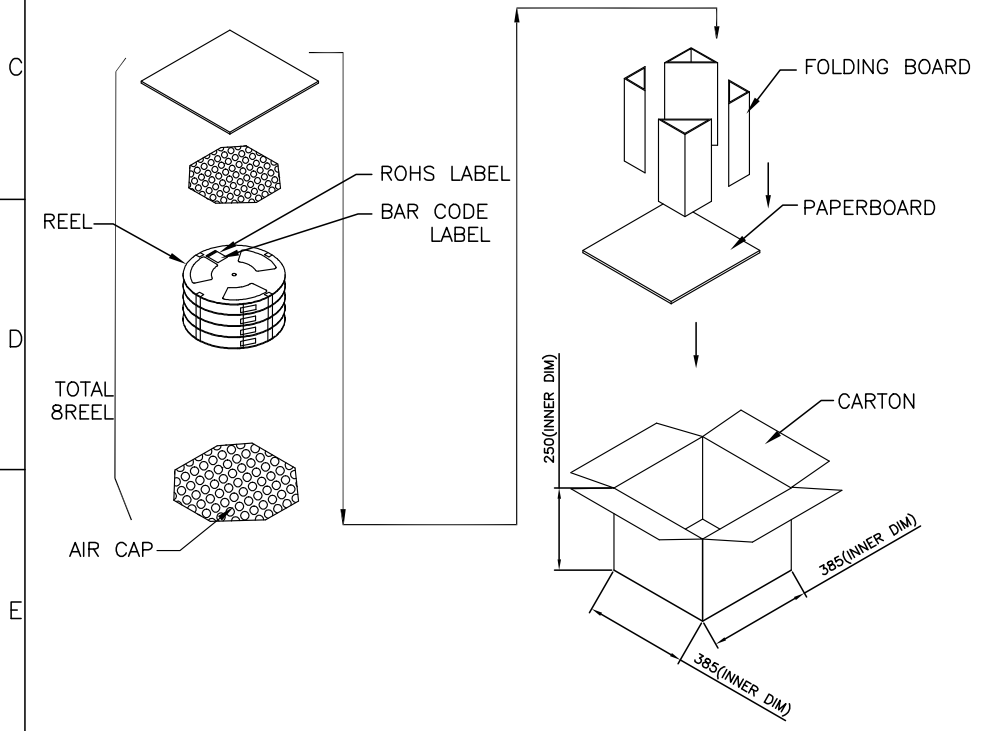
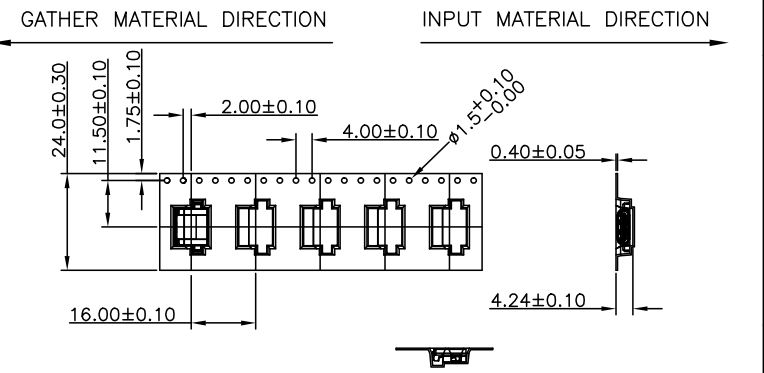
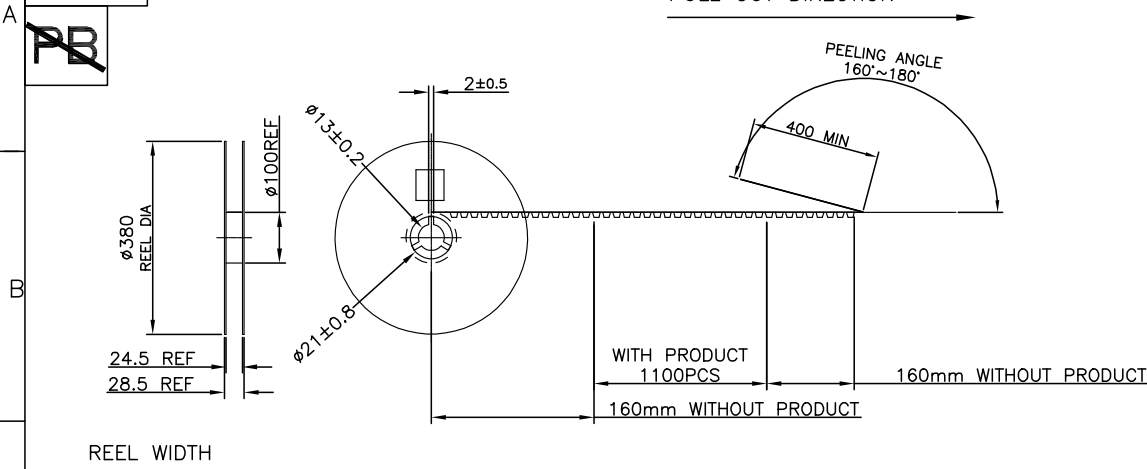
A
B
C
D
E

1 2 3 4 5 6 7 8

1 2 3 4 5 6 7 8

HF
Halogen Free

REV.	ECN NO.	LOCATION	DESCRIPTION	DATE	DESIGN
D			取消铝箔	2018/11/07	陈海波
E		⑫-⑭	变更焊脚结构	2020/07/08	Winner
F			依客户要求50u"~90u" Ni变更为 80u" Ni MIN	2020/07/08	Winner
G			增加公母对插图	2021/04/07	Winner
H		⑮	变更结合缝压印与实物一致	2021/11/30	Winner



NOTES: (FOR REEL)
 PACKAGING MUST MEET CONTROLLED SUBSTANCES SPEC. ROHS 2.0
 PACKAGING MATERIAL IN PLASTIC, RUBBER, INK, PIGMENT AND PAINT
 MUST MEET CONTROLLED SUBSTANCES SPEC PER 230-702.
 * CADMIUM AND CADMIUM COMPOUNDS NOT TO EXCEED: 5 PPM.
 * LEAD, CADMIUM, CHROM VI AND MERCURY NOT TO EXCEED: 100 PPM (COMBINED).
 * CARRIER TAPES, COVER TAPES, REELS AND TAPED COMPONENTS MUST MEET THE
 REQUIREMENTS DEFINED PER EIA-481-B.

1. MATERIAL:
 COVER TAPE: ANTISTATIC PS T=0.05±0.01mm, COLOR: CLEAR
 CARRIER TAPE: ANTISTATIC PS T=0.40±0.05mm, COLOR: BLACK
 REEL: PS UL94V-0
 SHIPPING BOX: CORRUGATED FIBER

2. DIMENSION:
 REEL: SEE DRAWING
 BOX: SEE DRAWING

3. QUANTITY: SEE TABLE
 4. WEIGHT: SEE TABLE
 5. PEELING RESISTANCE: 10gf~130gf (for 12~56mm)
 6. PEELING SPEED: 300mm/MINUTES

PCS/ REEL	REEL/ BOX	PCS/ BOX	PART NUMBER
1100	8	8800	40-42356-A2100RHF

<table border="1"> <thead> <tr> <th>DIM</th> <th>TOL</th> <th>DIM</th> <th>TOL</th> </tr> </thead> <tbody> <tr> <td>.x</td> <td>±0.30</td> <td>.x</td> <td>±2'</td> </tr> <tr> <td>.x</td> <td>±0.20</td> <td>.x</td> <td>±1'</td> </tr> <tr> <td>.xx</td> <td>±0.10</td> <td></td> <td></td> </tr> </tbody> </table>	DIM	TOL	DIM	TOL	.x	±0.30	.x	±2'	.x	±0.20	.x	±1'	.xx	±0.10			<p>DEREN SHENZHEN DEREN ELECTRONIC CO., LTD</p>		CUSTOMER DRAWING		DATE	TITLE: USB Type C REC. Mid-Mount CH=0.47mm Dual SMT Type CONNECTOR
	DIM	TOL	DIM	TOL																		
.x	±0.30	.x	±2'																			
.x	±0.20	.x	±1'																			
.xx	±0.10																					
DRAW NO. SC1701638 REV. G	DESIGN: 陈海波 CHECK: Charlie APPROVAL: Smark	2018/11/07 2018/11/07 2018/11/07	P/N: 40-42356-A2100RHF SHEET: 3/3 SCALE: 1:1 UNIT: mm																			