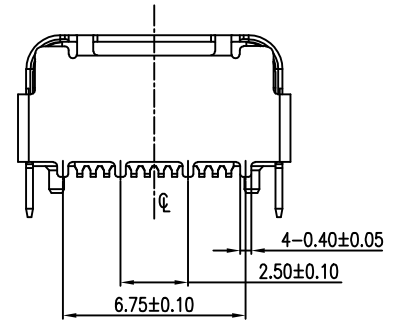
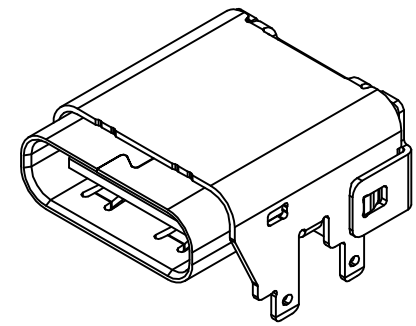
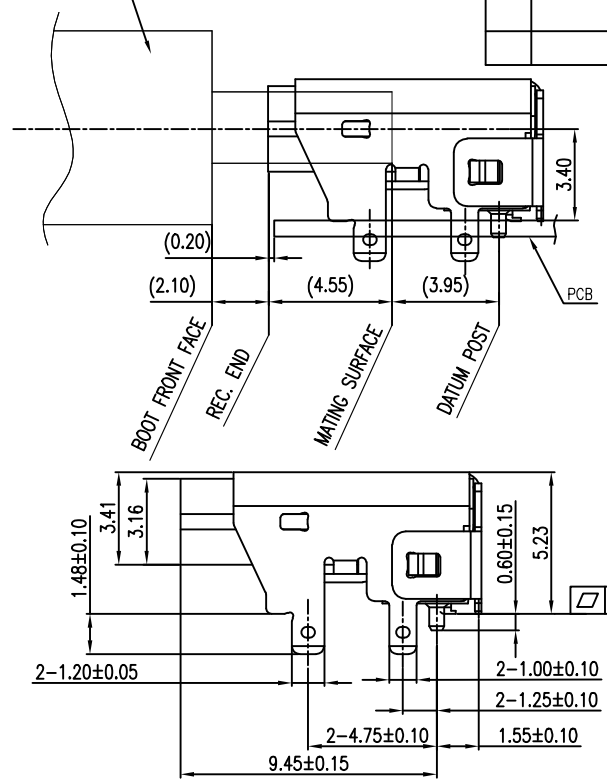


USB TYPE-C PLUG



REV.	ECN NO.	LOCATION	DESCRIPTION	DATE	DESIGN
A			INITIAL RELEASE	07/06'22	Winner

NO.	PART NAME	MATERIAL	FINISH	Q'TY
7	OUTER SHELL	STAINLESS STEEL	50u"NI ALL OVER	1
6	INNER SHELL	STAINLESS STEEL	CLEAN	1
5	MID PLATE	STAINLESS STEEL	CLEAN	1
3	BOTTOM CONTACTS	COPPER ALLOY	50u"NI ALL OVER/Au SEE NOTES MATTE TIN 80u" IN SOLDER TAIL	12
2	TOP CONTACTS			12
1	HOUSING	LCP	BLACK, UL 94V-0	1

TABLE 1

	DIM	TOL	DIM	TOL
3	40-42583-A1300RHF	Au 1u"	X.	±0.30
2	40-42583-A1200RHF	Au 15u"	.X	±0.25
1	40-42583-A1100RHF	Au 30u"	.XX	±0.15
编号	料号	规格	.XXX	±0.05



DEREN
SHENZHEN DEREN ELECTRONIC CO., LTD

DRAW NO.
SC1905621

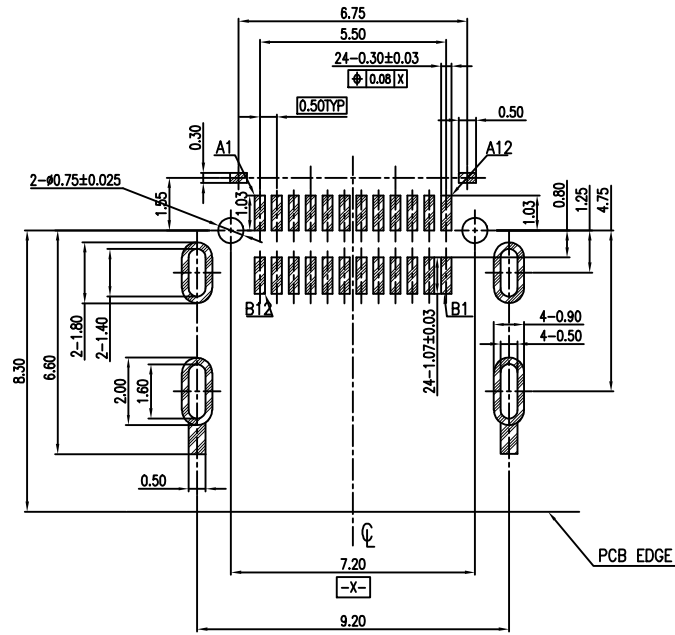
CUSTOMER DRAWING	DATE
DESIGN: Winner	07/06'22
CHECK:	
APPROVAL:	

TITLE	SHEET:	SCALE:	UNIT:
USB TYPE C REC 24PIN CL=3.4MM DUAL SMT CONN	1/3	1:1	mm

HF
Halogen Free



REV.	ECN NO.	LOCATION	DESCRIPTION	DATE	DESIGN
SEE SHEET1					



RECOMENED P.C.B LAYOUT
TOLERANCE: ±0.05

1. ELECTRICAL :
 - 1-1.CONTACT CURRENT RATING :
 - 5.0A FOR VBUS AND GND.
(i.e., Pins A4,A9,B4,B9)
 - 1.25A FOR Vconn AND GND.
(i.e., Pins B5,A1,A12,B1,B12)
 - 0.25A FOR ALL THE OTHERS CONTACTS.
 - 1-2.INSULATION RESISTANCE :
 - 100 MEGAOHMS MIN. AT 250VDC.
 - 1-3.DIELECTRIC WITHSTANDING VOLTAGE :
 - 100VAC MIN.
 - 1-4.LOW LEVEL CONTACT RESISTANCE :
 - INITIAL 40mΩ MAX.
 - AFTER 50mΩ MAX.
- 2.MECHANICAL CHARACTERISTICS :
 - 2-1.INSERTION FORCE :5N~20N .
 - 2-2.EXTRACTION FORCE :
 - 8N~20N FROM 1 TO 1000 CYCLES.
 - 6~20N FROM 1001 TO 10000 CYCLE.
 - 2-3.DURABILITY :10,000 MATING CYCLES.
 - 2-4.OPERATING TEMPERATURE :-55°C TO +85°C
3. REFLOW SOLDER CAPABLE TO 260°C 10 SECONDS.
4. PART NUMBER DESCRIPTION:
40-42583-A1*00RHF

- HF:HALOGEN FREE
- PACKAGE CODE:
- R:TAPE&REEL PACKING
- RESERVED CODE: 0
- LOGO CODE:
 - 0: W/ DEREN LOGO
 - 1: W/O LOGO
- CONTACT PLATING CODE:
 - 1: Au 30u"
 - 2: Au 15u"
 - 3: Gold Flash
- FORM CODE:
- PIN NUMBER CODE:
 - A: 24 PINS

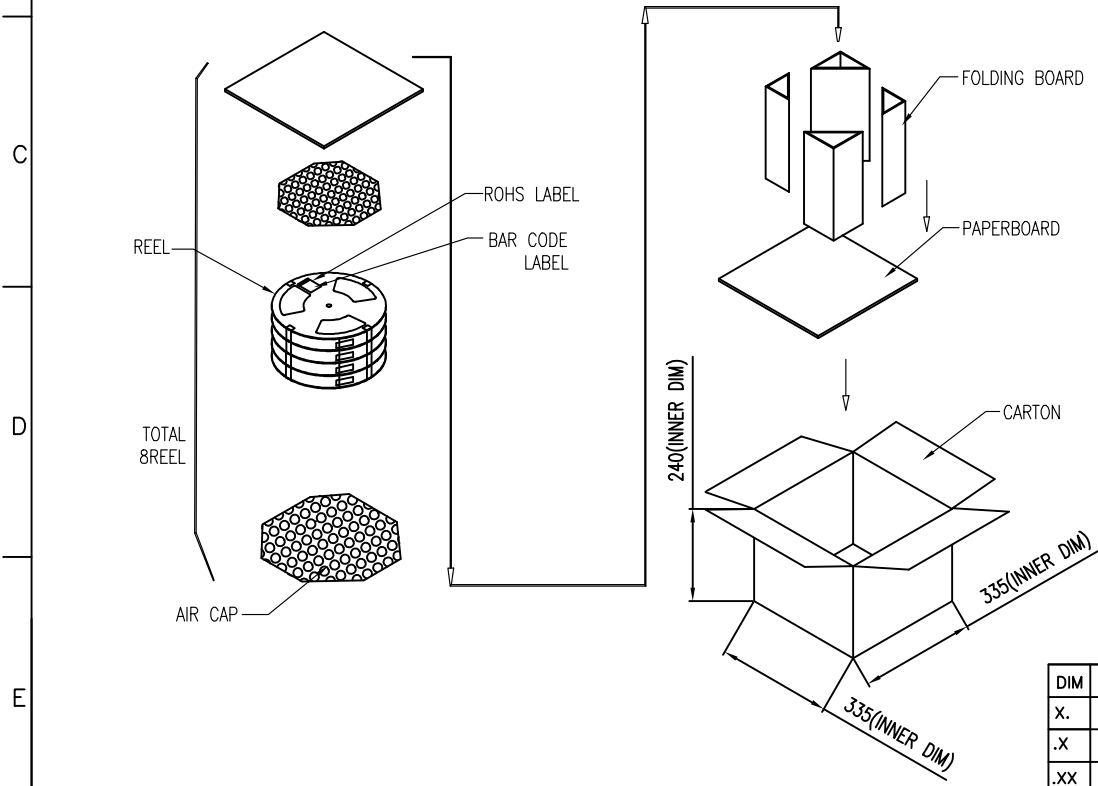
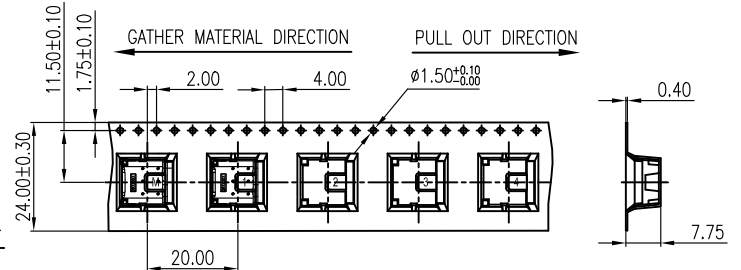
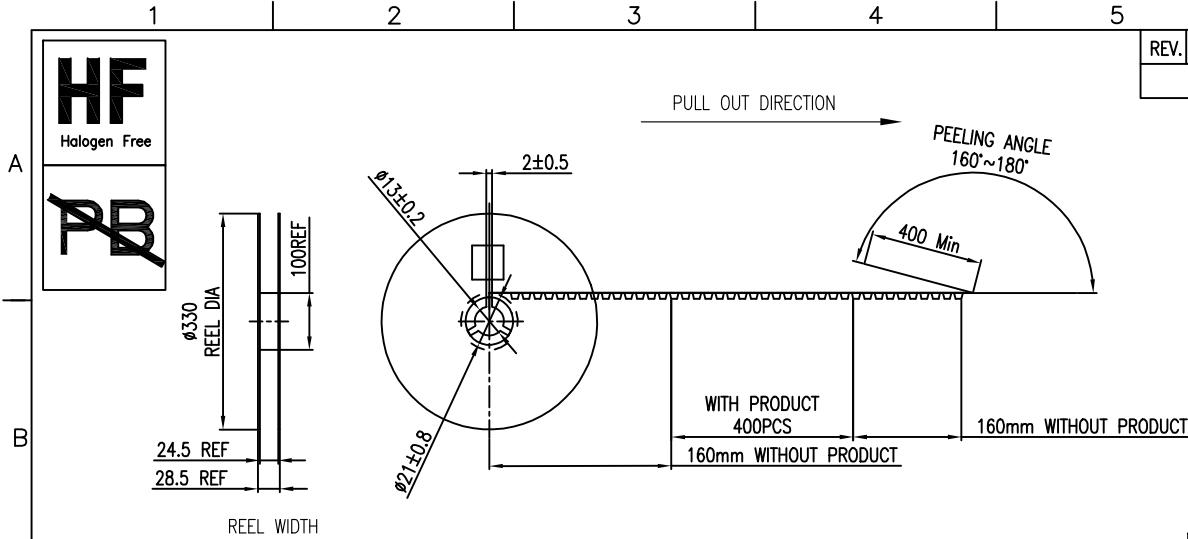
Pin	SIGNAL NAME	Pin	SIGNAL NAME
A1	GND	B12	GND
A2	SSTXp1	B11	SSRXp1
A3	SSTXn1	B10	SSRXn1
A4	VBUS	B9	VBUS
A5	CC1	B8	SBU2
A6	Dp1	B7	Dn2
A7	Dn1	B6	Dp2
A8	SBU1	B5	CC2
A9	VBUS	B4	VBUS
A10	SSRXn2	B3	SSTXn2
A11	SSRXp2	B2	SSTXp2
A12	GND	B1	GND

NO PATTERN. VIA HOLE IN THIS AREA

DIM	TOL	DIM	TOL
X.	±0.30	x.	±2'
.X	±0.25	.x	±1'
.XX	±0.15		
.XXX	±0.05		

	DEREN		SHENZHEN DEREN ELECTRONIC CO.,LTD	
	CUSTOMER DRAWING	DATE	TITLE: USB TYPE C REC 24PIN CL-3.4 DUAL SMT CONN	
DRAW NO. SC1905621	DESIGN: Winner	07/06'22	P/N: 40-42583-A1*00RHF	
REV. A	CHECK:		SHEET: 2/3	
APPROVAL:			SCALE: 1:1	UNIT: mm

REV.	ECN NO.	LOCATION	DESCRIPTION	DATE	DESIGN
SEE SHEET 1					



NOTES :(FOR REEL)
 PRODUCT MUST MEET CONTROLLED SUBSTANCES SPEC. ROHS 2.0
 PACKAGING MATERIAL IN PLASTIC, RUBBER, INK, PIGMENT AND PAINT
 MUST MEET CONTROLLED SUBSTANCES SPEC PER 230-702.
 * CADMIUM AND CADMIUM COMPOUNDS NOT TO EXCEED: 5 PPM.
 * LEAD, CADMIUM, CHROM VI AND MERCURY NOT TO EXCEED: 100 PPM (COMBINED).
 * CARRIER TAPES, COVER TAPES, REELS AND TAPED COMPONENTS MUST MEET THE
 REQUIREMENTS DEFINED PER EIA-481-B.

- MATERIAL :
 COVER TAPE : ANTISTATIC P.S T=0.05±0.01 ,COLOR: CLEAR
 CARRIER TAPE : ANTISTATIC P.S T=0.40mm ±0.05 , COLOR: CLEAR
 REEL : PS UL94V-0
 SHIPPING BOX: CORRUGATED FIBER
- DIMENSION :
 REEL : SEE DRAWING
 BOX : SEE DRAWING
- QUANTITY : SEE TABLE
- WEIGHT : SEE TABLE
- PEELING RESISTANCE : 10gf~130gf (for 12~56mm)
- PEELING SPEED : 300mm/MINUTES

400	8	3200	40-42583-A1*00RHF
PCS/ REEL	REEL/ BOX	PCS/ BOX	PART NUMBER

DIM	TOL	DIM	TOL
.X	±0.30	x	±2'
.X	±0.25	.x	±1'
.XX	±0.15		
.XXX	±0.05		

DEREN
 SHENZHEN DEREN ELECTRONIC CO., LTD

DRAW NO. SC1905621	DESIGN: Winner	DATE 07/06'22	TITLE: USB TYPE C REC 24PIN CL=3.4MM DUAL SMT CONN
	CHECK:		P/N: 40-42583-A1*00RHF
REV. A	APPROVAL:		SHEET: 3/3
			SCALE: 1:1 UNIT: mm