

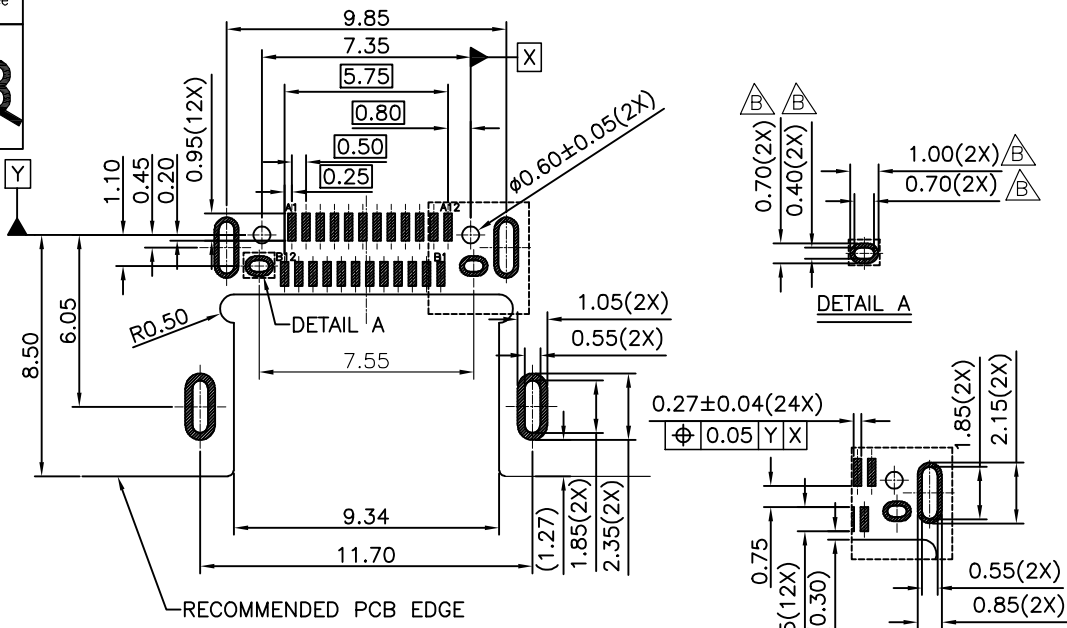
REV.	ECN NO.	LOCATION	DESCRIPTION	DATE	DESIGN
X1			PRODUCTION RELEASED	12/23'18	Wang_S

ITEM	PART NAME	Q'TY	MATERIAL	REMARK
④	CONTACT	24PCS	COOPER ALLOY	12u" MIN GOLD PLATING ON CONTACT AREA 1U" GOLD FLASH ON SOLDER AREA 50u" MIN. Ni UNDER PLATED OVER ALL.
③	I/M	1PCS	HIGHTEMP-PLASTIC	UL 94-V0, BLACK
②	MID_PLATE	1PCS	STAINLESS STEEL	50u" MIN Ni PLATED OVER ALL.
①	SHELL	1PCS	STAINLESS STEEL	50u" MIN BLACK Ni PLATED OVER ALL.

		DEREN SHENZHEN DEREN ELECTRONIC CO., LTD	
DIM	TOL	DIM	TOL
x.	±0.50	x.	±2'
.x	±0.30	.x	±1'
.xx	±0.20		
.xxx			
DRAW NO. SC2107874		DESIGN: WWZ	DATE: 12/23'21
REV. X1		CHECK:	
APPROVAL:			
TITLE: Docking UC REC CH=-0.64 Dual SMT Type CONN		P/N: 560010-018H	
SHEET: 1/3		UNIT: mm	
SCALE: 1:1			

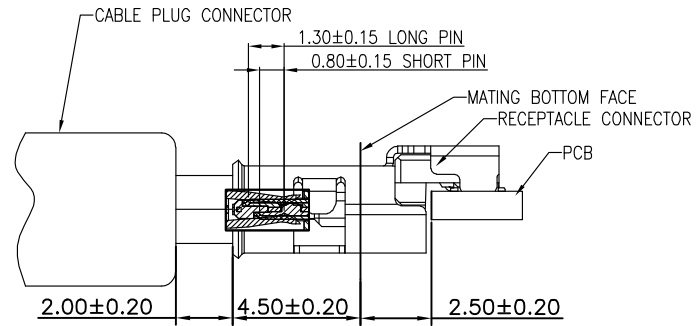


REV.	ECN NO.	LOCATION	DESCRIPTION	DATE	DESIGN
			SEE SHEET 1		



- NOTES:
- MATERIAL: SEE TABLE
 - ELECTRICAL PERFORMANCES:
 - VOLTAGE RATING: 20V DC MAX
 - CURRENT RATING:
 - VBUS AND GND AT RATED OF 1.25A, PARALLELED FOR A TOTAL OF 5A.
 - LOW LEVEL CONTACT RESISTANCE:
 - 40mΩ MAX. FOR VBUS, GND AND OTHER CONTACTS,
 - 50mΩ MAX. FINAL AFTER TEST.
 - INSULATION RESISTANCE: 500 MΩ MIN
 - DIELECTRIC WITHSTANDING VOLTAGE:
 - SUBJECT A VOLTAGE OF 100V AC FOR 1MINUTE BETWEEN ADJACENT CONTACTS;
 - MECHANICAL PERFORMANCES:
 - INSERTION FORCE: 0.15~0.7kgf.
 - EXTRACTION FORCE: 0.15~0.7kgf.
 - DURABILITY: 10,000 CYCLES.
 - OPERATING TEMPERATURE: -55°C TO +85°C
 - REFLOW SOLDER CAPABLE TO 260°C 10 SECS.
 - PART NUMBER INFORMATION: SEE TABLE

RECOMMENDED PAB LAYOUT
PCB THICKNESS 1.0±0.05



MATING CONDITION

PIN NO.

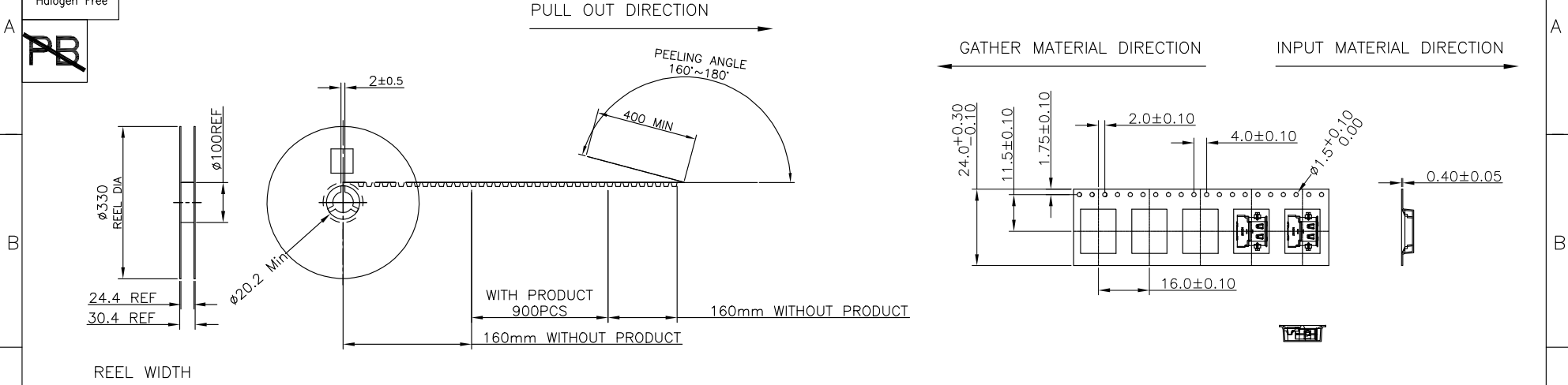
A1	A2	A3	A4	A5	A6	A7	A8	A9	A10	A11	A12
GND	SSTxp1	SSTxn1	VBUS	CC1	Dp1	Dn1	SBU1	VBUS	SSRXn2	SSRXp2	GND
GND	SSRXp1	SSRXn1	VBUS	SBU2	Dn2	Dp2	CC2	VBUS	SSTxn2	SSTxp2	GND
B12	B11	B10	B9	B8	B7	B6	B5	B4	B3	B2	B1

				DEREN SHENZHEN DEREN ELECTRONIC CO., LTD							
DIM		TOL		DRAW NO.		DESIGN:		DATE		TITLE: Docking UC REC CH=-0.64 Dual SMT Type CONN	
.x		±0.50		SC2107874		WWZ		12/23'21		P/N: 560010-018H	
.x		±0.30		REV. X1		CHECK:				SHEET: 2/3	
.xx		±0.20				APPROVAL:				SCALE: 1:1 UNIT: mm	
.xxx											

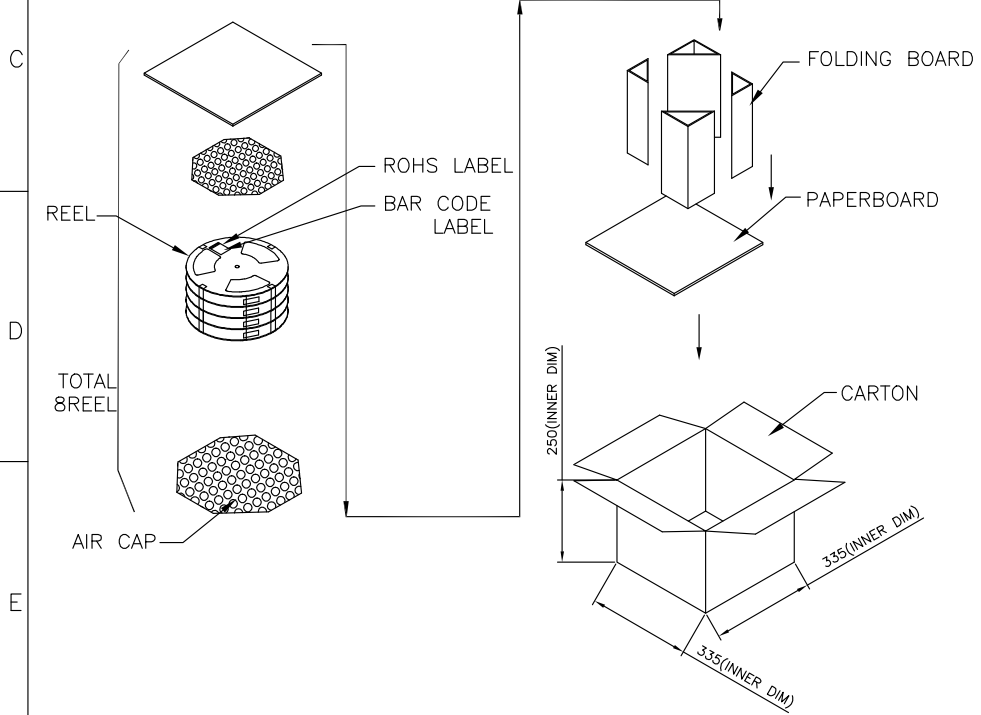
HF
Halogen Free



REV.	ECN NO.	LOCATION	DESCRIPTION	DATE	DESIGN
			SEE SHEET 1		



REEL WIDTH



NOTES: (FOR REEL)
 PRODUCT MUST MEET CONTROLLED SUBSTANCES SPEC. ROHS 2.0
 PACKAGING MATERIAL IN PLASTIC, RUBBER, INK, PIGMENT AND PAINT
 MUST MEET CONTROLLED SUBSTANCES SPEC PER 230-702.
 * CADMIUM AND CADMIUM COMPOUNDS NOT TO EXCEED: 5 PPM.
 * LEAD, CADMIUM, CHROM VI AND MERCURY NOT TO EXCEED: 100 PPM (COMBINED).
 * CARRIER TAPES, COVER TAPES, REELS AND TAPED COMPONENTS MUST MEET THE
 REQUIREMENTS DEFINED PER EIA-481-B.

- MATERIAL:
 COVER TAPE: ANTISTATIC PS T=0.05±0.01mm, COLOR: CLEAR
 CARRIER TAPE: ANTISTATIC PET T=0.40±0.05mm, COLOR: CLEAR
 REEL: PS UL94V-0
 SHIPPING BOX: CORRUGATED FIBER
- DIMENSION:
 REEL: SEE DRAWING
 BOX: SEE DRAWING
- QUANTITY: SEE TABLE
- WEIGHT: SEE TABLE
- PEELING RESISTANCE: 10gf~130gf (for 12~56mm)
- PEELING SPEED: 300mm/MINUTES

PCS/ REEL	REEL/ BOX	PCS/ BOX	PART NUMBER
900	8	7200	560Q10-018H

		DEREN SHENZHEN DEREN ELECTRONIC CO., LTD	
DIM TOL x. ±0.50 .x ±0.30 .xx ±0.20		DIM TOL x. ±2' .x ±1'	
DRAW NO. SC2107874		CUSTOMER DRAWING DESIGN: WWZ DATE: 12/23'21	
REV. X1		APPROVAL:	
TITLE: Docking UC REC CH+-0.64 Dual SMT Type CONN		P/N: 560Q10-018H	
SHEET: 3/3		SCALE: 1:1 UNIT: mm	