

REV.	ECN NO.	LOCATION	DESCRIPTION	DATE	DESIGN
A			PRODUCTION RELEASED	09/10'19	Winner

ITEM	PART NAME	Q'TY	MATERIAL	REMARK
④	CONTACT	24PCS	COOPER ALLOY	50u" MIN. Ni UNDER PLATING. 1u" MIN. Au PLATING ON SOLDER AREA. 30u" Min GOLD PLATING ON CONTACT AREA.
③	I/M	1PCS	HIGHTEMP-PLASTIC	UL 94-V0, BLACK
②	MID_PLATE	1PCS	STAINLESS STEEL	50u" MIN Ni PLATED OVER ALL.
①	SHELL	2PCS	STAINLESS STEEL	50u" MIN Ni PLATED OVER ALL.

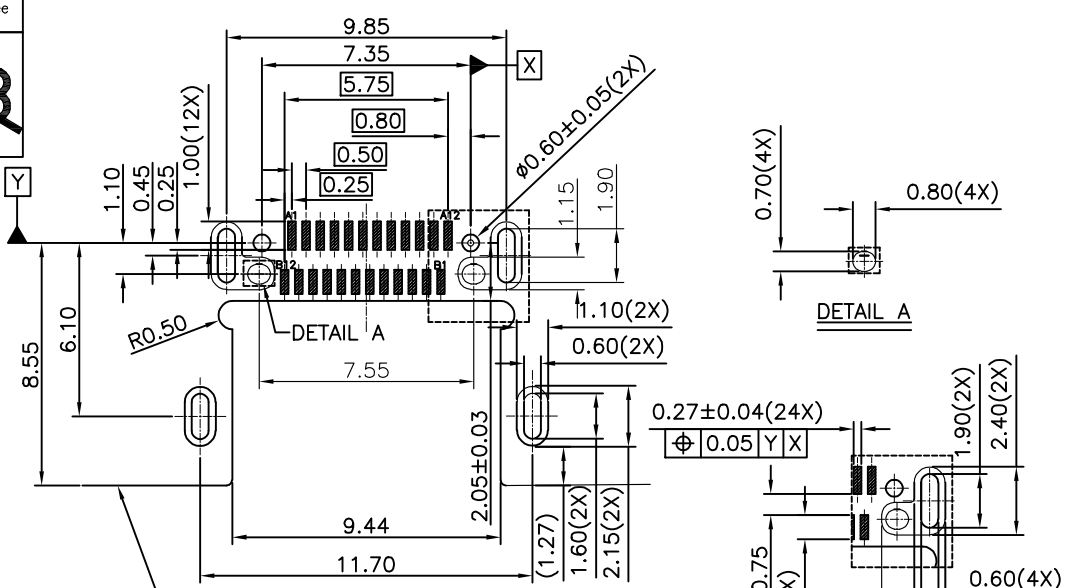


DEREN		SHENZHEN DEREN ELECTRONIC CO., LTD	
CUSTOMER DRAWING	DATE	TITLE: UC REC CH=-0.55 Dual SMT CONN	
DESIGN: Winner	08/12'19	P/N: 560Q25-001H	
CHECK: Charles	08/12'19	SHEET: 1/3	
APPROVAL: SMARK	08/12'19	SCALE: 1:1	UNIT: mm

560Q25-001H		30u" MIN GOLD PLATING ON CONTACT AREA
INSPECTION P/N	CUSTOMER P/N	REMARK

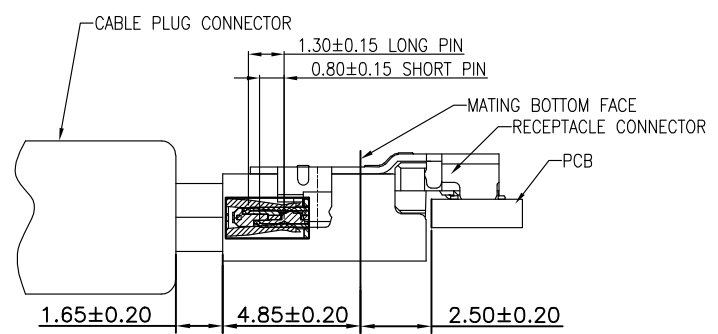
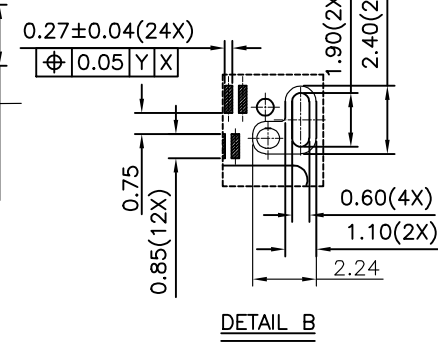


REV.	ECN NO.	LOCATION	DESCRIPTION	DATE	DESIGN
A			SEE SHEET 1	09/10'19	Winner



RECOMMENDED PCB EDGE

RECOMMENDED PAB LAYOUT
PCB THICKNESS 1.0±0.05



MATING CONDITION

- NOTES:
- MATERIAL: SEE TABLE
 - ELECTRICAL PERFORMANCES:
 - VOLTAGE RATING: 20V DC MAX
 - CURRENT RATING:
 - VBUS AND GND AT RATED OF 1.25A, PARALLELED FOR A TOTAL OF 5A.
 - LOW LEVEL CONTACT RESISTANCE:
 - 40mΩ MAX. FOR VBUS, GND AND OTHE CONTACTS,
 - 50mΩ MAX. FINAL AFTER TEST.
 - INSULATION RESISTANCE: 500 MΩ MIN
 - DIELECTRIC WITHSTANDING VOLTAGE:
 - SUBJECT A VOLTAGE OF 100V AC FOR 1MINUTE BETWEEN ADJACENT CONTACTS;
 - MECHANICAL PERFORMANCES:
 - INSERTION FORCE: 0.15~0.7kgf.
 - EXTRACTION FORCE: 0.15~0.7kgf.
 - DURABILITY: 10,000 CYCLES.
 - OPERATING TEMPERATURE: -55°C TO +85°C
 - REFLOW SOLDER CAPABLE TO 260°C 10 SECS.
 - "▶" SHOWS Cpk MEASUREMENT ITEMS.
 - PART NUMBER INFORMATION: SEE TABLE
 - USB3.1 GEN 2

PIN NO.

A1	A2	A3	A4	A5	A6	A7	A8	A9	A10	A11	A12
GND	SSTxp1	SSRXn1	VBus	CC1	Dp1	Dn1	SBU1	VBus	SSRXn2	SSRXp2	GND
GND	SSRXp1	SSRXn1	VBus	SBU2	Dn2	Dp2	CC2	VBus	SSTxn2	SSTxp2	GND
B12	B11	B10	B9	B8	B7	B6	B5	B4	B3	B2	B1

DIM				TOL				DRAW NO.		DESIGN:		DATE:		TITLE:	
x.		±0.50		x.		±2'		SC1905900	DESIGN:	Winner	08/12'19	UC REC CH=-0.55 Dual SMT CONN			
.x		±0.30		.x		±1'		REV. A	CHECK:	Charles	08/12'19	P/N: 560Q25-001H		SHEET: 2/3	
.xx		±0.20							APPROVAL:	SMARK	08/12'19	SCALE: 1:1		UNIT: mm	
.xxx															

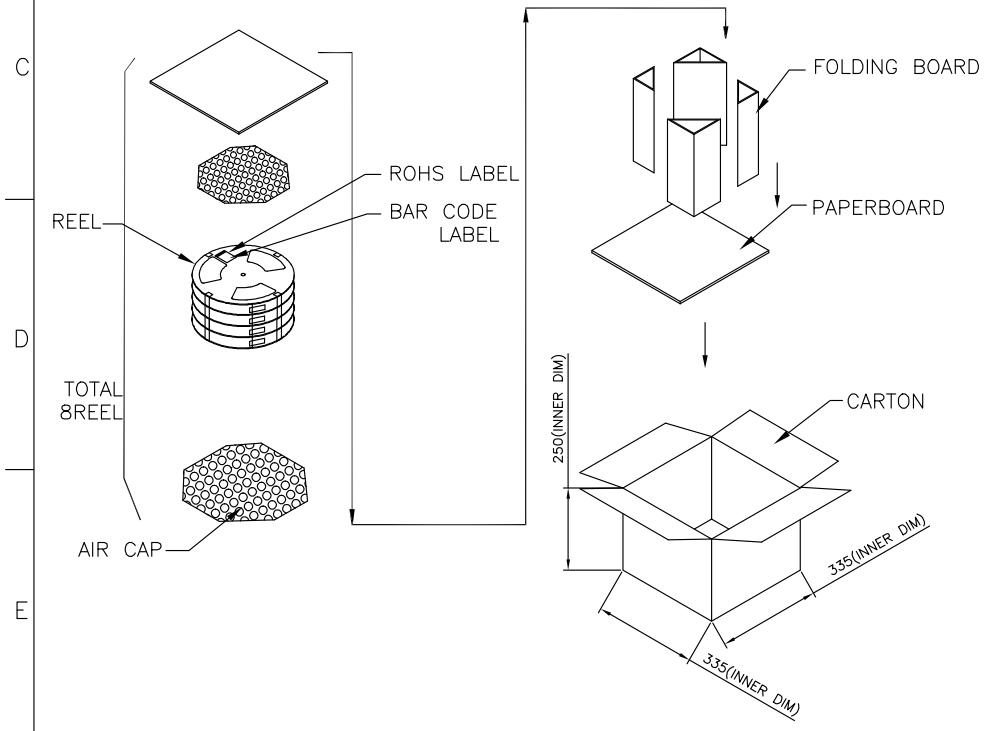
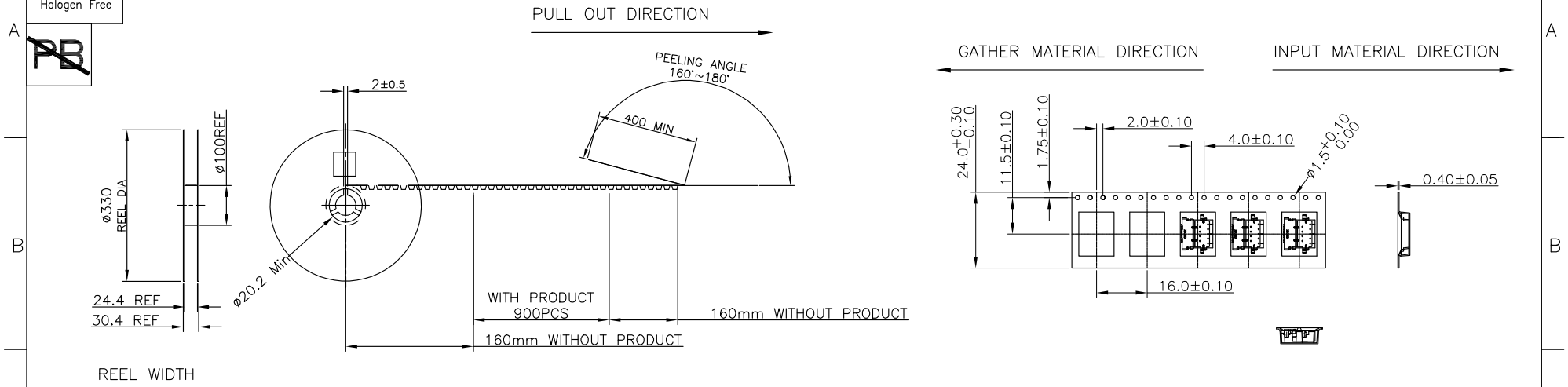


DEREN
SHENZHEN DEREN ELECTRONIC CO., LTD

HF
Halogen Free



REV.	ECN NO.	LOCATION	DESCRIPTION	DATE	DESIGN
A			SEE SHEET 1	09/10'19	Winner



NOTES: (FOR REEL)
 PRODUCT MUST MEET CONTROLLED SUBSTANCES SPEC. ROHS 2.0
 PACKAGING MATERIAL IN PLASTIC, RUBBER, INK, PIGMENT AND PAINT
 MUST MEET CONTROLLED SUBSTANCES SPEC PER 230-702.
 * CADMIUM AND CADMIUM COMPOUNDS NOT TO EXCEED: 5 PPM.
 * LEAD, CADMIUM, CHROM VI AND MERCURY NOT TO EXCEED: 100 PPM (COMBINED).
 * CARRIER TAPES, COVER TAPES, REELS AND TAPED COMPONENTS MUST MEET THE
 REQUIREMENTS DEFINED PER EIA-481-B.

- MATERIAL:
 COVER TAPE: ANTISTATIC PS T=0.05±0.01mm, COLOR: CLEAR
 CARRIER TAPE: ANTISTATIC PET T=0.40±0.05mm, COLOR: CLEAR
 REEL: PS UL94V-0
 SHIPPING BOX: CORRUGATED FIBER
- DIMENSION:
 REEL: SEE DRAWING
 BOX: SEE DRAWING
- QUANTITY: SEE TABLE
- WEIGHT: SEE TABLE
- PEELING RESISTANCE: 10gf~130gf (for 12~56mm)
- PEELING SPEED: 300mm/MINUTES

PCS/ REEL	REEL/ BOX	PCS/ BOX	PART NUMBER
900	8	7200	560Q25-00XH

<table border="1"> <thead> <tr> <th>DIM</th> <th>TOL</th> <th>DIM</th> <th>TOL</th> </tr> </thead> <tbody> <tr> <td>.x</td> <td>±0.50</td> <td>.x</td> <td>±2'</td> </tr> <tr> <td>.x</td> <td>±0.30</td> <td>.x</td> <td>±1'</td> </tr> <tr> <td>.xx</td> <td>±0.20</td> <td></td> <td></td> </tr> </tbody> </table>	DIM	TOL	DIM	TOL	.x	±0.50	.x	±2'	.x	±0.30	.x	±1'	.xx	±0.20			<p>DEREN SHENZHEN DEREN ELECTRONIC CO., LTD</p>	CUSTOMER DRAWING		DATE	TITLE: UC REC CH=0.55 Dual SMT CONN
	DIM	TOL	DIM	TOL																	
.x	±0.50	.x	±2'																		
.x	±0.30	.x	±1'																		
.xx	±0.20																				
DRAW NO.	DESIGN:	Winner	08/12'19	P/N:560Q25-001H																	
SC1905900	CHECK:	Charles	08/12'19	SHEET:	3/3																
REV. A	APPROVAL:	SMARK	08/12'19	SCALE:	1:1																
				UNIT:	mm																