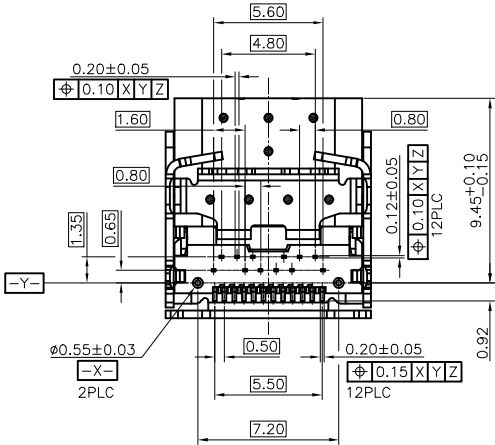
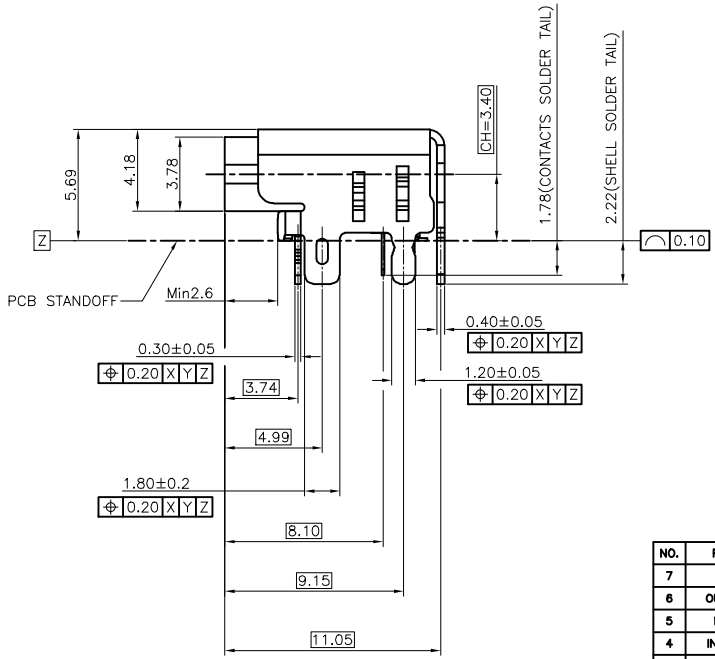
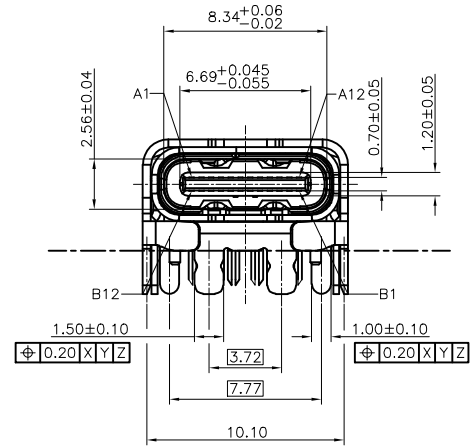
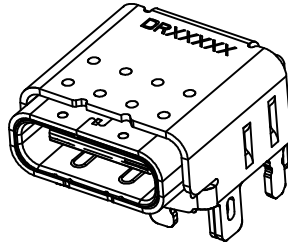
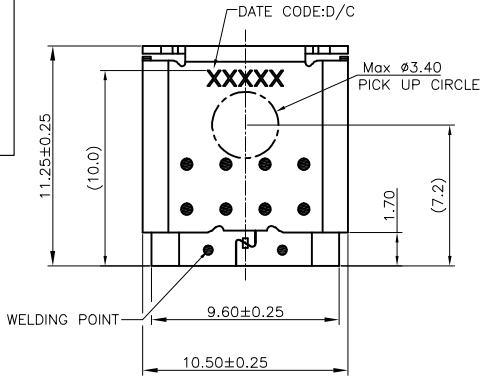


HF

Halogen Free



NOTES :

- ELECTRICAL :
 - CONTACT CURRENT RATING :
 5.0A FOR VBUS AND GND.
 (i.e., Pins A4,A9,B4,B9)
 1.25A FOR Vconn AND GND.
 (i.e., Pins B5,A1,A12,B1,B12)
 0.25A FOR ALL THE OTHERS CONTACTS.
 - INSULATION RESISTANCE :
 100 MEGAOHMS MIN. AT 250VDC.
 - DIELECTRIC WITHSTANDING VOLTAGE :
 100VAC MIN.
 - LOW LEVEL CONTACT RESISTANCE :
 INITIAL 40m Ω MAX.
 AFTER 50m Ω MAX.
- MECHANICAL CHARACTERISTICS :
 - INSERTION FORCE :
 5N~20N .
 - EXTRACTION FORCE :
 8N~20N FROM 1 TO 1000 CYCLES
 6~20N FROM 1001 TO 10000 CYCLE.
 - DURABILITY :
 10,000 MATING CYCLES.
 - OPERATING TEMPERATURE :
 -55°C TO +85°C
- REFLOW SOLDER CAPABLE TO 260°C 10 SECS.

NO.	PART NAME	MATERIAL	FINISH	Q'TY
7	MID PLATE	STAINLESS STEEL	CLEAN	1
6	OUTER SHELL	STAINLESS STEEL	50 μ NI ALL OVER/MATTE SN100 μ SOLDER TAIL	1
5	MID SHELL	STAINLESS STEEL	CLEAN	1
4	INNER SHELL	STAINLESS STEEL	50 μ NI ALL OVER/MATTE SN100 μ SOLDER TAIL	1
3	BOTTOM CONTACTS	COPPER ALLOY	SEE NOTE	12
2	TOP CONTACTS	COPPER ALLOY	SEE NOTE	12
1	HOUSING	LCP	BLACK, UL 94V-0	3

DIM	TOL	DIM	TOL
x.	\pm 0.30	x.	\pm 2'
.x	\pm 0.25	.x	\pm 1'
.xx	\pm 0.15		
.xxx	\pm 0.05		

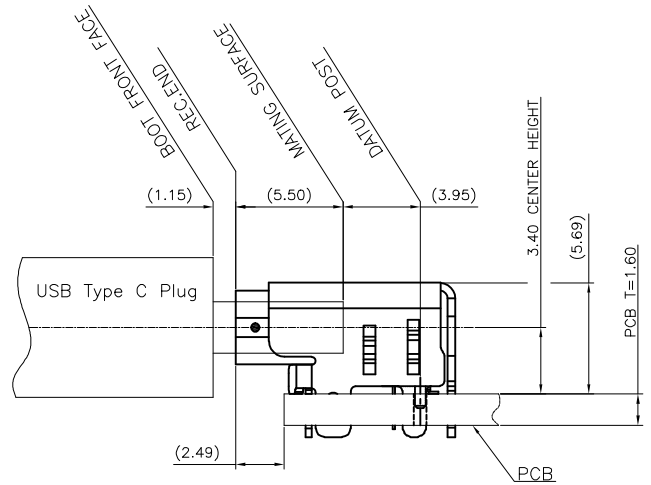
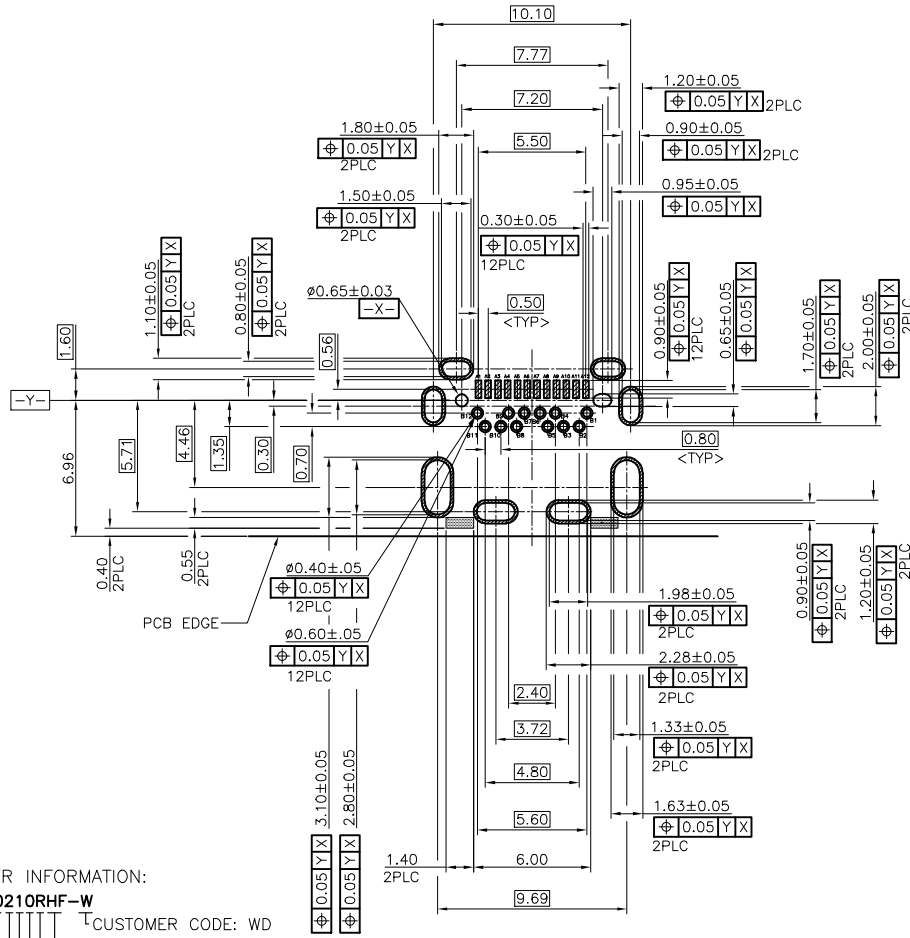


DEREN
 SHENZHEN DEREN ELECTRONIC CO., LTD

DRAW NO.		DESIGN:		DATE:		TITLE:	
SC2208226		DESIGN:	Chen haibo	06/13'22	USB TYPE C REC 24PIN CONNECTOR CH=3.40mm		
REV. A		CHECK:	Charlie	06/13'22	P/N:	40-42564-A0210RHF-W	
APPROVAL:		Smark	06/13'22	SHEET:	1/3	UNIT: mm	

REV.	DESCRIPTION	DATE	DESIGN
	SEE PAGE 1		

HF
Halogen Free



MATING CONDITION REF.

PIN DEFINE:

Pin	Signal Name	Description	Mating Sequence	Pin	Signal Name	Description	Mating Sequence
A1	GND	Ground return	First	B12	GND	Ground return	First
A2	SSTXP1	Positive half of first Super Speed TX differential pair	Second	B11	SSRXp1	Positive half of first Super Speed RX differential pair	Second
A3	SSTXn1	Negative half of first Super Speed TX differential pair	Second	B10	SSRXn1	Negative half of first Super Speed RX differential pair	Second
A4	VBUS	Bus Power	First	B9	VBUS	Bus Power	First
A5	CC1	Configuration Channel	Second	B8	SBU2	Sideband Use(SBU)	Second
A6	Dp1	Positive half of the USB 2.0 differential pair-Position 1	Second	B7	Dn2	Negative half of the USB 2.0 differential pair-Position 2	Second
A7	Dn1	Negative half of the USB 2.0 differential pair-Position 1	Second	B6	Dp2	Positive half of the USB 2.0 differential pair-Position 2	Second
A8	SBU1	Sideband Use(SBU)	Second	B5	CC2	Configuration Channel	Second
A9	VBUS	Bus Power	First	B4	VBUS	Bus Power	First
A10	SSRXn2	Negative half of second Super Speed RX differential pair	Second	B3	SSTXn2	Negative half of second Super Speed TX differential pair	Second
A11	SSRXp2	Positive half of second Super Speed RX differential pair	Second	B2	SSTXp2	Positive half of second Super Speed TX differential pair	Second
A12	GND	Ground return	First	B1	GND	Ground return	First

4. PART NUMBER INFORMATION:

40-42564-A 0210RHF-W

- CUSTOMER CODE: WD
- HF: HALOGEN FREE
- PACKAGE CODE:
- R: TAPE&REEL PACKING
- RESERVED CODE: 0
- LOGO CODE:
- 0: W/ DEREN LOGO
- 1: W/O LOGO
- CONTACT PLATING CODE:
- 1: Au 30u"
- 2: G/F & Pd/Ni 30u"
- 3: Au G/F
- 4: Au 15u"
- FORM CODE: 0
- PIN NUMBER CODE: A:24 PINS

RECOMENED P.C.B LAYOUT

THICKNESS=1.60mm
TOLERANCE: ±0.05
TOP VIEW

NO PATTERN, VIA HOLE IN THIS AREA

DIM	TOL	DIM	TOL
x.	±0.30	x.	±2'
.x	±0.25	.x	±1'
.xx	±0.15		
.xxx	±0.05		

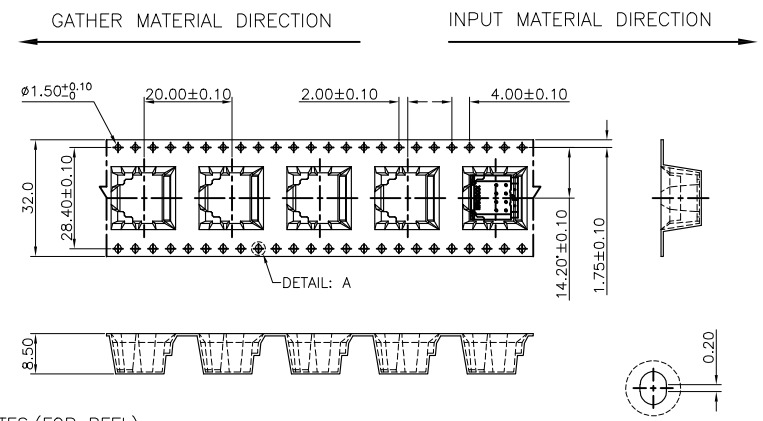
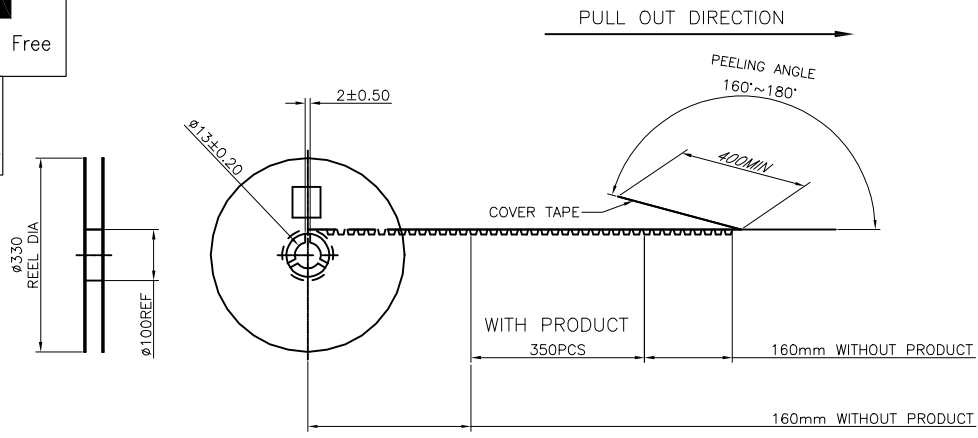


DEREN
SHENZHEN DEREN ELECTRONIC CO., LTD

DRAW NO. SC2208226	DESIGN: Chen haibo	DATE: 06/13'22	TITLE: USB TYPE C REC. 24PIN CONNECTOR CH=3.40mm
REV. A	CHECK: Charlie	DATE: 06/13'22	SHEET: 2/3
	APPROVAL: Smark	DATE: 06/13'22	SCALE: N/A UNIT: mm

REV.	DESCRIPTION	DATE	DESIGN
	SEE PAGE 1		

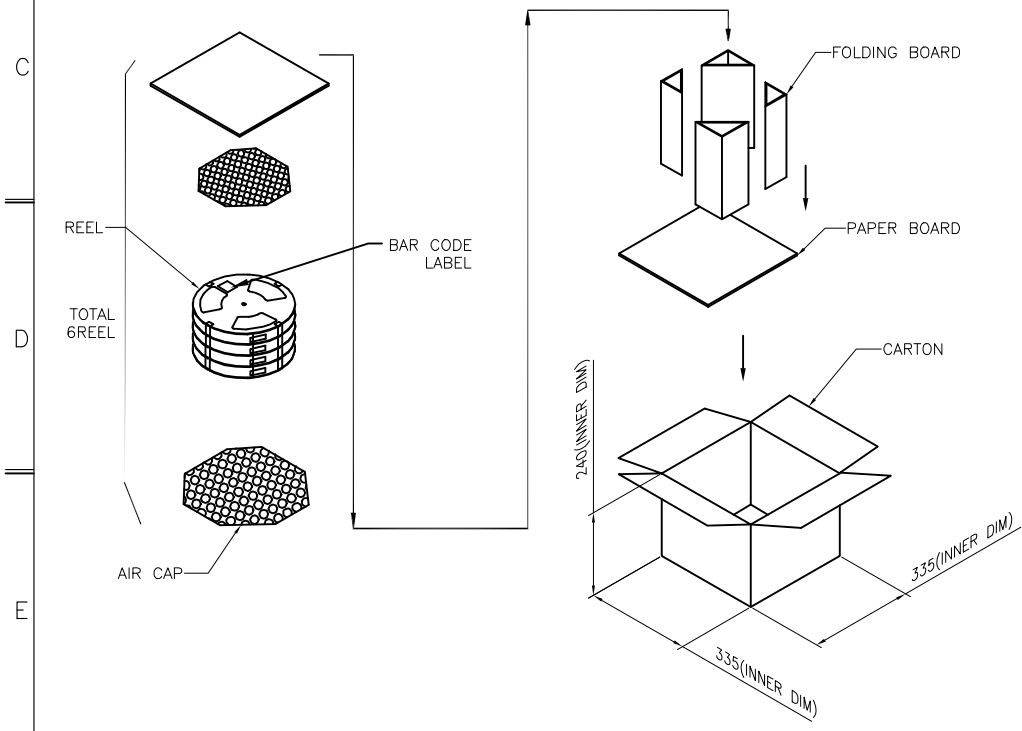
HF
Halogen Free



NOTES:(FOR REEL)
 PRODUCT MUST MEET CONTROLLED SUBSTANCES SPEC. ROHS 2.0
 PACKAGING MATERIAL IN PLASTIC, RUBER, INK, PIGMENT AND PAINT
 MUST MEET CONTROLLED SUBSTANCES SPEC PER 230-702.
 * CADMIUM AND CADMIUM COMPOUNDS NOT TO EXCEED: 5 PPM.
 * LED, CADMIUM, CHROM VI AND MERCURY NOT TO EXCEED: 100 PPM(COMBINED).
 * CARRIER TAPES, COVER TAPES, REELS AND TAPED COMPONENTS MUST MEET THE REQUIREMENTS DEFINED PER EIA-481-B.

1. MATERIAL:
 COVER TAPE: ANTISTATIC P.S T=0.05±0.01; COLOR: CLEAR
 CARRIER TAPE: ANTISTATIC P.S T=0.40mm ±0.05 , COLOR: WHITE
 REEL: PS UL94V-0
 SHIPPING BOX: CORRUGATED FIBER
2. DIMENSION:
 REEL: SEE DRAWING
 BOX: SEE DRAWING
3. QUANTITY: SEE TABLE
4. WEIGHT: SEE TABLE
5. PEELING RESISTANCE: 10gf~130gf (for 12~56mm)
6. PEELING SPEED: 300mm/MINUTES

350	6	2100	40-42564-A0210RHF-W
PCS/REEL	REEL/BOX	PCS/BOX	PART NUMBER



DIM	TOL	DIM	TOL	 DEREN SHENZHEN DEREN ELECTRONIC CO., LTD
x.	N/A	x.	N/A	
.x	N/A	.x	N/A	CUSTOMER DRAWING: SC2208226 DESIGN: Chen haibo CHECK: Charlie REV. A DATE: 06/13'22 APPROVAL: Smark
.xx	N/A			
				TITLE: USB TYPE C REC 24PIN CONNECTOR CH=3.40mm P/N: 40-42564-A0210RHF-W SHEET: 3/3 SCALE: N/A UNIT: mm