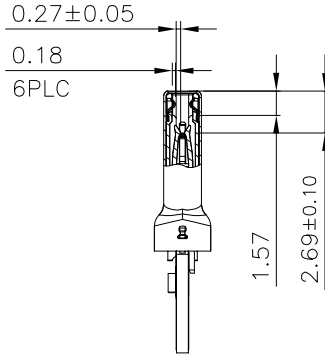
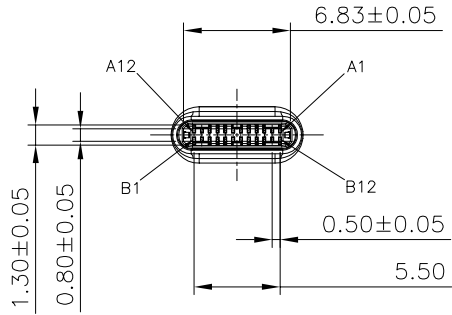
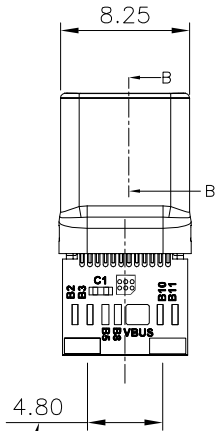
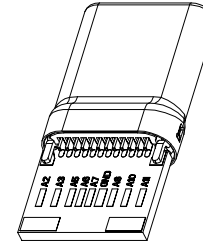
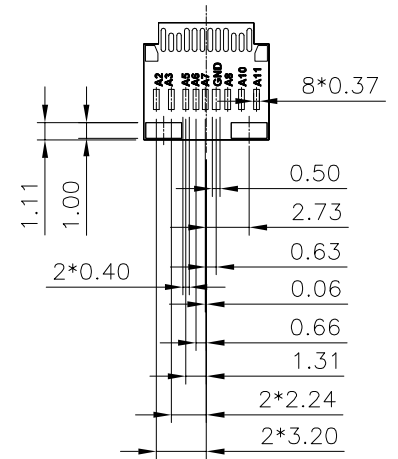
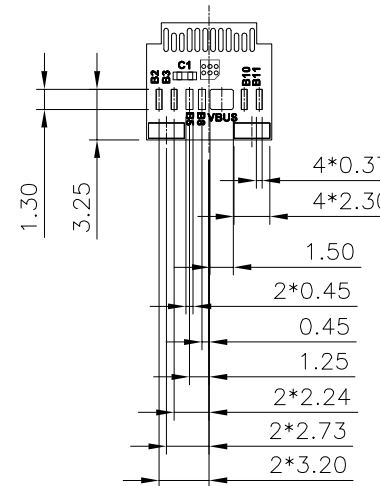
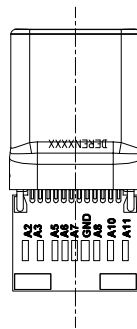
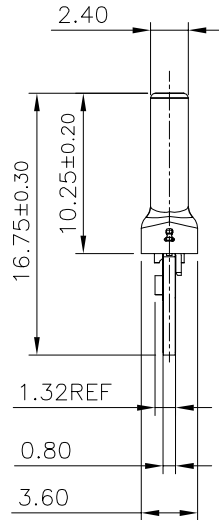


HF

Halogen Free

REV.	ECN NO.	LOCATION	DESCRIPTION	DATE	DESIGN
A			INITIAL RELEASE	2017.03.16	Liangkeyao
B		⑤	UPDATE CONTACT FIGURE	2017.06.08	Liangkeyao

SECTION B-B
SCALE 1:1V-CUT AREA
BURRS: 0.25MAX

DIM	TOL	DIM	TOL
x.	±0.30	x.	±2°
.x	±0.25	.x	±1°
.xx	±0.15		

**DEREN**

SHENZHEN DEREN ELECTRONIC CO., LTD

CUSTOMER DRAWING DATE

DESIGN: Liangkeyao 2017.06.07

CHECK:

APPROVAL:

TITLE: UC PLUG WITH PCB(DH Coaxial WITH IC VL151-W & C 100nF)

P/N: 40-42415-C24DxTxxxHF

SHEET: 1/4

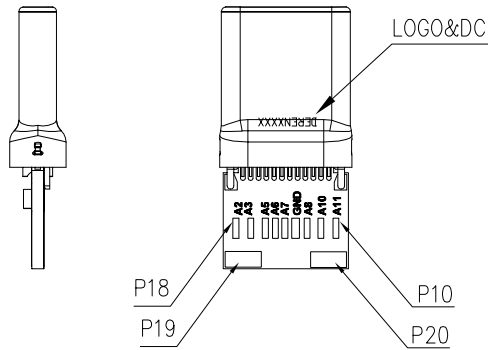
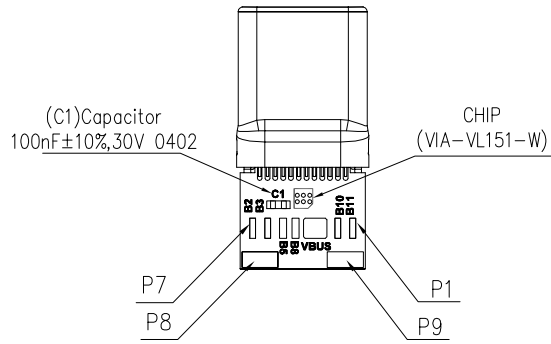
SCALE: 1:1 UNIT: mm



HF

Halogen Free

REV.	ECN NO.	LOCATION	DESCRIPTION	DATE	DESIGN
A			INITIAL RELEASE	2017.03.16	Liangkeyao
B		Ⓟ	UPDATE CONTACT FIGURE	2017.06.08	Liangkeyao



CONTACT FIGURE:

CONN PIN	PCB PIN	PCB PIN	CONN PIN
B11	P1	P10	A11
B10	P2	P11	A10
B4,B9,A4,A9	P3	P12	A8
B8	P4	P14	A7
NA	P5	P15	A6
B3	P6	P16	A5
B2	P7	P17	A3
A1,A12,B1,B2, SHELL	P8&P9&P13 &P19&P20	P18	A2

TIN THICKNESS REQUEST:


- 1、CABLE PADS(P3&p8&P9&P19&P20) WITH TIN THICKNESS: 0.20~0.30mm
- 2、CABLE PADS OTHER PAD WITH TIN THICKNESS: 0.15~0.25mm

PINS DESCRIPTION

PLUG FRONT VIEW

A12	A11	A10	A9	A8	A7	A6	A5	A4	A3	A2	A1
GND	RX2+	RX2-	VBus	SBU1	D-	D+	CC	VBus	TX1-	TX1+	GND
GND	TX2+	TX2-	VBus	Vconn			SBU2	VBus	RX1-	RX1+	GND
B1	B2	B3	B4	B5	B6	B7	B8	B9	B10	B11	B12

DIM	TOL	DIM	TOL
x.	±0.30	x.	±2°
.x	±0.25	.x	±1°
.xx	±0.15		

 <p>DEREN SHENZHEN DEREN ELECTRONIC CO., LTD</p>	CUSTOMER DRAWING		DATE	TITLE: UC PLUG WITH PCB(DH Coaxial WITH IC VL151-W & C 100nF) P/N: 40-42415-C24DxTxxxHF SHEET: 2/4 SCALE: 1:1 UNIT: mm
	DESIGN:	Liangkeyao	2017.06.07	
	CHECK:			
	REV.	B	APPROVAL:	

HF

Halogen Free

REV.	ECN NO.	LOCATION	DESCRIPTION	DATE	DESIGN
A			INITIAL RELEASE	2017.03.16	Liangkeyao
B		Ⓟ	UPDATE CONTACT FIGURE	2017.06.08	Liangkeyao

NOTES:

1. MATERIAL

- 1.1 HSG: HIGH TEMPERATURE THERMOPLASTIC UL94V-0; COLOR: SEE PART NUMBER INFORMATION
- 1.2 CONTACT: COPPER ALLOY
- 1.3 LATCH: STAINLESS STEEL
- 1.4 EMI SPRING: STAINLESS STEEL
- 1.5 SHELL: STEEL
- 1.6 PCB: FR4 6 LAYERS PATING GOLD

2. FINISH:

2.1 CONTACT:

- SEE PART NUMBER INFORMATION MIN, Au PLATING ON CONTACT AREA.
- 100u" [2.54um] MIN. TIN PLATING ON SOLDER TAIL AREA.
- 80u" [2.03um] MIN. NICKEL UNDERPLATING ON ALLOVER AREA.

2.2 SHELL

SEE PART NUMBER INFORMATION

2.3 LATCH:

- 100u" [2.54um] MIN. TIN PLATING ON SOLDER TAIL AREA.
- 50u" [1.27um] MIN. NICKEL UNDERPLATING ON ALLOVER AREA.

3. MATING FORCE: 5~20N; UNMATING FORCE: 8~20N(0~1000 CYCLES)AND 6~20N AFTER 10000 CYCLES

4. DIELECTRIC WITHSTANDING VOLTAGE: 300V AC/MINUTE FOR PER PIN

5. INSULATION RESISTANCE: 100M OHM BETWEEN ADJACENT CONTACTS AT 300V DC

6. TEMPERATURE RISING: 5A 30°C FOR VBus AND GND PIN

7. DATE CODE INFORMATION:

DEREN XX X X

ASSEMBLY LINE

DAY: 1~7 (SUN:1;MON:2)

WEEK: 01~53

LOGO: DEREN

8. PART NUMBER INFORMATION:

40-42415-C24 D * T * * * * HF

HALOGEN CODE:

HF: HALOGEN FREE

SHELL PLATING:

0: PEARL NICKEL

1: NICKEL

2: GOLD(G/F)

3: SAND BLAST

LOGO:

0: WITH LOGO & WITHOUT EMI SPRING

1: WITHOUT LOGO & WITHOUT EMI SPRING

2: WITH LOGO & WITH EMI SPRING

3: WITHOUT LOGO & WITH EMI SPRING

HOUSING COLOR:

0: BLACK

1: WHITE

2: RED

3: YELLOW

PACKAGE CODE:

T: TRAY PACKING

PLATING CODE:

1: Au:30u"

2: G/F

3: Au:5u"

4: Au:10u"

5: Au:15u"

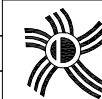
ASSY MOLD:

D: PCB FOR COAXIAL WITH VL151-W & CAPACITOR 100nF

PIN NUMBER CODE:

C24: 24PINS

DIM	TOL	DIM	TOL
x.	±0.30	x.	±2°
.x	±0.25	.x	±1°
.xx	±0.15		

**DEREN**

SHENZHEN DEREN ELECTRONIC CO., LTD

CUSTOMER DRAWING

DATE

DESIGN: Liangkeyao 2017.06.07

CHECK:

APPROVAL:

TITLE: UC PLUG WITH PCB(DH Coaxial WITH IC VL151-W & C 100nF)

P/N: 40-42415-C24DxTxxxHF

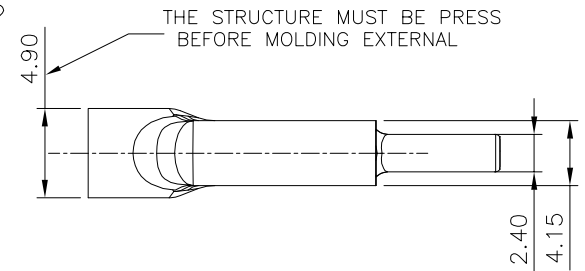
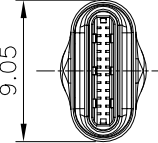
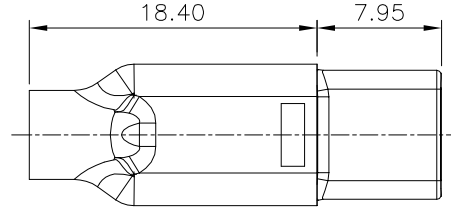
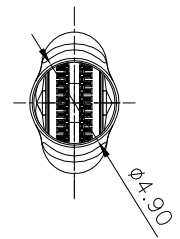
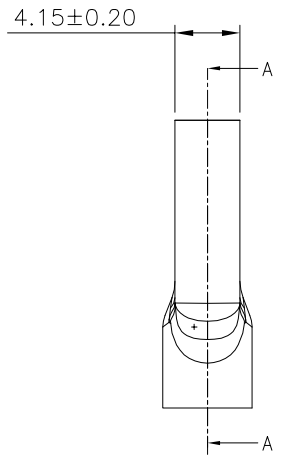
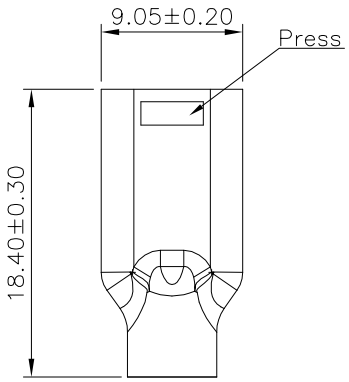
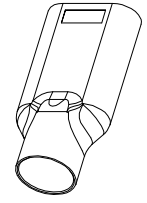
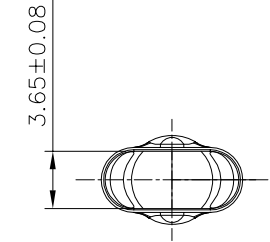
SHEET: 3/4

SCALE: 1:1 UNIT: mm

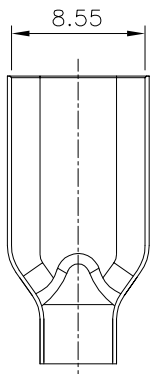
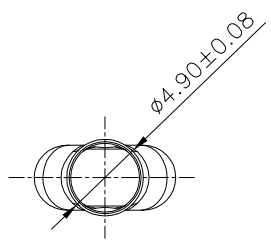
UNIT: mm

HF
Halogen Free

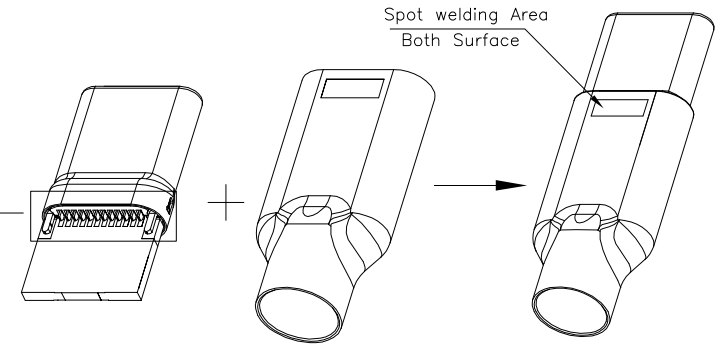
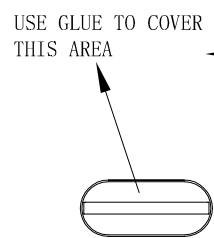
REV.	ECN NO.	LOCATION	DESCRIPTION	DATE	DESIGN
A			INITIAL RELEASE	2017.03.16	Liangkeyao
B		⑤	UPDATE CONTACT FIGURE	2017.06.08	Liangkeyao



ASSEMBLED CABLE SHELL DIM DRAWING
NOTE: CABLE SHELL USE FOR CUSTOMER ASSEMBLING



SECTION A-A
40-42501-003



CUSTOMERS TO USE DRAWING

P/N	ASSY PART	PLATING P/N	CARTON SPEC
2	40-42501-004	14-41018-17	NO LOGO
1	40-42501-003		DEREN LOGO

DIM	TOL	DIM	TOL
x	±0.30	x	±2*
.x	±0.25	.x	±1*
.xx	±0.15		



DEREN
SHENZHEN DEREN ELECTRONIC CO., LTD

CUSTOMER DRAWING	DATE	TITLE:
DESIGN: Liangkeyao	2017.06.07	UC PLUG WITH PCB(DH Coaxial WITH IC VL151-W & C 100nF)
CHECK:		P/N: 40-42415-C24DxTxxxHF
APPROVAL:		SHEET: 4/4
		SCALE: 1:1 UNIT: mm

REV.	B
DRAW NO.	SC1701692