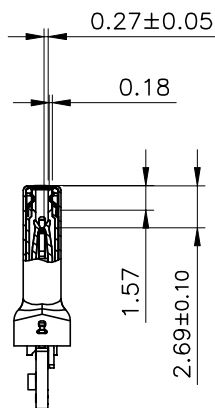
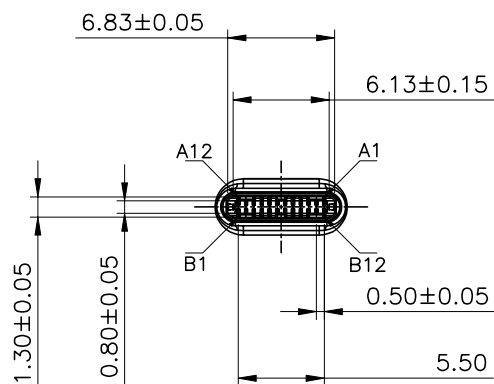
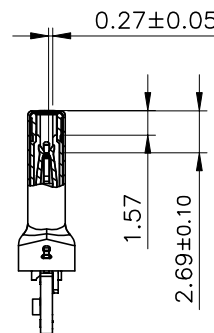


**HF**  
Halogen Free

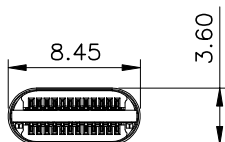
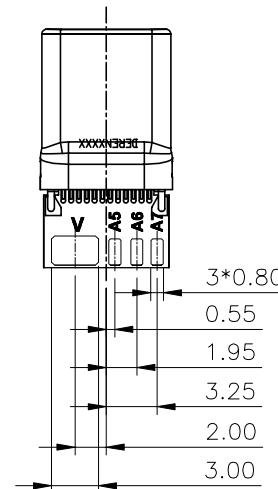
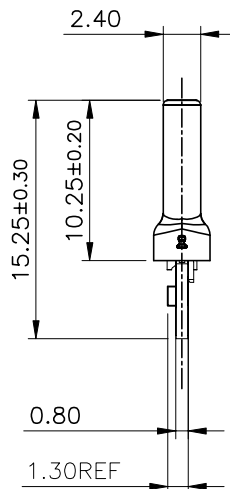
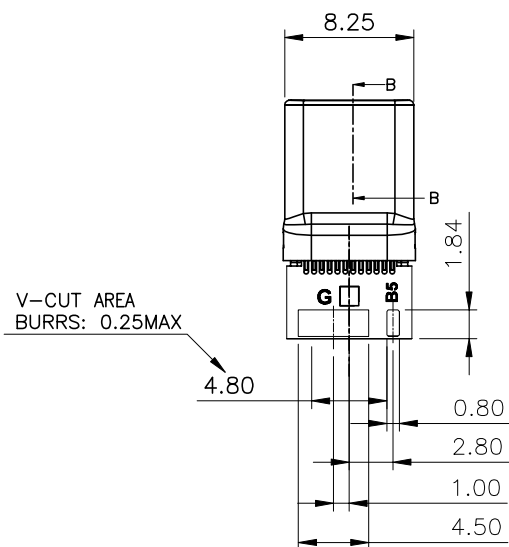
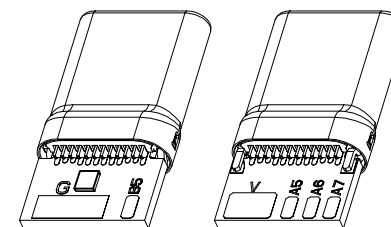
REV.	ECN NO.	LOCATION	DESCRIPTION	DATE	DESIGN
A			INITIAL RELEASE	2017.03.15	Yanghao
B	EC-C200879	Ⓟ	VL151变更为VL152	2020.03.25	Liangkeyao



SECTION B-B  
SCALE 1:1  
(WITH EMI SPRING)



SECTION B-B  
SCALE 1:1  
(WITHOUT EMI SPRING)



DIM	TOL	DIM	TOL
x.	±0.30	x.	±2°
.x	±0.25	.x	±1°
.xx	±0.15		



**DEREN**  
SHENZHEN DEREN ELECTRONIC CO., LTD

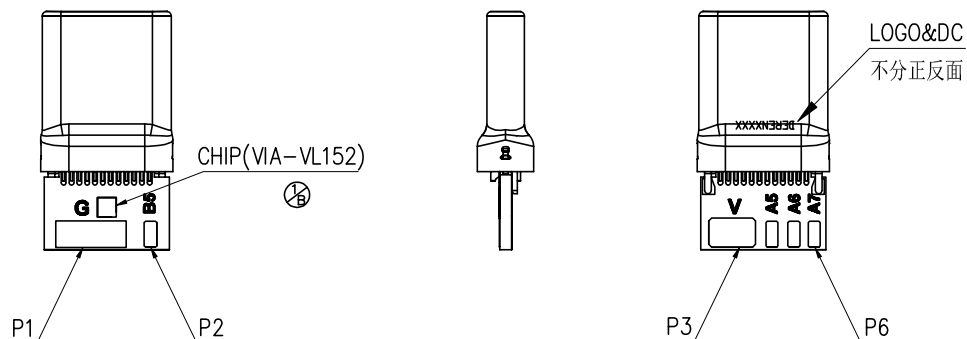
DRAW NO.  
SC1701690

CUSTOMER DRAWING	DATE
DESIGN: Liangkeyao	2020.03.25
CHECK:	
APPROVAL:	

TITLE: UC PLUG WITH PCB (C2C WITH E-MARK VL152) ASSY	
P/N: 40-42415-C24J******	
SHEET: 1/3	Ⓟ
SCALE: 1:1	UNIT: mm

**HF**  
Halogen Free

REV.	ECN NO.	LOCATION	DESCRIPTION	DATE	DESIGN
A			INITIAL RELEASE	2017.03.15	Yanghao
B	EC-C200879	Ⓟ	<b>VL151</b> 变更为 <b>VL152</b>	2020.03.25	Liangkeyao



CONTACT FIGURE:

CONN PIN	PCB PIN
A1,A12,B1,B12, SHELL	P1
B5	
B4,B9,A4,A9	P3
A5	P4
A6	P5
A7	P6

PINS DESCRIPTION  
PLUG FRONT VIEW

A12	A11	A10	A9	A8	A7	A6	A5	A4	A3	A2	A1
GND	RX2+	RX2-	VBus	SBU1	D-	D+	CC	VBus	TX1-	TX1+	GND
GND	TX2+	TX2-	VBus	Vconn			SBU2	VBus	RX1-	RX1+	GND
B1	B2	B3	B4	B5	B6	B7	B8	B9	B10	B11	B12

TIN THICK REQUEST:

1. CABLE PADS(P1,P3) WITH TIN THICKNESS: 0.15~0.25mm
2. OTHER CABLE PADS WITH TIN THICKNESS: 0.10~0.20mm

DIM	TOL	DIM	TOL
x.	±0.30	x.	±2°
.x	±0.25	.x	±1°
.xx	±0.15		



**DEREN**  
SHENZHEN DEREN ELECTRONIC CO., LTD

CUSTOMER DRAWING		DATE	TITLE: UC PLUG WITH PCB (C2C WITH E-MARK VL152) ASSY	
DESIGN:	Liangkeyao	2020.03.25	P/N: 40-42415-C24J******	
CHECK:			SHEET: 2/3	Ⓟ
APPROVAL:			SCALE: 1:1	UNIT: mm

DRAW NO.  
SC1701690

REV. B

**HF**  
Halogen Free

REV.	ECN NO.	LOCATION	DESCRIPTION	DATE	DESIGN
A			INITIAL RELEASE	2017.03.15	Yanghao
B	EC-C200879	Ⓟ	VL151变更为VL152	2020.03.25	Liangkeyao

NOTES:

1. MATERIAL

- 1.1 HSG: HIGH TEMPERATURE THERMOPLASTIC UL94V-0; COLOR: SEE PART NUMBER INFORMATION.
- 1.2 CONTACT: COPPER ALLOY
- 1.3 LATCH: STAINLESS STEEL
- 1.4 EMI SPRING: STAINLESS STEEL
- 1.5 SHELL: STEEL
- 1.6 PCB: FR4 4 LAYERS; COLOR: GRREN

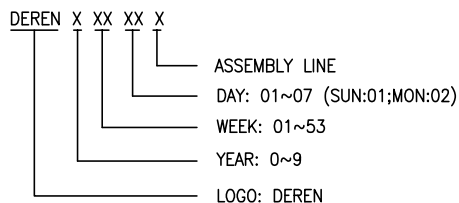
2. FINISH:

- 2.1 CONTACT:
  - Au MIN. PLATING SEE PART NUMBER INFORMATION, Au PLATING ON CONTACT AREA.
  - 100u" [2.54um] MIN. TIN PLATING ON SOLDER TAIL AREA.
  - 80u" [2.03um] MIN. NICKEL UNDERPLATING ON ALLOVER AREA.
- 2.2 SHELL
  - SEE PART NUMBER INFORMATION.
- 2.3 LATCH:
  - 100u" [2.54um] MIN. TIN PLATING ON SOLDER TAIL AREA.
  - 50u" [1.27um] MIN. NICKEL UNDERPLATING ON ALLOVER AREA.

3. MATING FORCE: 5~20N;

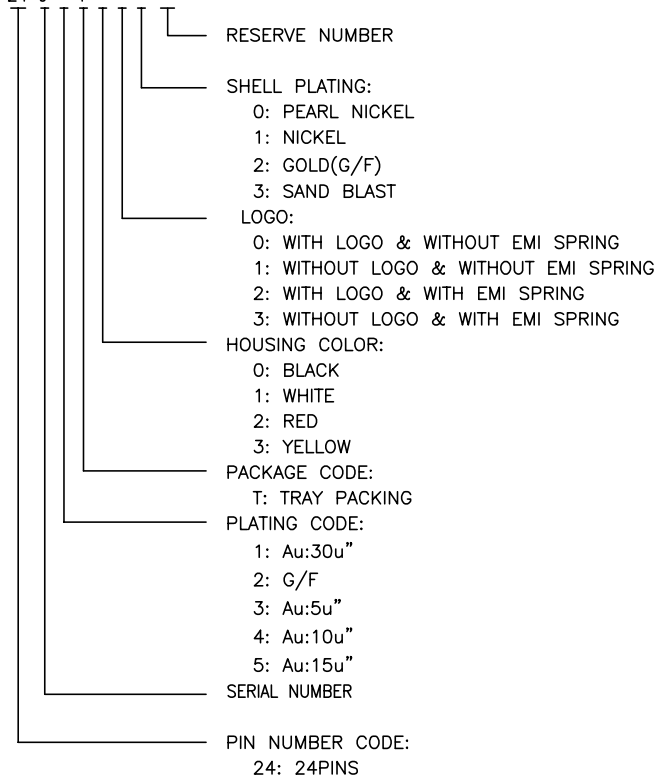
UNMATING FORCE: 8~20N(0~1000 CYCLES)AND 6~20N AFTER 10000 CYCLES

- 4. DIELECTRIC WITHSTANDING VOLTAGE: 300V AC/MINUTE FOR PER PIN
- 5. INSULATION RESISTANCE: 100M OHM BETWEEN ADJACENT CONTACTS AT 300V DC
- 6. TEMPERATURE RISING: 5A 30t FOR VBus AND GND PIN
- 7. DATE CODE INFORMATION:



13. PART NUMBER INFORMATION:

40-42415-C 24 J \* T \* \* \* \*\*



**DEREN**  
SHENZHEN DEREN ELECTRONIC CO., LTD

DIM	TOL	DIM	TOL
x.	±0.30	x.	±2°
.x	±0.25	.x	±1°
.xx	±0.15		

DRAW NO.	SC1701690
REV.	B

CUSTOMER DRAWING	DESIGN:	Liangkeyao	DATE	2020.03.25
CHECK:				
APPROVAL:				

TITLE: UC PLUG WITH PCB (C2C WITH E-MARK VL152) ASSY			
P/N: 40-42415-C24J******			
SHEET:	3/3		
SCALE:	1:1	UNIT:	mm