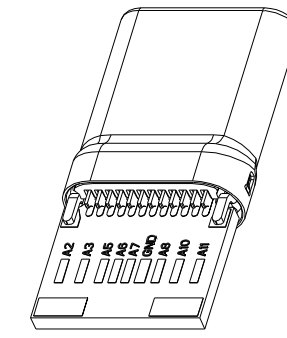
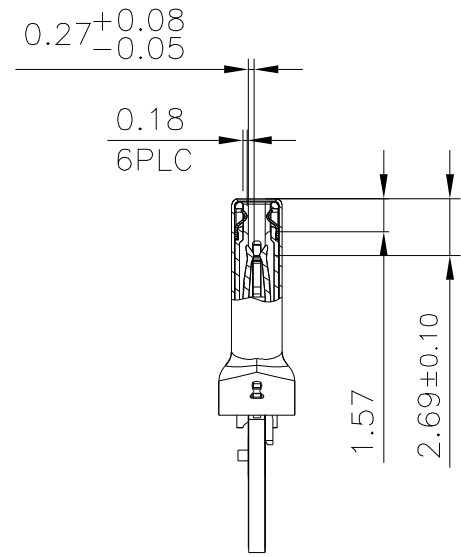
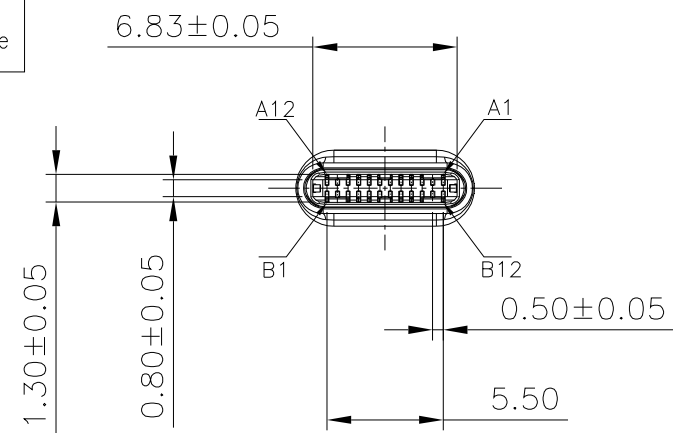
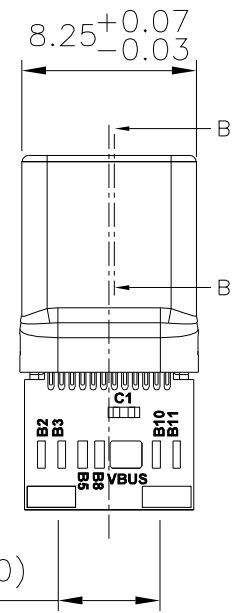


HF
Halogen Free

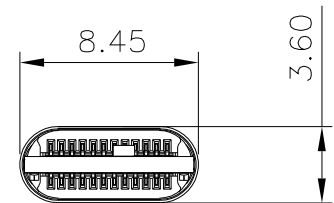
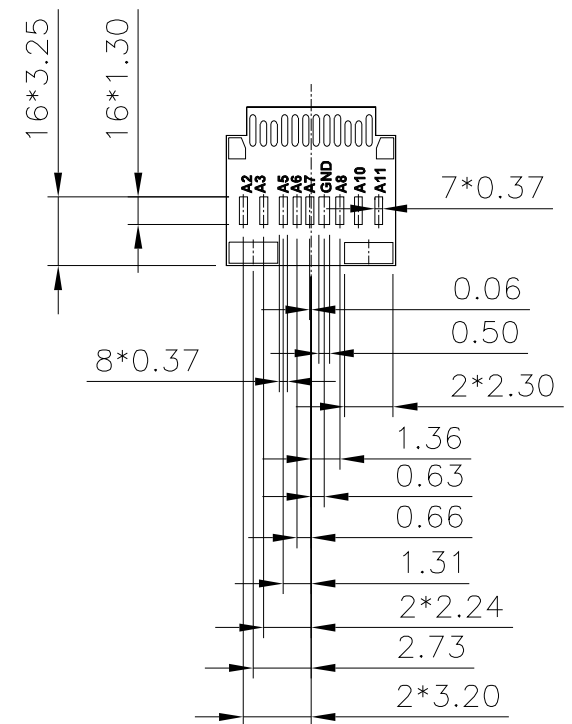
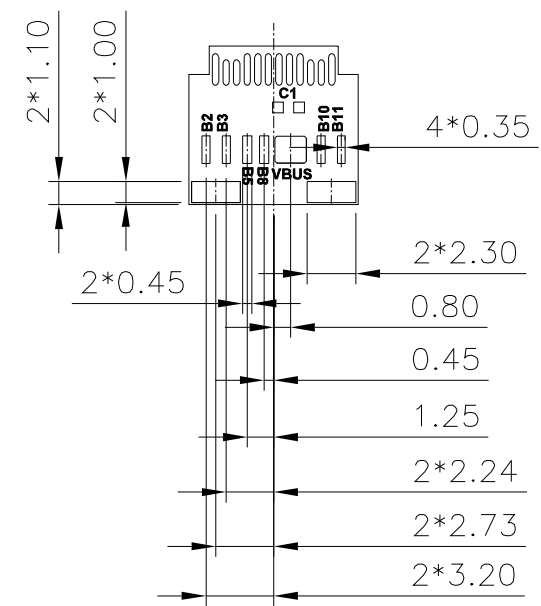
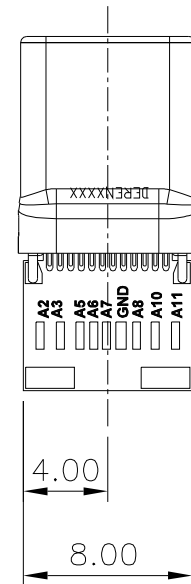
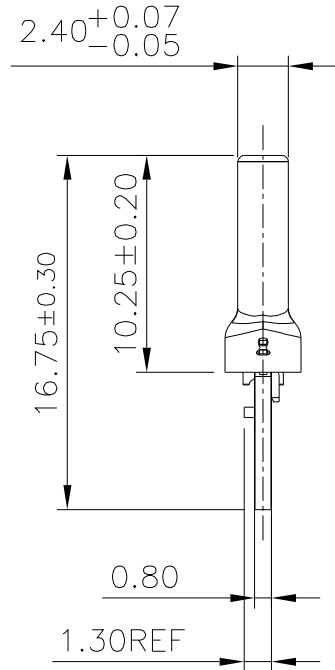
REV.	ECN NO.	LOCATION	DESCRIPTION	DATE	DESIGN
X1			INITIAL RELEASE	2021.04.20	Liangkeyao



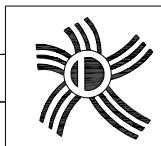
SECTION B-B
SCALE 1:1



V-CUT AREA
BURRS: 0.25MAX



DIM	TOL	DIM	TOL
x.	±0.30	x.	±2'
.x	±0.25	.x	±1'
.xx	±0.15		



DEREN
SHENZHEN DEREN ELECTRONIC

DRAW NO.

CUSTOMER DRAWING	DATE
DESIGN: Liangkeyao	2021.04.20
CHECK:	

TITLE:	UC PLUG WITH PCB (Coaxial WITH 100nF) ASSY	
P/N:	40-42415-C24SxTxxxxx	
SHEET:	1/3	
SCALE:	1:1	UNIT: mm

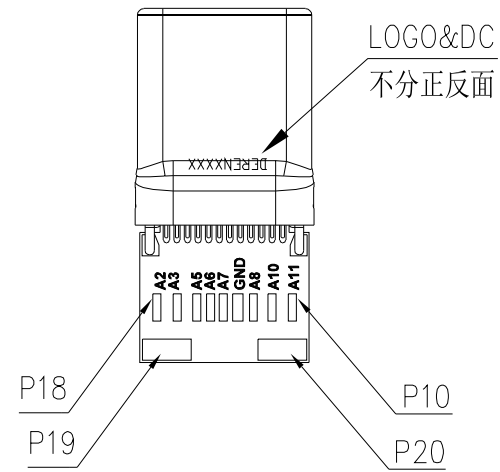
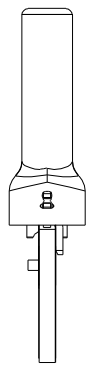
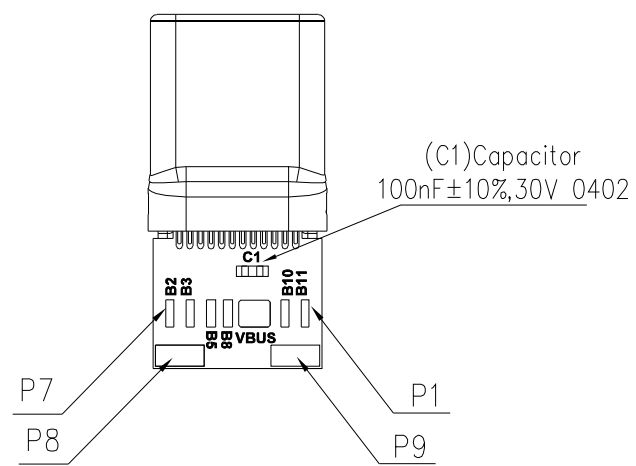
REV. X1

APPROVAL:

SCALE: 1:1 UNIT: mm

HF
Halogen Free

REV.	ECN NO.	LOCATION	DESCRIPTION	DATE	DESIGN
X1			INITIAL RELEASE	2021.04.20	Liangkeyao



CONTACT FIGURE:

CONN PIN	PCB PIN	PCB PIN	CONN PIN
B11	P1	P10	A11
B10	P2	P11	A10
B4,B9,A4,A9	P3	P13	A8
B8	P4	P14	A7
B5	P5	P15	A6
B3	P6	P16	A5
B2	P7	P17	A3
A1,A12,B1,B12, SHELL	P8,P9,P12 ,P19,P20	P18	A2

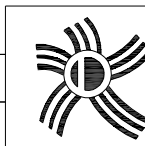
PINS DESCRIPTION
PLUG FRONT VIEW

A12	A11	A10	A9	A8	A7	A6	A5	A4	A3	A2	A1
GND	RX2+	RX2-	VBus	SBU1	D-	D+	CC	VBus	TX1-	TX1+	GND
GND	TX2+	TX2-	VBus	Vconn			SBU2	VBus	RX1-	RX1+	GND
B1	B2	B3	B4	B5	B6	B7	B8	B9	B10	B11	B12

TIN THICK REQUEST:

- 1、CABLE PADS(P3,P8,P9,P19,&P20) WITH TIN THICKNESS: 0.20~0.30mm
- 2、CABLE PADS OTHER PAD WITH TIN THICKNESS: 0.15~0.25mm

DIM	TOL	DIM	TOL
x.	±0.30	x.	±2'
.x	±0.25	.x	±1'
.xx	±0.15		



DEREN

SHENZHEN DEREN ELECTRONIC

CUSTOMER DRAWING	DATE	TITLE: UC PLUG WITH PCB (Coaxial WITH 100nF) ASSY
DESIGN: Liangkeyao	2021.04.20	P/N: 40-42415-C24SxTxxxxx
CHECK:		SHEET: 2/3
APPROVAL:		SCALE: 1:1 UNIT: mm

DRAW NO.

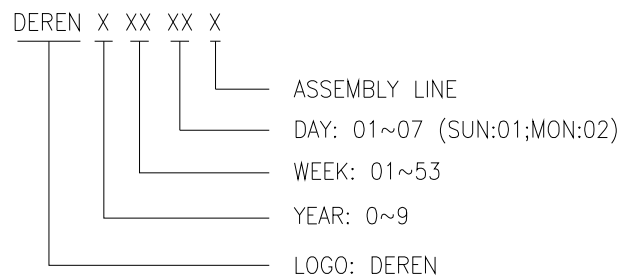
REV. X1



REV.	ECN NO.	LOCATION	DESCRIPTION	DATE	DESIGN
X1			INITIAL RELEASE	2021.04.20	Liangkeyao

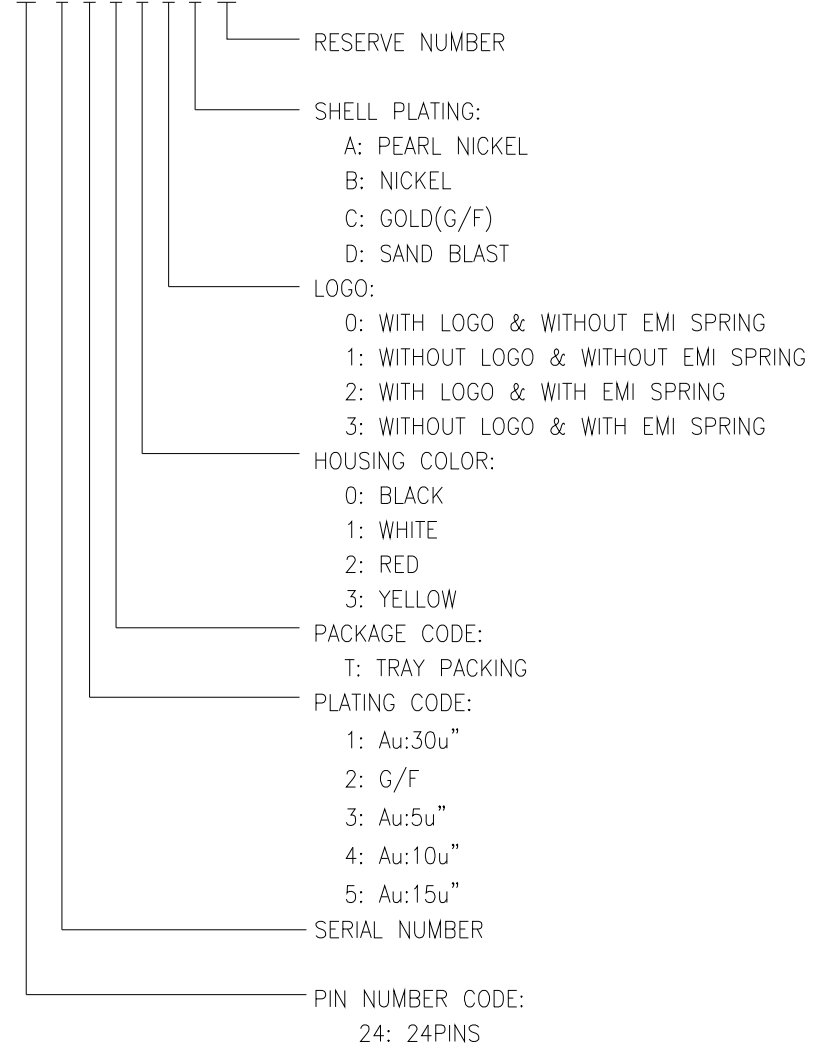
NOTES:

1. MATERIAL
 - 1.1 HSG: HIGH TEMPERATURE THERMOPLASTIC UL94V-0; COLOR: SEE PART NUMBER INFORMATION
 - 1.2 CONTACT: COPPER ALLOY
 - 1.3 LATCH: STAINLESS STEEL
 - 1.4 EMI SPRING: STAINLESS STEEL
 - 1.5 SHELL: STEEL
 - 1.6 PCB: FR4 6 LAYERS, COLOR: GREEN
2. FINISH:
 - 2.1 CONTACT:
 - SEE PART NUMBER INFORMATION MIN, Au PLATING ON CONTACT AREA.
 - 100u" [2.54um] MIN. TIN PLATING ON SOLDER TAIL AREA.
 - 50u" [1.27um] MIN. NICKEL UNDERPLATING ON ALLOVER AREA.
 - 2.2 SHELL
 - SEE PART NUMBER INFORMATION
 - 2.3 LATCH:
 - 100u" [2.54um] MIN. TIN PLATING ON SOLDER TAIL AREA.
 - 50u" [1.27um] MIN. NICKEL UNDERPLATING ON ALLOVER AREA.
3. DIFF IMPEDANCE FOR SIGNAL PINS: 85ohm(+/-9ohm)
4. MATING FORCE: 5~20N;
 - UNMATING FORCE: 8~20N (0~1000 CYCLES) AND 6~20N AFTER 10000 CYCLES
5. DIELECTRIC WITHSTANDING VOLTAGE: 300V AC/MINUTE FOR PER PIN
6. INSULATION RESISTANCE: 100M OHM BETWEEN ADJACENT CONTACTS AT 300V DC
7. TEMPERATURE RISING: 5A 30°C FOR VBus AND GND PIN
8. DATE CODE INFORMATION:



9. PART NUMBER INFORMATION:

40-42415-C 24 S * T * * * **



DIM	TOL	DIM	TOL
x.	±0.30	x.	±2'
.x	±0.25	.x	±1'
.xx	±0.15		

DEREN
SHENZHEN DEREN ELECTRONIC

CUSTOMER DRAWING	DATE	TITLE: UC PLUG WITH PCB (Coaxial WITH 100nF) ASSY
DESIGN: Liangkeyao	2021.04.20	P/N: 40-42415-C24SxTxxxxx
CHECK:		SHEET: 3/3
APPROVAL:		SCALE: 1:1 UNIT: mm

REV.	X1
------	----