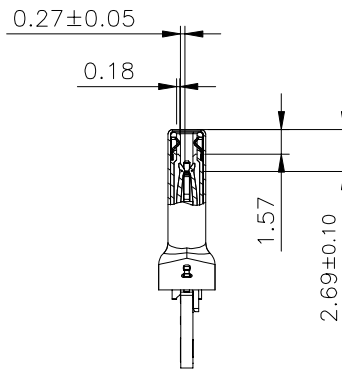
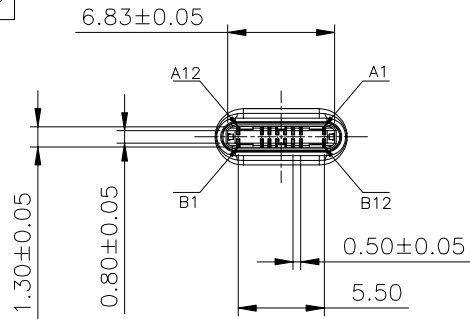


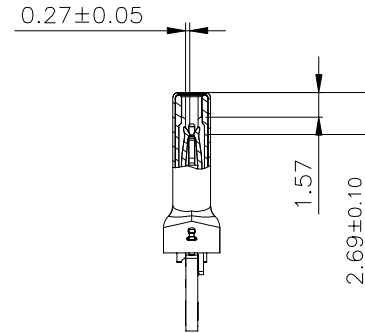
HF

Halogen Free

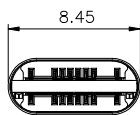
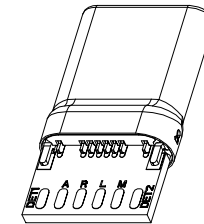
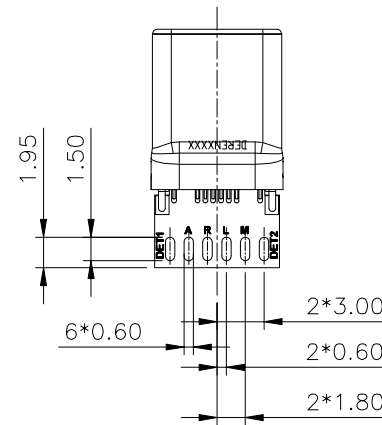
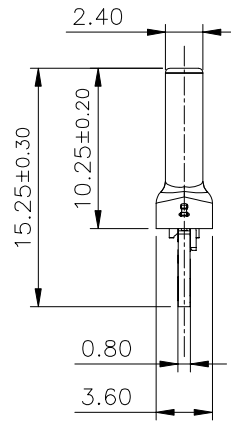
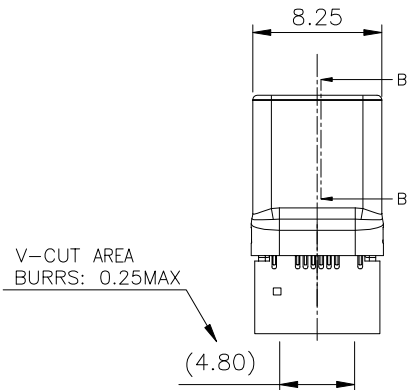
REV.	ECN NO.	LOCATION	DESCRIPTION	DATE	DESIGN
X1			INITIAL RELEASE	2021.07.15	Liangkeyao



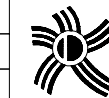
SECTION B-B
SCALE 1:1
(WITH EMI SPRING)



SECTION B-B
SCALE 1:1
(WITHOUT EMI SPRING)



DIM	TOL	DIM	TOL
x.	±0.30	x.	±2*
.x	±0.25	.x	±1*
.xx	±0.15		



DEREN
SHENZHEN DEREN ELECTRONIC CO., LTD

CUSTOMER DRAWING	DATE
DESIGN: Liangkeyao	2021.07.15
CHECK:	
APPROVAL:	

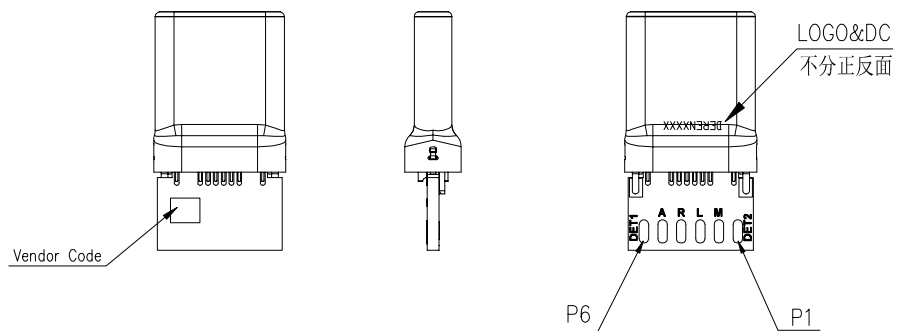
TITLE: UC PLUG WITH PCB(MI C TO Audio jack W=8.0mm) ASSY		
P/N: 40-42415-C164XTxxxx		
SHEET: 1/3		
SCALE: 1:1	UNIT: mm	

DRAW NO.

REV. X1

HF
Halogen Free

REV.	ECN NO.	LOCATION	DESCRIPTION	DATE	DESIGN
X1			INITIAL RELEASE	2021.07.15	Liangkeyao



CONTACT FIGURE:

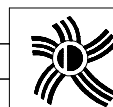
CONN PIN	PCB PIN
A1,A12,B1,B12	P1
A8	P2
A7,B7	P3
A6,B6	P4
B8	P5
A5,B5	P6

PINS DESCRIPTION
PLUG FRONT VIEW

A12	A11	A10	A9	A8	A7	A6	A5	A4	A3	A2	A1
GND	/	/	/	Mic	Left	Right	CC	/	/	/	GND
GND	/	/	/	Vconn	Right	Left	Mic	/	/	/	GND
B1	B2	B3	B4	B5	B6	B7	B8	B9	B10	B11	B12

TIN THICK REQUEST:
ALL PADS WITH TIN THICKNESS: 0.10~0.30mm

DIM	TOL	DIM	TOL
x.	±0.30	x.	±2°
.x	±0.25	.x	±1°
.xx	±0.15		



DEREN
SHENZHEN DEREN ELECTRONIC CO., LTD

CUSTOMER DRAWING	DATE	TITLE: UC PLUG WITH PCB(MI C TO Audio jack W=8.0mm) ASSY	
DESIGN: Liangkeyao	2021.07.15	P/N: 40-42415-C164xTxxxx	
CHECK:		SHEET: 2/3	
APPROVAL:		SCALE: 1:1	UNIT: mm

DRAW NO.

REV. X1

HF

Halogen Free

REV.	ECN NO.	LOCATION	DESCRIPTION	DATE	DESIGN
X1			INITIAL RELEASE	2021.07.15	Liangkeyao

NOTES:

1.MATERIAL

- 1.1 HSG: HIGH TEMPERATURE THERMOPLASTIC UL94V-0; COLOR: SEE PART NUMBER INFORMATION.
- 1.2 CONTACT: COPPER ALLOY
- 1.3 LATCH: STAINLESS STEEL
- 1.4 EMI SPRING: STAINLESS STEEL
- 1.5 SHELL: STEEL
- 1.6 PCB: FR4 2 LAYERS

2. FINISH:

- 2.1 CONTACT:
 - Au MIN. PLATING SEE PART NUMBER INFORMATION, Au PLATING ON CONTACT AREA.
 - 100u" [2.54um] MIN. TIN PLATING ON SOLDER TAIL AREA.
 - 80u" [2.03um] MIN. NICKEL UNDERPLATING ON ALLOVER AREA.

2.2 SHELL

SEE PART NUMBER INFORMATION.

2.3 LATCH:

- 100u" [2.54um] MIN. TIN PLATING ON SOLDER TAIL AREA.
- 50u" [1.27um] MIN. NICKEL UNDERPLATING ON ALLOVER AREA.

3. MATING FORCE: 5~20N; UNMATING FORCE: 8~20N(0~1000 CYCLES)AND 6~20N AFTER 10000 CYCLES

4. DIELECTRIC WITHSTANDING VOLTAGE: 300V AC/MINUTE FOR PER PIN

5. INSULATION RESISTANCE: 100M OHM BETWEEN ADJACENT CONTACTS AT 300V DC

6. TEMPERATURE RISING: 5A 30t FOR VBus AND GND PIN

7. DATE CODE INFORMATION:

DEREN X XX XX X

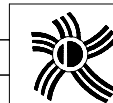
- ASSEMBLY LINE
- DAY: 01~07 (SUN:01;MON:02)
- WEEK: 01~53
- YEAR: 0~9
- LOGO: DEREN

8. PART NUMBER INFORMATION:

40-42415-C 16 4 * T * * * **

- RESERVE NUMBER
- SHELL PLATING:
 - A: PEARL NICKEL
 - B: NICKEL
 - C: GOLD(G/F)
 - D: SAND BLAST
- LOGO:
 - 0: WITH LOGO & WITHOUT EMI SPRING
 - 1: WITHOUT LOGO & WITHOUT EMI SPRING
 - 2: WITH LOGO & WITH EMI SPRING
 - 3: WITHOUT LOGO & WITH EMI SPRING
- HOUSING COLOR:
 - 0: BLACK
 - 1: WHITE
 - 2: RED
 - 3: YELLOW
- PACKAGE CODE:
 - T: TRAY PACKING
- PLATING CODE:
 - 1: Au:30u"
 - 2: G/F
 - 3: Au:5u"
 - 4: Au:10u"
 - 5: Au:15u"
- SERIAL NUMBER
- PIN NUMBER CODE:
 - 16: 16PINS

DIM	TOL	DIM	TOL
x.	±0.30	x.	±2°
.x	±0.25	.x	±1°
.xx	±0.15		



DEREN
SHENZHEN DEREN ELECTRONIC CO., LTD

CUSTOMER DRAWING	DATE
DESIGN: Liangkeyao	2021.07.15
CHECK:	
APPROVAL:	

TITLE: UC PLUG WITH PCB(MI C TO Audio jack W=8.0mm) ASSY		
P/N: 40-42415-C164xTxxxx	SHEET: 3/3	
SCALE: 1:1	UNIT: mm	

REV.	X1