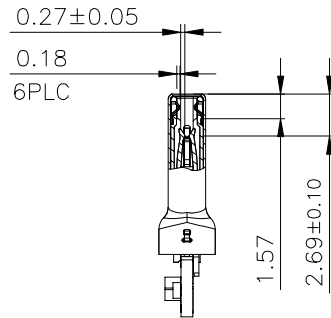
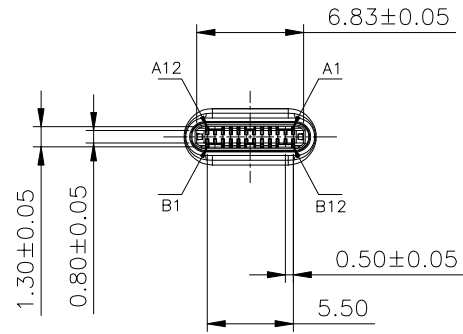


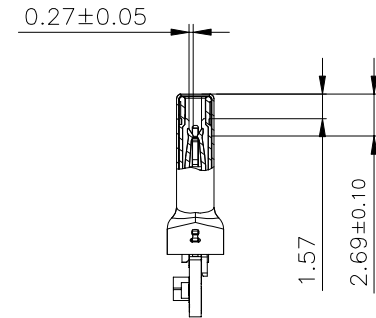
# HF

Halogen Free

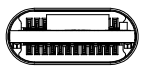
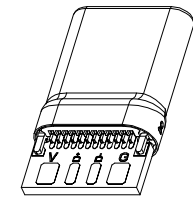
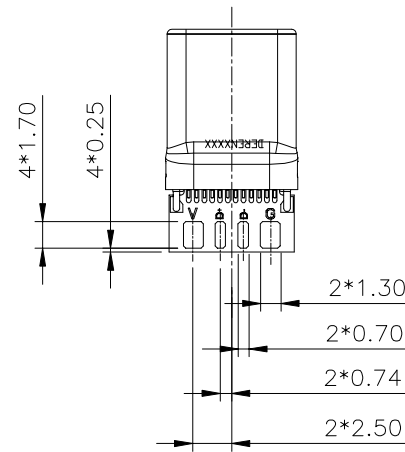
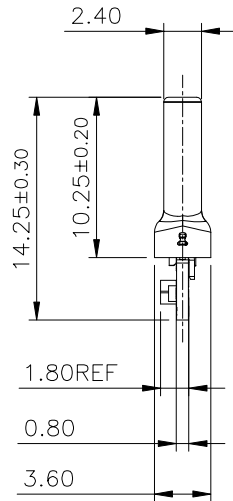
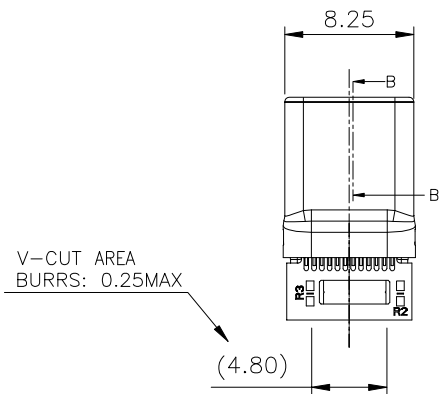
REV.	ECN NO.	LOCATION	DESCRIPTION	DATE	DESIGN
A			INITIAL RELEASE	2017.02.16	Liangkeyao



SECTION B-B  
SCALE 1:1  
(WITH EMI SPRING)



SECTION B-B  
SCALE 1:1  
(WITHOUT EMI SPRING)



DIM	TOL	DIM	TOL
x.	±0.30	x.	±2°
.x	±0.25	.x	±1°
.xx	±0.15		



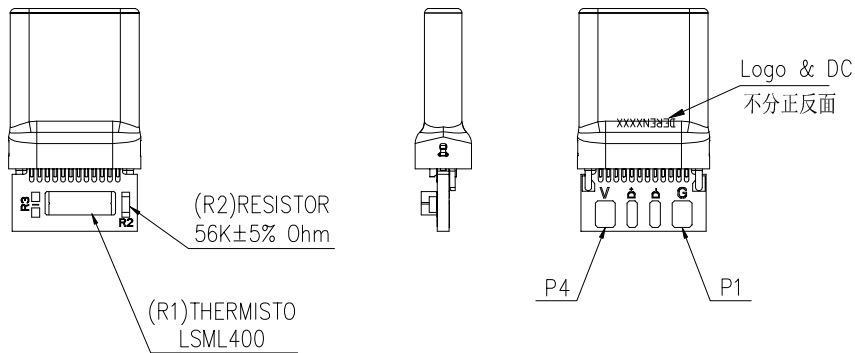
**DEREN**  
SHENZHEN DEREN ELECTRONIC CO., LTD

CUSTOMER DRAWING	DATE	TITLE: UC PLUG WITH PCB(CU2.0 WITH PTC W=8.0mm) ASSY
DESIGN: Liangkeyao	2017.02.16	P/N: 40-42415-C241xTxxxx
CHECK:		SHEET: 1/3
APPROVAL:		SCALE: 1:1 UNIT: mm

DRAW NO. \*\*\*  
REV. X1

**HF**  
Halogen Free

REV.	ECN NO.	LOCATION	DESCRIPTION	DATE	DESIGN
A			INITIAL RELEASE	2017.02.16	Liangkeyao



CONTACT FIGURE:

CONN PIN	PCB PIN
A5	
A1,A12,B1,B12,SHELL	P1
A7	P2
A6	P3
A4,A9,B4,B9	P4

R2 is connected to A5 and A6. R1:PTC is connected to A4,A9,B4,B9.

TIN THICK REQUEST:  
ALL PADS WITH TIN THICKNESS: 0.15~0.35mm

PINS DESCRIPTION  
PLUG FRONT VIEW

A12	A11	A10	A9	A8	A7	A6	A5	A4	A3	A2	A1
GND	RX2+	RX2-	VBus	SBU1	D-	D+	CC	VBus	TX1-	TX1+	GND
GND	TX2+	TX2-	VBus	Vconn			SBU2	VBus	RX1-	RX1+	GND
B1	B2	B3	B4	B5	B6	B7	B8	B9	B10	B11	B12

DIM	TOL	DIM	TOL
x	±0.30	x	±2°
.x	±0.25	.x	±1°
.xx	±0.15		



**DEREN**  
SHENZHEN DEREN ELECTRONIC CO., LTD

CUSTOMER	DRAWING	DATE	TITLE:
DESIGN:	Liangkeyao	2017.02.16	UC PLUG WITH PCB(CU2.0 WITH PTC W=8.0mm) ASSY
CHECK:			P/N: 40-42415-C241xTxxxx
APPROVAL:			SHEET: 2/3
			SCALE: 1:1 UNIT: mm

DRAW NO. \*\*\*

REV. X1

# HF

Halogen Free

REV.	ECN NO.	LOCATION	DESCRIPTION	DATE	DESIGN
A			INITIAL RELEASE	2017.02.16	Liangkeyao

NOTES:

1.MATERIAL

- 1.1 HSG: HIGH TEMPERATURE THERMOPLASTIC UL94V-0; COLOR: SEE PART NUMBER INFORMATION
- 1.2 CONTACT: COPPER ALLOY
- 1.3 LATCH: STAINLESS STEEL
- 1.4 EMI SPRING: STAINLESS STEEL
- 1.5 SHELL: STEEL
- 1.6 PCB: FR4 2 LAYERS; COLOR: GREEN

2. FINISH:

- 2.1 CONTACT:  
SEE PART NUMBER INFORMATION MIN, Au PLATING ON CONTACT AREA.  
100u" [2.54um] MIN. TIN PLATING ON SOLDER TAIL AREA.  
80u" [2.03um] MIN. NICKEL UNDERPLATING ON ALLOVER AREA.
- 2.2 SHELL  
SEE PART NUMBER INFORMATION
- 2.3 LATCH:  
100u" [2.54um] MIN. TIN PLATING ON SOLDER TAIL AREA.  
50u" [1.27um] MIN. NICKEL UNDERPLATING ON ALLOVER AREA.

3. MATING FORCE: 5~20N;

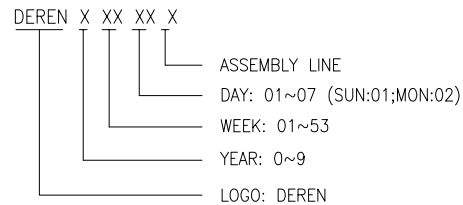
UNMATING FORCE: 8~20N (0~1000 CYCLES) AND 6~20N AFTER 10000 CYCLES.

4. DIELECTRIC WITHSTANDING VOLTAGE: 300V AC/MINUTE FOR PER PIN.

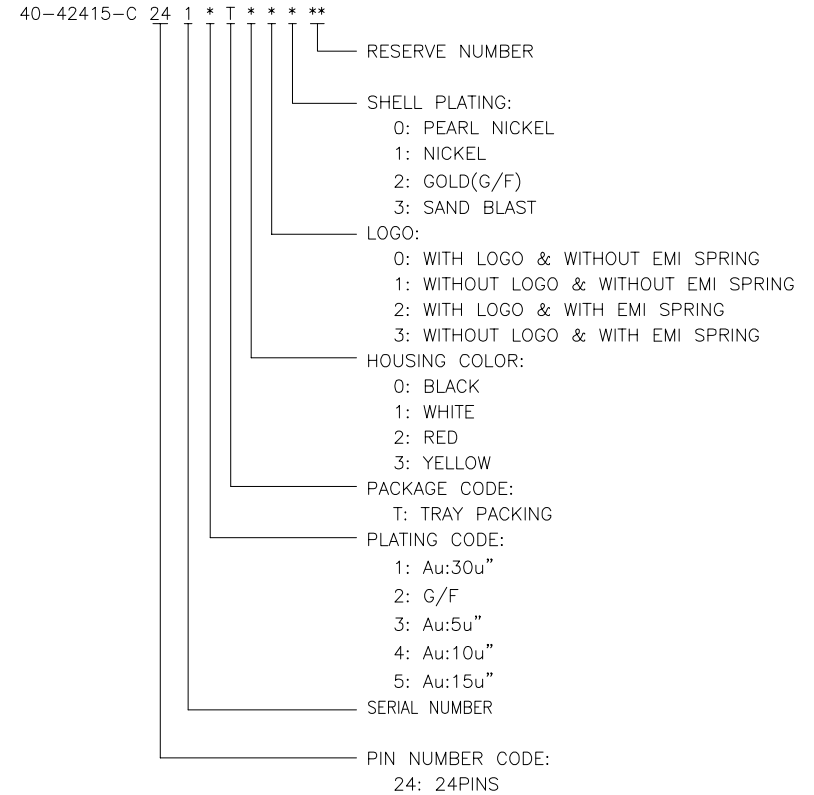
5. INSULATION RESISTANCE: 100M OHM BETWEEN ADJACENT CONTACTS AT 300V DC .

6. TEMPERATURE RISING: 5A 30°C FOR VBus AND GND PIN.

7. DATE CODE INFORMATION:



8. PART NUMBER INFORMATION:



DIM	TOL	DIM	TOL
x.	±0.30	x.	±2°
.x	±0.25	.x	±1°
.xx	±0.15		



**DEREN**  
SHENZHEN DEREN ELECTRONIC CO., LTD

CUSTOMER DRAWING	DATE	TITLE: UC PLUG WITH PCB(CU2.0 WITH PTC W=8.0mm) ASSY
DESIGN: Liangkeyao	2017.02.16	P/N: 40-42415-C241xTxxxx
CHECK:		SHEET: 3/3
APPROVAL:		SCALE: 1:1 UNIT: mm

DRAW NO.	***
REV.	X1