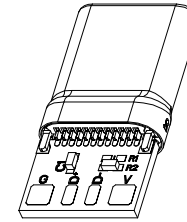
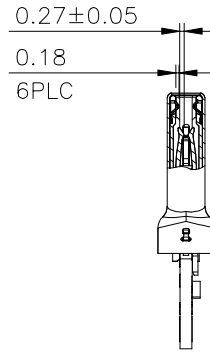
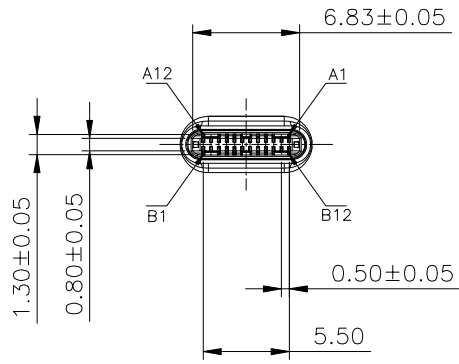


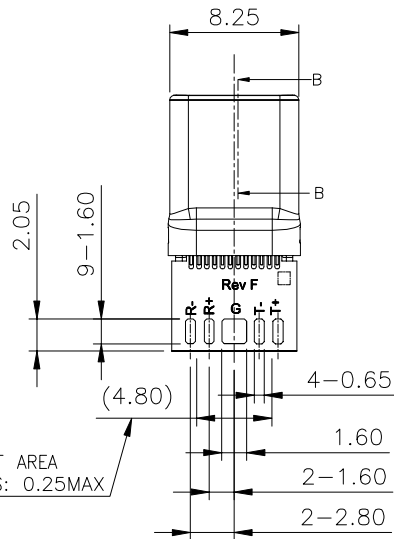
HF

Halogen Free

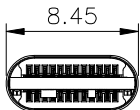
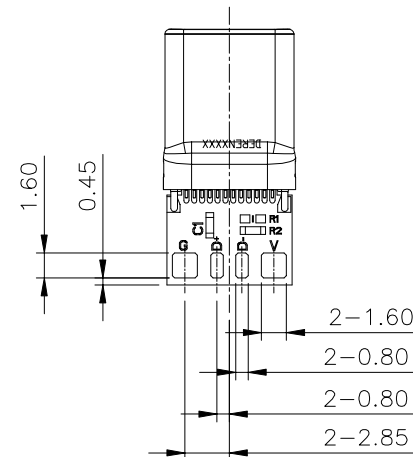
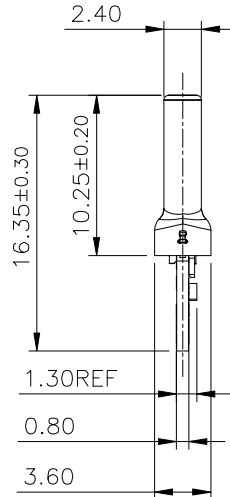
REV.	ECN NO.	LOCATION	DESCRIPTION	DATE	DESIGN
X1			INITIAL RELEASE	2017.02.16	Liangkeyao



SECTION B-B
SCALE 1:1



V-CUT AREA
BURRS: 0.25MAX



DEREN
SHENZHEN DEREN ELECTRONIC CO., LTD

DIM	TOL	DIM	TOL
x.	±0.30	x.	±2*
.x	±0.25	.x	±1*
.xx	±0.15		

DRAW NO.

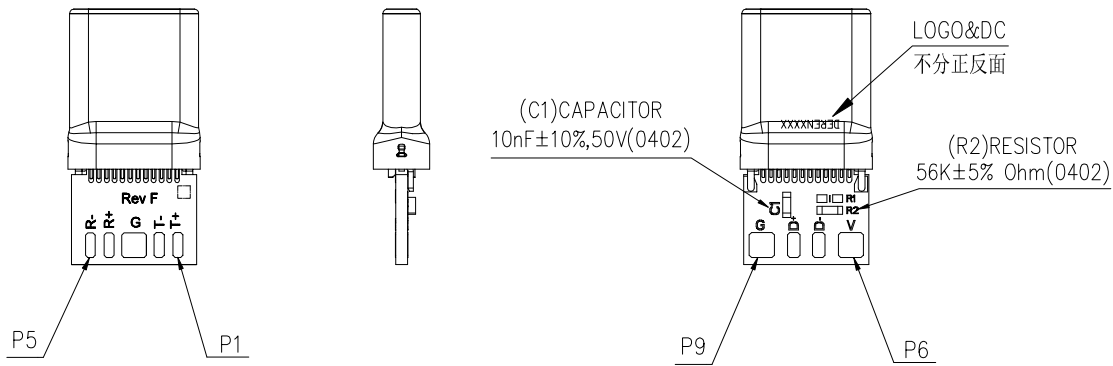
REV. X1

CUSTOMER DRAWING	DATE
DESIGN: Liangkeyao	2017.02.16
CHECK:	
APPROVAL:	

TITLE: UC PLUG WITH PCB(CU3.0 WITHOUT PTC 56K Ohm W=8.0mm) ASSY		
P/N: 40-42415-C244xTxxxx		
SHEET: 1/3		
SCALE: 1:1	UNIT: mm	

HF
Halogen Free

REV.	ECN NO.	LOCATION	DESCRIPTION	DATE	DESIGN
X1			INITIAL RELEASE	2017.02.16	Liangkeyao



CONTACT FIGURE:


CONN PIN	PCB PIN
A2	P1
A3	P2
A1,A12,B1,B12,SHELL	P3,P9
B11	P4
B10	P5
A4; A9,B4,B9	P6
A7	P7
A6	P8
A5	

TIN THICK REQUEST:
 1、CABLE PADS(P3,P6,P9) WITH TIN THICKNESS: 0.20~0.35mm
 2、THE OTHER CABLE PADS WITH TIN THICKNESS: 0.15~0.30mm

PINS DESCRIPTION
PLUG FRONT VIEW

A12	A11	A10	A9	A8	A7	A6	A5	A4	A3	A2	A1
GND	RX2+	RX2-	VBus	SBU1	D-	D+	CC	VBus	TX1-	TX1+	GND
GND	TX2+	TX2-	VBus	Vconn			SBU2	VBus	RX1-	RX1+	GND
B1	B2	B3	B4	B5	B6	B7	B8	B9	B10	B11	B12

DIM	TOL	DIM	TOL
x.	±0.30	x.	±2°
.x	±0.25	.x	±1°
.xx	±0.15		

	DEREN		SHENZHEN DEREN ELECTRONIC CO., LTD	
	CUSTOMER	DRAWING	DATE	TITLE: UC PLUG WITH PCB(CU3.0 WITHOUT PTC 56K Ohm W=8.0mm) ASSY P/N: 40-42415-C244xTxxxxx
	DESIGN:	Liangkeyao	2017.02.16	
	CHECK:			SHEET: 2/3
REV.	X1	APPROVAL:	SCALE: 1:1	UNIT: mm

HF

Halogen Free

REV.	ECN NO.	LOCATION	DESCRIPTION	DATE	DESIGN
X1			INITIAL RELEASE	2017.02.16	Liangkeyao

NOTES:

1.MATERIAL

- 1.1 HSG: HIGH TEMPERATURE THERMOPLASTIC UL94V-0; COLOR: SEE PART NUMBER INFORMATION
- 1.2 CONTACT: COPPER ALLOY
- 1.3 LATCH: STAINLESS STEEL
- 1.4 EMI SPRING: STAINLESS STEEL
- 1.5 SHELL: STEEL
- 1.6 PCB: FR4 4 LAYERS; COLOR: GREEN

2. FINISH:

- 2.1 CONTACT:
SEE PART NUMBER INFORMATION MIN, Au PLATING ON CONTACT AREA.
100u" [2.54um] MIN. TIN PLATING ON SOLDER TAIL AREA.
80u" [2.03um] MIN. NICKEL UNDERPLATING ON ALLOVER AREA.
- 2.2 SHELL
SEE PART NUMBER INFORMATION
- 2.3 LATCH:
100u" [2.54um] MIN. TIN PLATING ON SOLDER TAIL AREA.
50u" [1.27um] MIN. NICKEL UNDERPLATING ON ALLOVER AREA.

3. DIFF IMPEDANCE FOR SIGNAL PINS: 85ohm(+/-9ohm)

4. MATING FORCE: 5~20N;

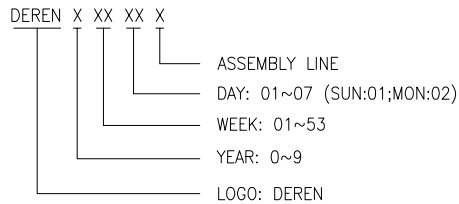
UNMATING FORCE: 8~20N (0~1000 CYCLES) AND 6~20N AFTER 10000 CYCLES

5. DIELECTRIC WITHSTANDING VOLTAGE: 300V AC/MINUTE FOR PER PIN

6. INSULATION RESISTANCE: 100M OHM BETWEEN ADJACENT CONTACTS AT 300V DC

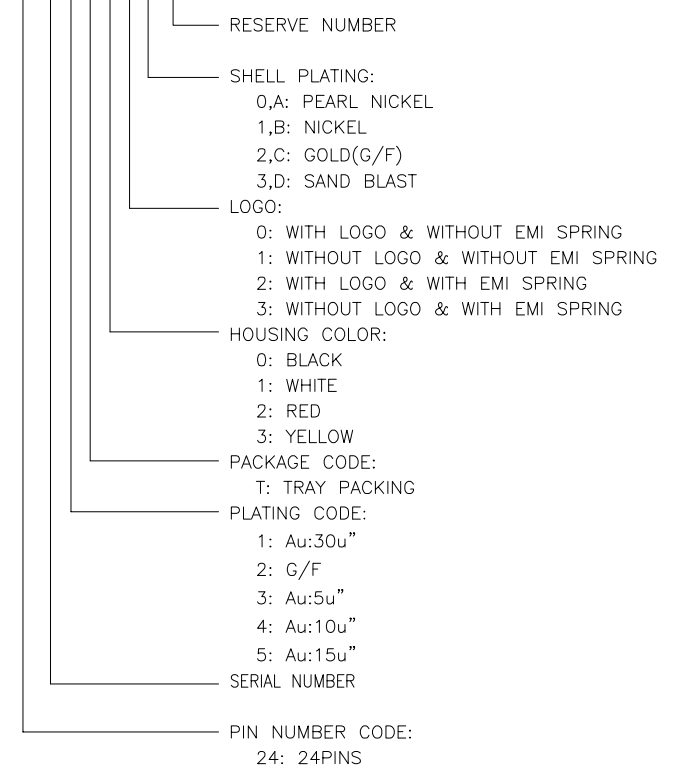
7. TEMPERATURE RISING: 5A 30°C FOR VBus AND GND PIN

8. DATE CODE INFORMATION:



9. PART NUMBER INFORMATION:

40-42415-C 24 4 * T * * * *



DEREN
SHENZHEN DEREN ELECTRONIC CO., LTD

DIM	TOL	DIM	TOL
x.	±0.30	x.	±2°
.x	±0.25	.x	±1°
.xx	±0.15		

DRAW NO.	***
REV.	X1

CUSTOMER DRAWING	DESIGN:	DATE
	Liangkeyao	2017.02.16
CHECK:	APPROVAL:	

TITLE: UC PLUG WITH PCB(CU3.0 WITHOUT PTC 56K Ohm W=8.0mm) ASSY		
P/N: 40-42415-C244xTxxxxx		
SHEET:	3/3	
SCALE:	1:1	UNIT: mm