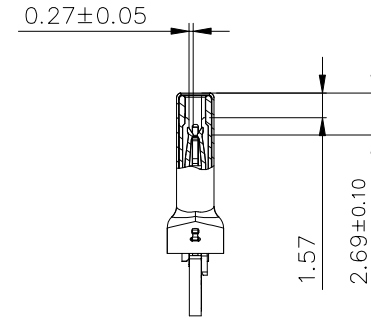
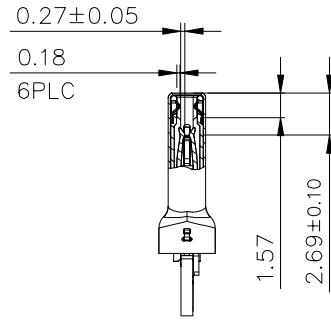
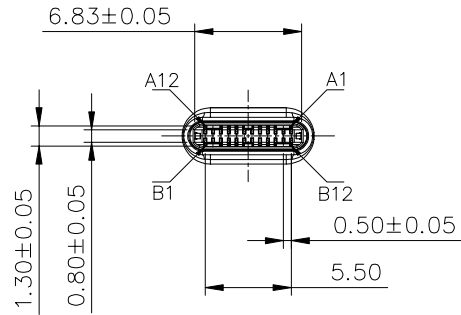


# HF

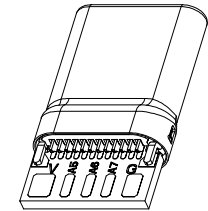
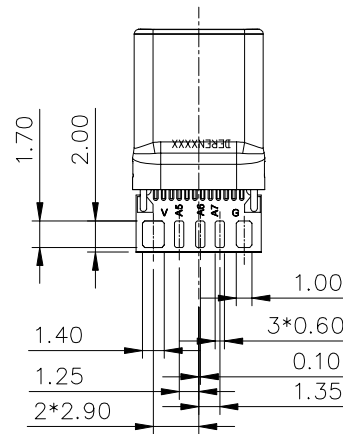
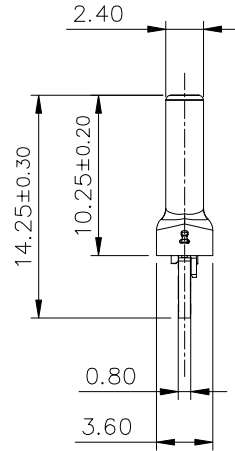
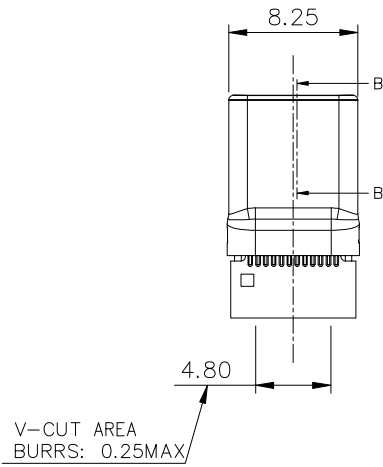
Halogen Free

REV.	ECN NO.	LOCATION	DESCRIPTION	DATE	DESIGN
X1			INITIAL RELEASE	2017.02.27	Liangkeyao



SECTION B-B  
SCALE 1:1  
(WITH EMI SPRING)

SECTION B-B  
SCALE 1:1  
(WITHOUT EMI SPRING)



DIM	TOL	DIM	TOL
x.	±0.30	x.	±2*
.x	±0.25	.x	±1*
.xx	±0.15		



**DEREN**  
SHENZHEN DEREN ELECTRONIC CO., LTD

DRAW NO.

\*\*\*

REV. X1

CUSTOMER DRAWING

DESIGN: Liangkeyao

CHECK:

APPROVAL:

DATE

2017.02.27

UC PLUG WITH PCB  
TITLE: (C TO C2.0 W=8.0mm) ASSY

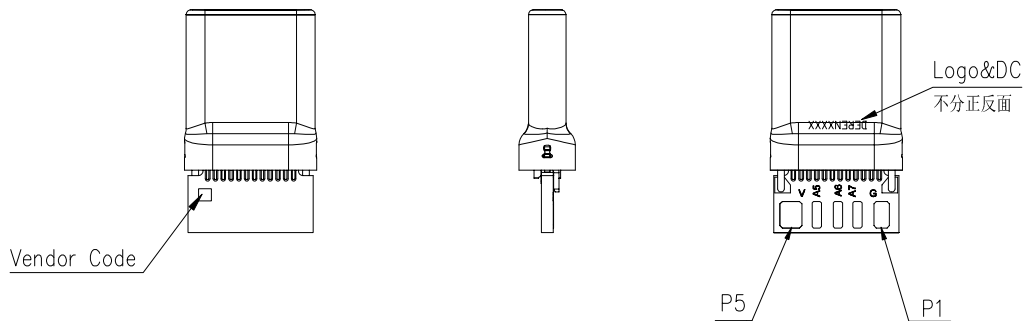
P/N: 40-42415-C249xTxxxx

SHEET: 1/3

SCALE: 1:1 UNIT: mm

**HF**  
Halogen Free

REV.	ECN NO.	LOCATION	DESCRIPTION	DATE	DESIGN
X1			INITIAL RELEASE	2017.02.27	Liangkeyao



CONTACT FIGURE:

CONN PIN	PCB PIN
A1,A12,B1,B12,SHELL	P1
A7	P2
A6	P3
A5	P4
A4,A9,B4,B9	P5

PINS DESCRIPTION  
PLUG FRONT VIEW

A12	A11	A10	A9	A8	A7	A6	A5	A4	A3	A2	A1
GND	RX2+	RX2-	VBus	SBU1	D-	D+	CC	VBus	TX1-	TX1+	GND
GND	TX2+	TX2-	VBus	Vconn			SBU2	VBus	RX1-	RX1+	GND
B1	B2	B3	B4	B5	B6	B7	B8	B9	B10	B11	B12

TIN THICK REQUEST:

CABLE PADS(P1~P5) WITH TIN THICKNESS: 0.20~0.30mm

DIM	TOL	DIM	TOL
x.	±0.30	x.	±2*
.x	±0.25	.x	±1*
.xx	±0.15		



**DEREN**  
SHENZHEN DEREN ELECTRONIC CO., LTD

CUSTOMER DRAWING	DATE
DESIGN: Liangkeyao	2017.02.27
CHECK:	
APPROVAL:	

TITLE: UC PLUG WITH PCB (C TO C2.0 W=8.0mm) ASSY	
P/N: 40-42415-C249xTxxxx	
SHEET: 2/3	
SCALE: 1:1	UNIT: mm

# HF

Halogen Free

REV.	ECN NO.	LOCATION	DESCRIPTION	DATE	DESIGN
X1			INITIAL RELEASE	2017.02.27	Liangkeyao

NOTES:

1.MATERIAL

- 1.1 HSG: HIGH TEMPERATURE THERMOPLASTIC UL94V-0; COLOR: SEE TABLE
- 1.2 CONTACT: COPPER ALLOY
- 1.3 LATCH: STAINLESS STEEL
- 1.4 EMI SPRING: STAINLESS STEEL
- 1.5 SHELL: STEEL
- 1.6 PCB: FR4 2 LAYERS; COLOR: GREEN

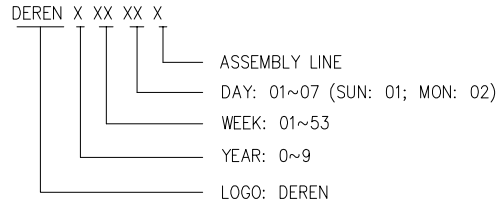
2. FINISH:

- 2.1 CONTACT:
  - SEE TABLE MIN, Au PLATING ON CONTACT AREA.
  - 100u" [2.54um] MIN. TIN PLATING ON SOLDER TAIL AREA.
  - 80u" [2.03um] MIN. NICKEL UNDERPLATING ON ALLOVER AREA.
- 2.2 SHELL
  - SEE TABLE
- 2.3 LATCH:
  - 100u" [2.54um] MIN. TIN PLATING ON SOLDER TAIL AREA.
  - 50u" [1.27um] MIN. NICKEL UNDERPLATING ON ALLOVER AREA.

3. MATING FORCE: 5~20N;

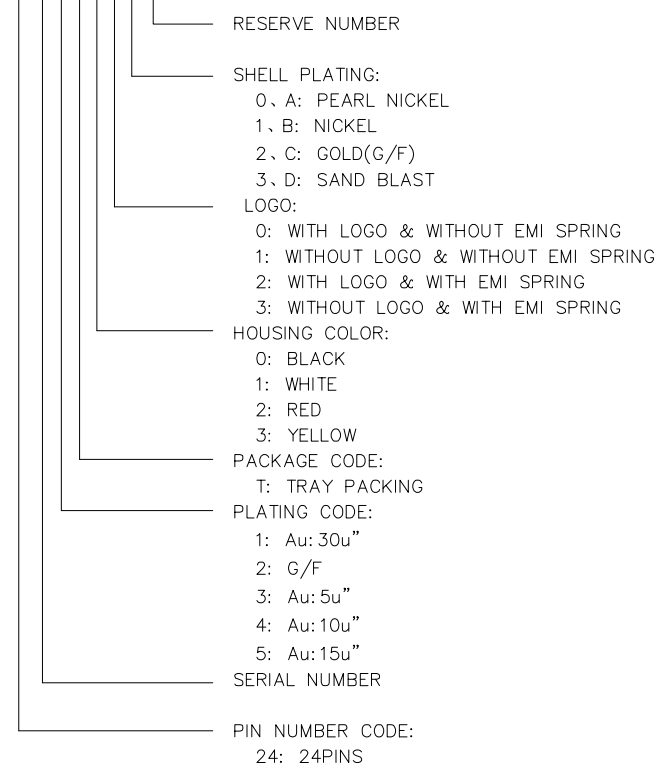
UNMATING FORCE: 8~20N (0~1000 CYCLES) AND 6~20N AFTER 10000 CYCLES

- 4. DIELECTRIC WITHSTANDING VOLTAGE: 300V AC/MINUTE FOR PER PIN
- 5. INSULATION RESISTANCE: 100M OHM BETWEEN ADJACENT CONTACTS AT 300V DC
- 6. TEMPERATURE RISING: 5A 30°C FOR VBus AND GND PIN
- 7. DATE CODE INFORMATION:

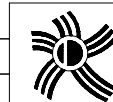


8. PART NUMBER INFORMATION:

40-42415-C 24 9 \* T \* \* \* \*\*



DIM	TOL	DIM	TOL
x.	±0.30	x.	±2*
.x	±0.25	.x	±1*
.xx	±0.15		



**DEREN**  
SHENZHEN DEREN ELECTRONIC CO., LTD

CUSTOMER DRAWING	DATE	UC PLUG WITH PCB TITLE: (C TO C2.0 W=8.0mm) ASSY	
DESIGN: Liangkeyao	2017.02.27	P/N: 40-42415-C249xTxxxx	
CHECK:		SHEET: 3/3	
APPROVAL:		SCALE: 1:1	UNIT: mm

DRAW NO.	***
REV.	X1