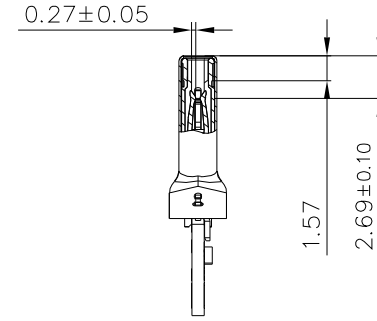
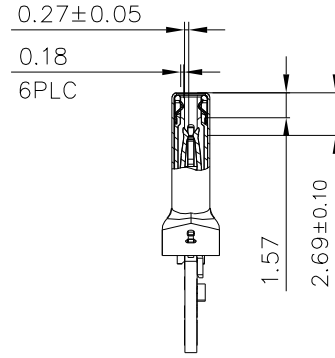
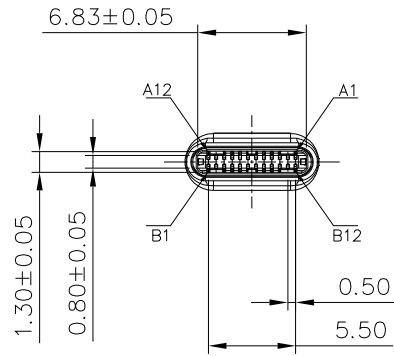


# HF

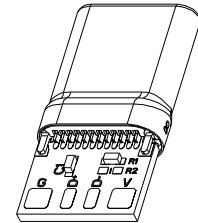
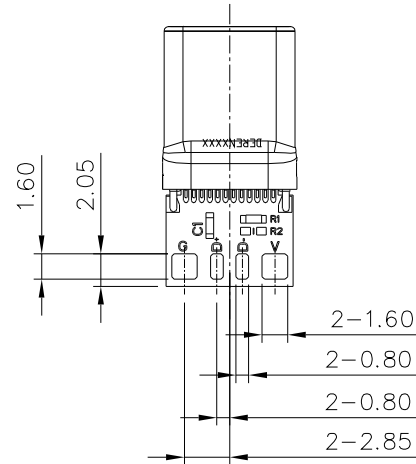
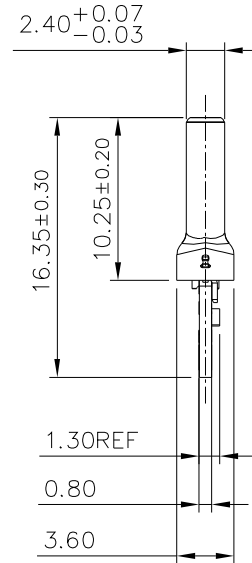
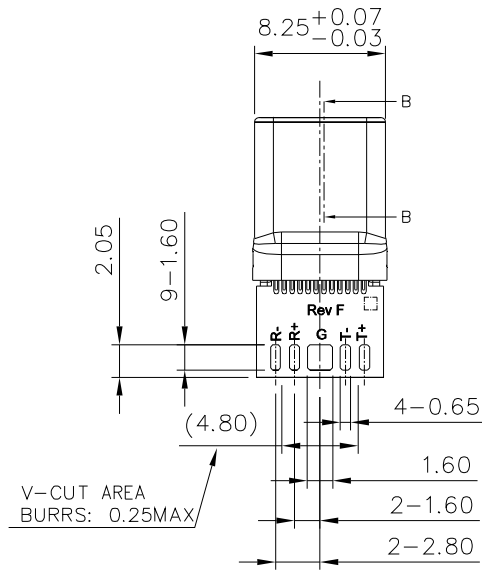
Halogen Free

REV.	ECN NO.	LOCATION	DESCRIPTION	DATE	DESIGN
X1			INITIAL RELEASE	2020.11.06	Liangkeyao

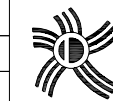


SECTION B-B  
SCALE 1:1  
(WITH EMI SPRING)

SECTION B-B  
SCALE 1:1  
(WITHOUT EMI SPRING)



DIM	TOL	DIM	TOL
x	±0.30	x	±2'
.x	±0.25	.x	±1'
xx	±0.15		



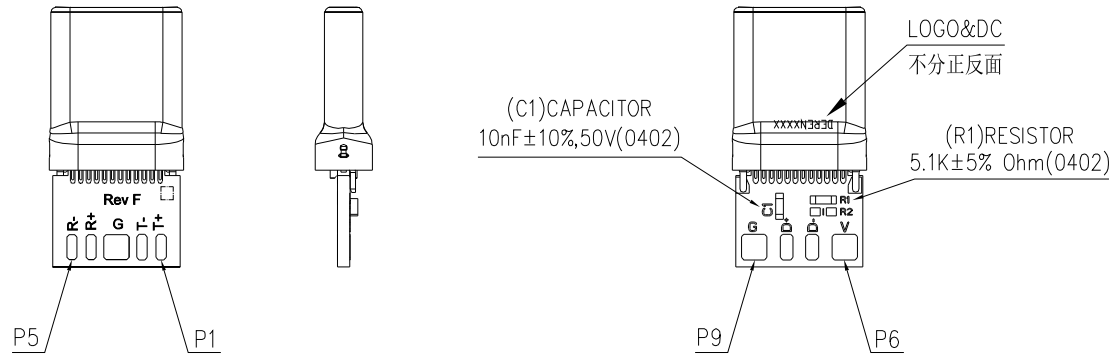
**DEREN**  
SHENZHEN DEREN ELECTRONIC CO., LTD

DRAW NO.		DATE		TITLE: UC PLUG WITH PCB	
***		2010.11.06		P/N: 40-42415-C248xTxxxxx	
REV.	X1	DESIGN:	Liangkeyao	SHEET:	1/3
APPROVAL:		CHECK:		SCALE:	1:1
				UNIT:	mm

# HF

Halogen Free

REV.	ECN NO.	LOCATION	DESCRIPTION	DATE	DESIGN
X1			INITIAL RELEASE	2020.11.06	Liangkeyao



CONTACT FIGURE:

CONN PIN	PCB PIN
A2	P1
A3	P2
A1;A12,B1,B12,SHELL	P3,P9
B11	P4
B10	P5
A4;A9,B4,B9	P6
A7	P7
A6	P8
A5	

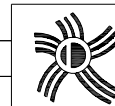
PINS DESCRIPTION  
PLUG FRONT VIEW

A12	A11	A10	A9	A8	A7	A6	A5	A4	A3	A2	A1
GND	RX2+	RX2-	VBus	SBU1	D-	D+	CC	VBus	TX1-	TX1+	GND
GND	TX2+	TX2-	VBus	Vconn			SBU2	VBus	RX1-	RX1+	GND
B1	B2	B3	B4	B5	B6	B7	B8	B9	B10	B11	B12

NOTES:

1. CABLE PADS(P6,P3,P9) WITH TIN THICKNESS: 0.25~0.35mm
2. THE OTHER CABLE PADS WITH TIN THICKNESS: 0.20~0.30mm

DIM	TOL	DIM	TOL
x.	±0.30	x.	±2'
.x	±0.25	.x	±1'
.xx	±0.15		



**DEREN**

SHENZHEN DEREN ELECTRONIC CO.,LTD

CUSTOMER DRAWING		DATE	TITLE: UC PLUG WITH PCB	
DESIGN:	Liangkeyao	2010.11.06	P/N: 40-42415-C248xTxxxxx	
CHECK:			SHEET:	2/3
APPROVAL:			SCALE:	1:1
REV.	X1		UNIT:	mm

**HF**

Halogen Free

REV.	ECN NO.	LOCATION	DESCRIPTION	DATE	DESIGN
X1			INITIAL RELEASE	2020.11.06	Liangkeyao

## NOTES:

## 1.MATERIAL

- 1.1 HSG: HIGH TEMPERATURE THERMOPLASTIC UL94V-0; COLOR: SEE TABLE
- 1.2 CONTACT: COPPER ALLOY
- 1.3 LATCH: STAINLESS STEEL
- 1.4 EMI SPRING: STAINLESS STEEL
- 1.5 SHELL: STEEL
- 1.6 PCB: FR4 4 LAYERS; COLOR: GREEN

## 2. FINISH:

## 2.1 CONTACT:

SEE TABLE MIN, Au PLATING ON CONTACT AREA.

100u" [2.54um] MIN. TIN PLATING ON SOLDER TAIL AREA.

80u" [2.03um] MIN. NICKEL UNDERPLATING ON ALLOVER AREA.

## 2.2 SHELL

SEE TABLE

## 2.3 LATCH:

100u" [2.54um] MIN. TIN PLATING ON SOLDER TAIL AREA.

50u" [1.27um] MIN. NICKEL UNDERPLATING ON ALLOVER AREA.

## 3. DIFF IMPEDANCE FOR SIGNAL PINS: 85ohm(+/-9ohm)

## 4. MATING FORCE: 5~20N; UNMATING FORCE: 8~20N(0~1000 CYCLES)AND 6~20N AFTER 10000 CYCLES

## 5. DIELECTRIC WITHSTANDING VOLTAGE: 300V AC/MINUTE FOR PER PIN

## 6. INSULATION RESISTANCE: 100M OHM BETWEEN ADJACENT CONTACTS AT 300V DC

## 7. TEMPERATURE RISING: 5A 30℃ FOR VBus AND GND PIN

## 8. DATE CODE INFORMATION:

DEREN X XX XX X

ASSEMBLY LINE

DAY: 01~07 (SUN:01;MON:02)

WEEK: 01~53

YEAR: 0~9

LOGO: DEREN

## 9. PART NUMBER INFORMATION:

40-42415-C 24 8 \* T \* \* \* \* \*

RESERVE NUMBER

SHELL PLATING:

0、A: PEARL NICKEL

1、B: NICKEL

2、C: GOLD(G/F)

3、D: SAND BLAST

LOGO:

0: WITHOUT LOGO &amp; WITHOUT EMI SPRING

1: WITHOUT LOGO &amp; WITHOUT EMI SPRING

2: WITH LOGO &amp; WITH EMI SPRING

3: WITHOUT LOGO &amp; WITH EMI SPRING

HOUSING COLOR:

0: BLACK

1: WHITE

2: RED

3: YELLOW

PACKAGE CODE:

T: TRAY PACKING

PLATING CODE:

1: Au:30u"

2: G/F

3: Au:5u"

4: Au:10u"

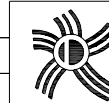
5: Au:15u"

SERIAL NUMBER

PIN NUMBER CODE:

A: 24PINS

DIM	TOL	DIM	TOL
x.	±0.30	x.	±2'
.x	±0.25	.x	±1'
xx	±0.15		

**DEREN**

SHENZHEN DEREN ELECTRONIC CO.,LTD

CUSTOMER DRAWING		DATE	TITLE: UC PLUG WITH PCB	
DESIGN:	Liangkeyao	2010.11.06	P/N: 40-42415-C248xTxxxxx	
CHECK:			SHEET:	3/3
APPROVAL:			SCALE:	1:1
REV.	X1		UNIT:	mm