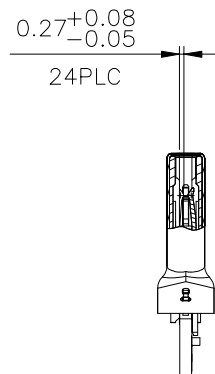
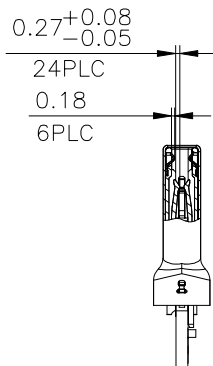
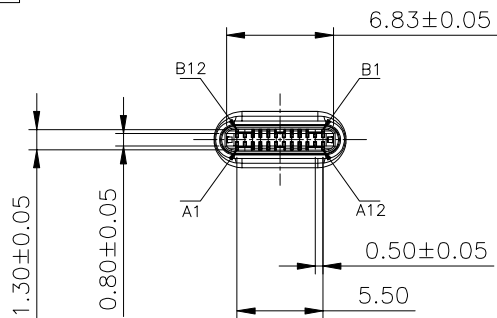


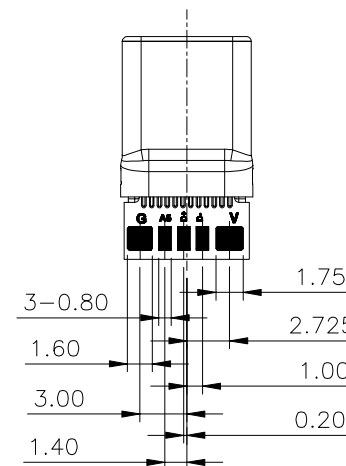
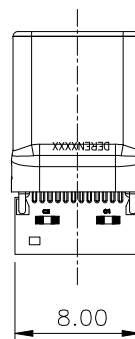
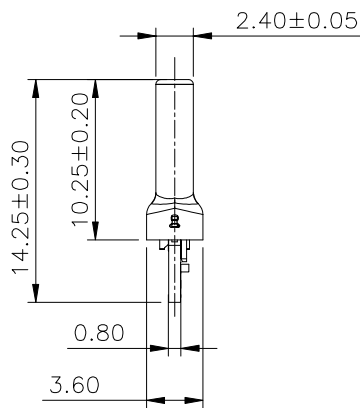
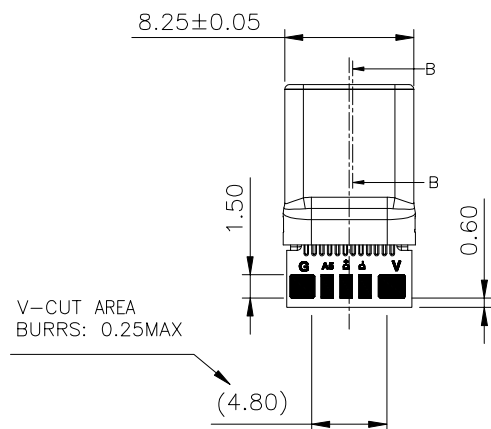
HF
Halogen Free

REV.	ECN NO.	LOCATION	DESCRIPTION	DATE	DESIGN
X1			INITIAL RELEASE	2017.08.28	ZhongtaoC



SECTION B-B
SCALE 1:1
(WITH EMI SPRING)

SECTION B-B
SCALE 1:1
(WITHOUT EMI SPRING)



DIM	TOL	DIM	TOL
x.	±0.30	x.	±2*
.x	±0.25	.x	±1*
.xx	±0.15		



DEREN
SHENZHEN DEREN ELECTRONIC CO., LTD

DRAW NO.

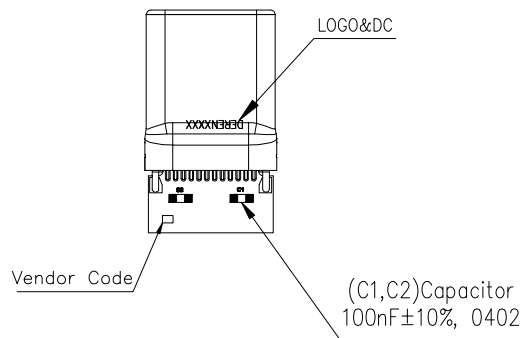
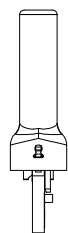
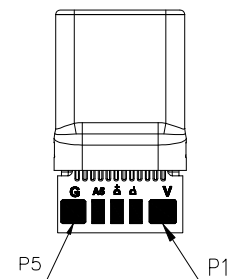
REV. X1

CUSTOMER DRAWING	DATE
DESIGN: ZhongtaoC	2018.08.28
CHECK:	
APPROVAL:	

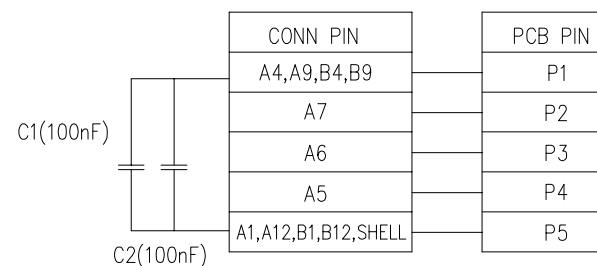
TITLE: UC PLUG WITH PCB C TO L (W=8.0mm)ASSY	
P/N: 40-42415-CA47xTxxxx	
SHEET: 1/3	
SCALE: 1:1	UNIT: mm

HF
Halogen Free

REV.	ECN NO.	LOCATION	DESCRIPTION	DATE	DESIGN
X1			INITIAL RELEASE	2017.08.28	ZhongtaoC



CONTACT FIGURE:

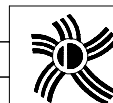


PINS DESCRIPTION
PLUG FRONT VIEW

A12	A11	A10	A9	A8	A7	A6	A5	A4	A3	A2	A1
GND	RX2+	RX2-	VBus	SBU1	D-	D+	CC	VBus	TX1-	TX1+	GND
GND	TX2+	TX2-	VBus	Vconn			SBU2	VBus	RX1-	RX1+	GND
B1	B2	B3	B4	B5	B6	B7	B8	B9	B10	B11	B12

TIN THICKNESS REQUEST:
CABLE PADS(P1~P5) WITH TIN THICKNESS: 0.20~0.35mm

DIM	TOL	DIM	TOL
x.	±0.30	x.	±2°
.x	±0.25	.x	±1°
.xx	±0.15		



DEREN
SHENZHEN DEREN ELECTRONIC CO., LTD

CUSTOMER	DRAWING	DATE	TITLE:
DESIGN:	ZhongtaoC	2018.08.28	UC PLUG WITH PCB C TO L (W=8.0mm)ASSY
CHECK:			P/N: 40-42415-CA47xTxxxx
APPROVAL:			SHEET: 2/3
			SCALE: 1:1 UNIT: mm

HF

Halogen Free

REV.	ECN NO.	LOCATION	DESCRIPTION	DATE	DESIGN
X1			INITIAL RELEASE	2017.08.28	ZhongtaoC

NOTES:

1.MATERIAL

- 1.1 HSG: HIGH TEMPERATURE THERMOPLASTIC UL94V-0; COLOR: SEE PART NUMBER INFORMATION
- 1.2 CONTACT: COPPER ALLOY
- 1.3 LATCH: STAINLESS STEEL
- 1.4 EMI SPRING: STAINLESS STEEL
- 1.5 SHELL: STAINLESS STEEL
- 1.6 PCB: FR4 2 LAYERS

2. FINISH:

2.1 CONTACT:

- SEE PART NUMBER INFORMATION MIN, Au PLATING ON CONTACT AREA.
- 100u" [2.54um] MIN. TIN PLATING ON SOLDERTAIL AREA.
- 50u" [1.27um] MIN. NICKEL UNDERPLATING ON ALLOVER AREA.

2.2 SHELL

SEE PART NUMBER INFORMATION

2.3 LATCH:

- 100u" [2.54um] MIN. TIN PLATING ON SOLDERTAIL AREA.
- 50u" [1.27um] MIN. NICKEL UNDERPLATING ON ALLOVER AREA.

3. MATING FORCE: 5~20N;

UNMATING FORCE: 8~20N (0~1000 CYCLES) AND 6~20N AFTER 10000 CYCLES

4. DIELECTRIC WITHSTANDING VOLTAGE: 300V AC/MINUTE FOR PER PIN

5. INSULATION RESISTANCE: 100M OHM BETWEEN ADJACENT CONTACTS AT 300V DC

6. TEMPERATURE RISING: 5A 30°C FOR VBus AND GND PIN

7. DATE CODE INFORMATION:

DEREN X XX XX X
 ASSEMBLY LINE
 DAY: 01~07 (SUN:01;MON:02)
 WEEK: 01~53
 YEAR: 0~9
 LOGO: DEREN

8. PART NUMBER INFORMATION:

40-42415-C A 47 * T * * * **

RESERVE NUMBER

SHELL PLATING:

- 0,A: PEARL NICKEL
- 1,B: NICKEL
- 2,C: GOLD(G/F)
- 3,D: SAND BLAST

LOGO:

- 0: WITH LOGO & WITHOUT EMI SPRING
- 1: WITHOUT LOGO & WITHOUT EMI SPRING
- 2: WITH LOGO & WITH EMI SPRING
- 3: WITHOUT LOGO & WITH EMI SPRING

HOUSING COLOR:

- 0: BLACK
- 1: WHITE
- 2: RED
- 3: YELLOW

PACKAGE CODE:

T: TRAY PACKING

PLATING CODE:

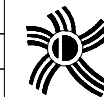
- 1: Au:30u"
- 2: G/F
- 3: Au:5u"
- 4: Au:10u"
- 5: Au:15u"

SERIAL NUMBER

PIN NUMBER CODE:

A: 24PINS

DIM	TOL	DIM	TOL
x.	±0.30	x.	±2°
.x	±0.25	.x	±1°
.xx	±0.15		

**DEREN**

SHENZHEN DEREN ELECTRONIC CO., LTD

CUSTOMER DRAWING

DATE

DESIGN: ZhongtaoC

2018.08.28

CHECK:

APPROVAL:

TITLE: UC PLUG WITH PCB
C TO L (W=8.0mm)ASSY

P/N: 40-42415-CA47xTxxxx

SHEET: 3/3

SCALE: 1:1 UNIT: mm

DRAW NO.

REV. X1