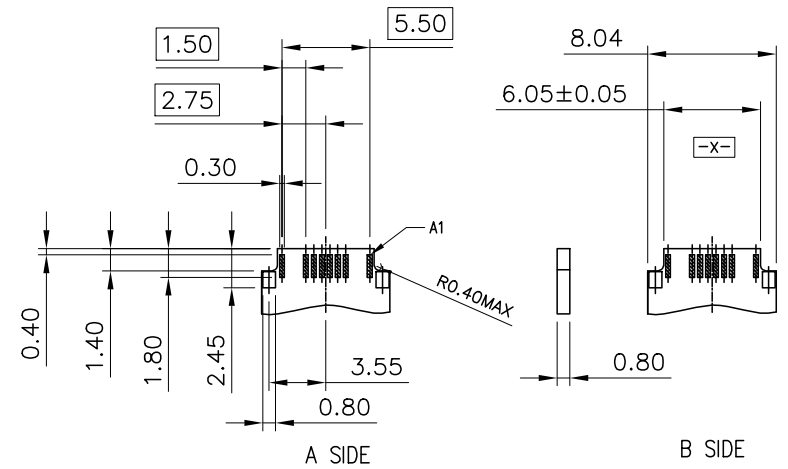
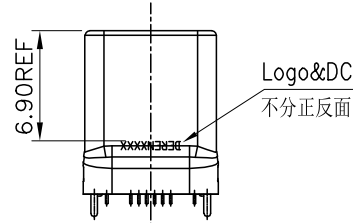
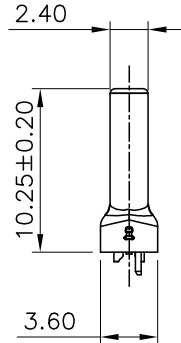
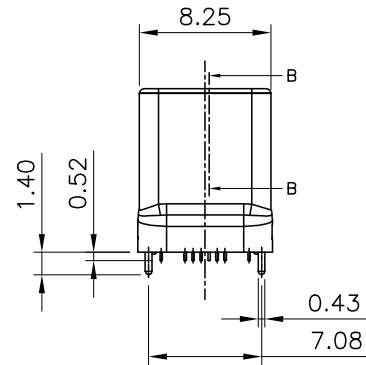
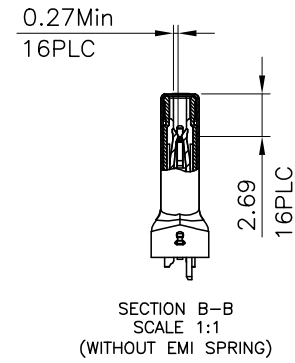
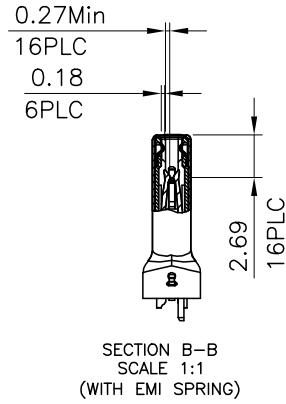
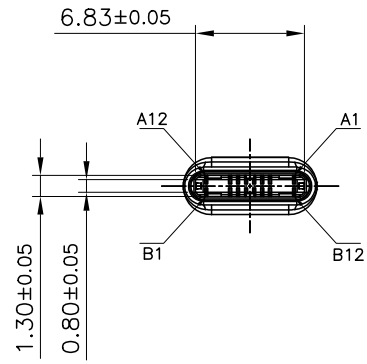
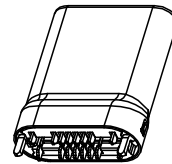
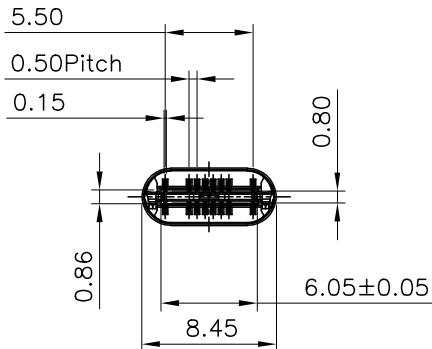


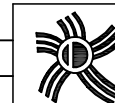
REV.	ECN NO.	LOCATION	DESCRIPTION	DATE	DESIGN
X1			INITIAL RELEASE	2020.06.03	Liangkeyao



RECOMMEND P.C.B LAYOUT
TOLERANCES: ±0.05;
PCB T=0.80mm



DIM	TOL	DIM	TOL
.x.	±0.30	.x.	±2'
.x	±0.25	.x	±1'
.xx	±0.15		



DEREN

SHENZHEN DEREN ELECTRONIC CO., LTD

DRAW NO. ***	CUSTOMER DRAWING	DATE	TITLE: UC PLUG ALL CLOSE ASSY 3.6H 16PIN_ONLY CONN
	DESIGN: Liangkeyao	2020.06.03	P/N: 40-42415-CB00*****
REV. X1	CHECK:		SHEET: 1/3
APPROVAL:			SCALE: 1:1 UNIT: mm

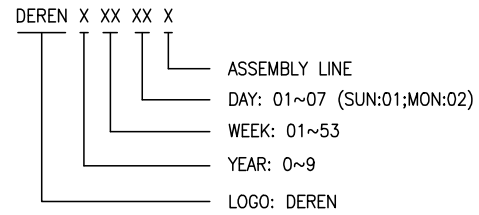


REV.	ECN NO.	LOCATION	DESCRIPTION	DATE	DESIGN
X1			INITIAL RELEASE	2020.06.03	Liangkeyao

NOTES:

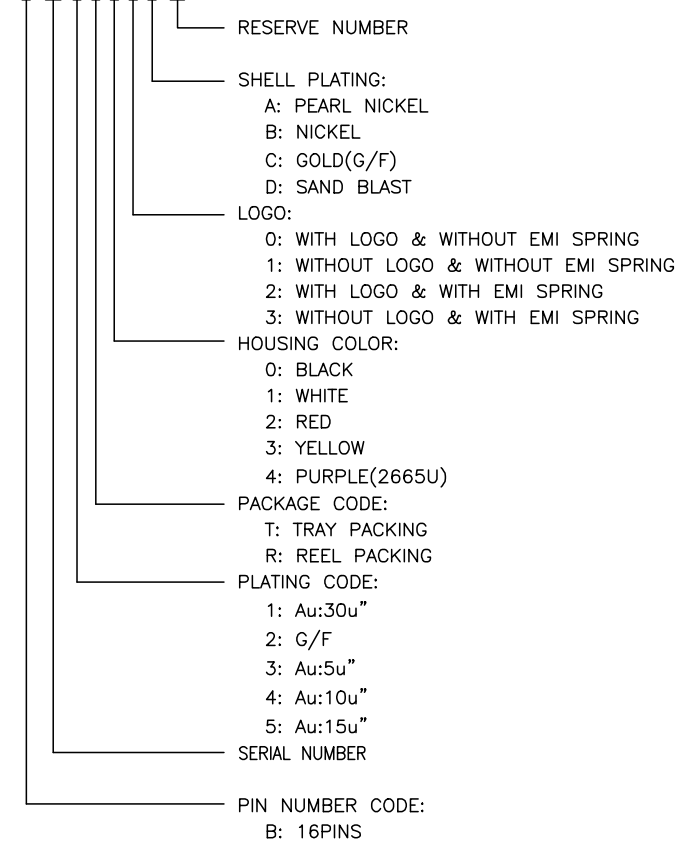
1. MATERIAL
 - 1.1 HSG: HIGH TEMPERATURE THERMOPLASTIC UL94V-0
 - 1.2 CONTACT: COPPER ALLOY
 - 1.3 LATCH: STAINLESS STEEL
 - 1.4 EMI SPRING: STAINLESS STEEL
 - 1.5 SHELL: STEEL
2. FINISH:
 - 2.1 CONTACT:
 - SEE TABLE MIN, Au PLATING ON CONTACT AREA.
 - 100u" [2.54um] MIN. TIN PLATING ON SOLDER TAIL AREA.
 - 80u" [2.03um] MIN. NICKEL UNDERPLATING ON ALLOVER AREA.
 - 2.2 SHELL
 - SEE TABLE
 - 2.3 LATCH:
 - 100u" [2.54um] MIN. TIN PLATING ON SOLDER TAIL AREA.
 - 50u" [1.27um] MIN. NICKEL UNDERPLATING ON ALLOVER AREA.

3. DATE CODE INFORMATION:



4. PART NUMBER INFORMATION:

40-42415-C B 00 * T * * * **



PINS DESCRIPTION
PLUG FRONT VIEW

A12	A11	A10	A9	A8	A7	A6	A5	A4	A3	A2	A1
GND			VBus	SBU1	D-	D+	CC	VBus			GND
GND			VBus	Vconn			SBU2	VBus			GND
B1	B2	B3	B4	B5	B6	B7	B8	B9	B10	B11	B12

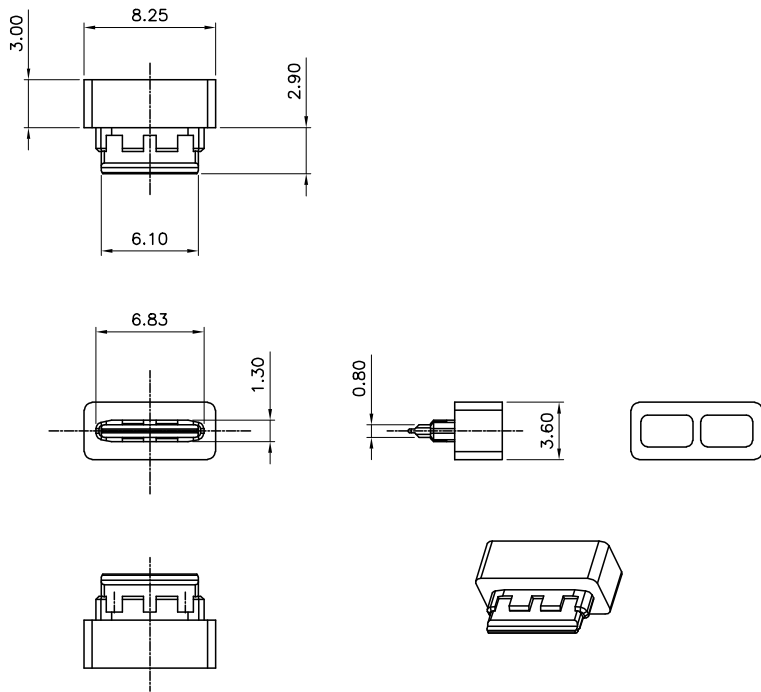
DIM	TOL	DIM	TOL
.x	±0.30	.x	±2'
.x	±0.25	.x	±1'
.xx	±0.15		

DEREN
SHENZHEN DEREN ELECTRONIC CO., LTD

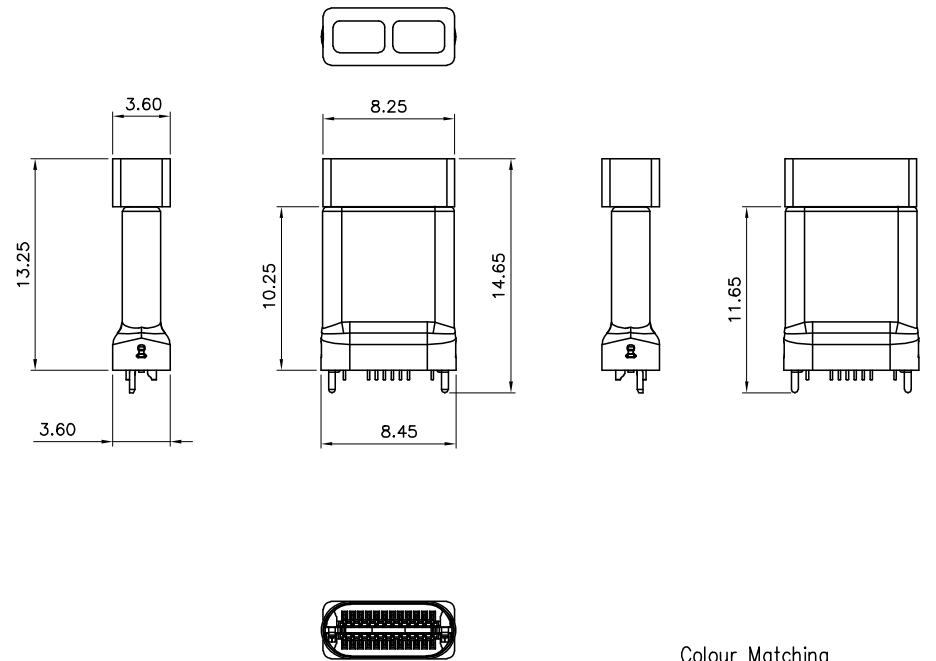
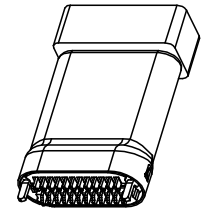
CUSTOMER DRAWING		DATE		TITLE: UC PLUG ALL CLOSE ASSY 3.6H 16PIN_ONLY CONN	
DESIGN:	Liangkeyao	2020.06.03	P/N: 40-42415-CB00*****		
CHECK:			SHEET:	2/3	
APPROVAL:			SCALE:	1:1	UNIT: mm

REV.	ECN NO.	LOCATION	DESCRIPTION	DATE	DESIGN
X1			INITIAL RELEASE	2020.06.03	Liangkeyao

IR HOLDER DRAWING



Before IR process, need assembly IR holder to type C Plug connector.



Colour Matching

Housing Colour	Holder Colour
BLACK	BLACK
Other Colour	WHITE

DIM	TOL	DIM	TOL
.x.	±0.30	.x.	±2'
.x	±0.25	.x	±1'
.xx	±0.15		

DEREN
SHENZHEN DEREN ELECTRONIC CO., LTD

CUSTOMER DRAWING	DATE	TITLE: UC PLUG ALL CLOSE ASSY 3.6H 16PIN_ONLY CONN
DESIGN: Liangkeyao	2020.06.03	
CHECK:		P/N: 40-42415-CB00*****
REV. X1	APPROVAL:	SHEET: 3/3
		SCALE: 1:1 UNIT: mm