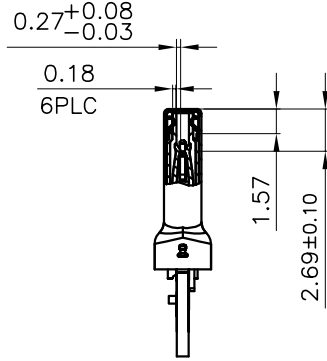
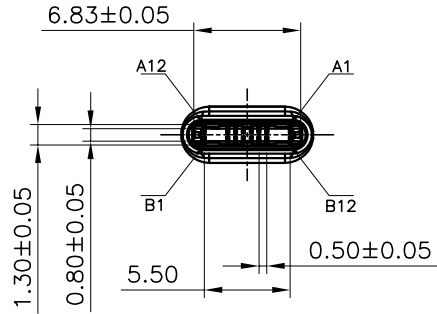


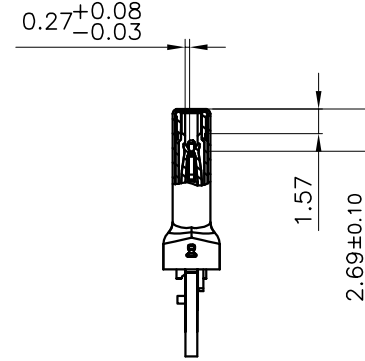
**HF**

Halogen Free

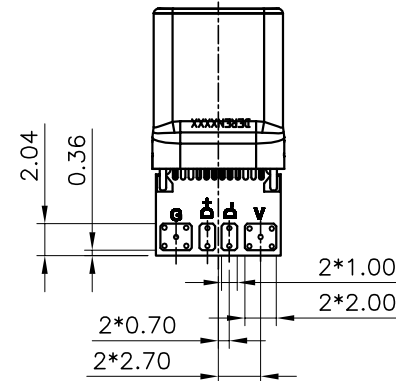
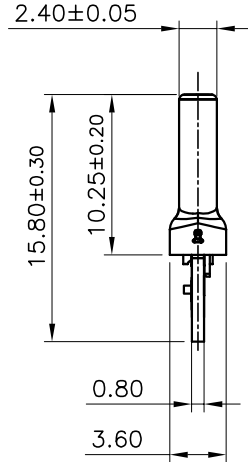
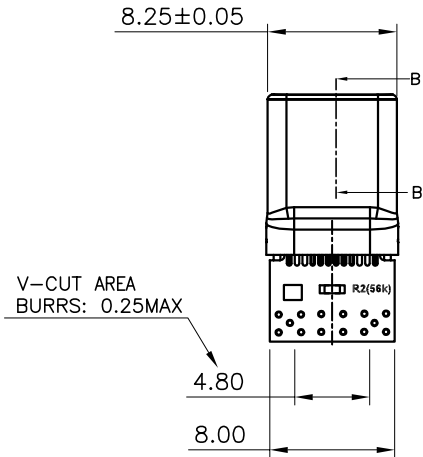
REV.	ECN NO.	LOCATION	DESCRIPTION	DATE	DESIGN
X1			INITIAL RELEASE	2019.04.12	Liangkeyao



SECTION B-B  
SCALE 1:1  
(WITH EMI SPRING)



SECTION B-B  
SCALE 1:1  
(WITHOUT EMI SPRING)



DIM	TOL	DIM	TOL
x	±0.30	x	±2'
.x	±0.25	.x	±1'
.xx	±0.15		



**DEREN**  
SHENZHEN DEREN ELECTRONIC CO., LTD

CUSTOMER DRAWING		DATE	TITLE: UC PLUG WITH PCB (CU2.0 56K Ohm) ASSY	
DESIGN:	Liangkeyao	2019.04.12	P/N: 40-42415-CB17XTXXHF	
CHECK:			SHEET: 1/3	
APPROVAL:			SCALE: 1:1	UNIT: mm

A

B

C

D

E

A

B

C

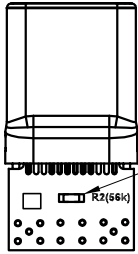
D

E

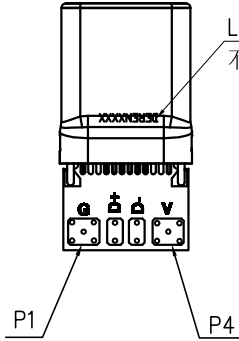
**HF**

Halogen Free

REV.	ECN NO.	LOCATION	DESCRIPTION	DATE	DESIGN
X1			INITIAL RELEASE	2019.04.12	Liangkeyao



(R2)RESISTOR  
56K±5% 0hm



LOGO&DC  
不分正反面

CONTACT FIGURE:

CONN PIN	PCB PIN
A1,A12,B1,B12,SHELL	P1
A6	P2
A7	P3
A4,A9,B4,B9	P4
A5	

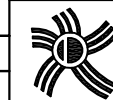
PINS DESCRIPTION  
PLUG FRONT VIEW

A12	A11	A10	A9	A8	A7	A6	A5	A4	A3	A2	A1
GND			VBus	SBU1	D-	D+	CC	VBus			GND
GND			VBus	Vconn			SBU2	VBus			GND
B1	B2	B3	B4	B5	B6	B7	B8	B9	B10	B11	B12

TIN THICK REQUEST:

1. CABLE PADS(P1, P4) WITH TIN THICKNESS: 0.30~0.55mm
2. CABLE PADS(P2, P3) WITH TIN THICKNESS: 0.20~0.45mm

DIM	TOL	DIM	TOL
x	±0.30	x	±2°
.x	±0.25	.x	±1°
.xx	±0.15		



**DEREN**

SHENZHEN DEREN ELECTRONIC CO., LTD

CUSTOMER DRAWING		DATE	TITLE: UC PLUG WITH PCB (CU2.0 56K Ohm) ASSY	
DESIGN:	Liangkeyao	2019.04.12	P/N: 40-42415-CB17XTXXHF	
CHECK:			SHEET:	2/3
APPROVAL:			SCALE:	1:1 UNIT: mm

DRAW NO.

\*\*\*

REV. X1



REV.	ECN NO.	LOCATION	DESCRIPTION	DATE	DESIGN
X1			INITIAL RELEASE	2019.04.12	Liangkeyao

NOTES:

1. MATERIAL

- 1.1 HSG: HIGH TEMPERATURE THERMOPLASTIC UL94V-0; COLOR: SEE PART NUMBER INFORMATION.
- 1.2 CONTACT: COPPER ALLOY
- 1.3 LATCH: STAINLESS STEEL
- 1.4 EMI SPRING: STAINLESS STEEL
- 1.5 SHELL: STEEL
- 1.6 PCB: FR4 2 LAYERS; COLOR: BLUE

2. FINISH:

- 2.1 CONTACT:
  - Au MIN. PLATING SEE PART NUMBER INFORMATION, Au PLATING ON CONTACT AREA.
  - 100u" [2.54um] MIN. TIN PLATING ON SOLDER TAIL AREA.
  - 80u" [2.03um] MIN. NICKEL UNDERPLATING ON ALLOVER AREA.

2.2 SHELL

SEE PART NUMBER INFORMATION.

2.3 LATCH:

- 100u" [2.54um] MIN. TIN PLATING ON SOLDER TAIL AREA.
- 50u" [1.27um] MIN. NICKEL UNDERPLATING ON ALLOVER AREA.

3. MATING FORCE: 5~20N; UNMATING FORCE: 8~20N(0~1000 CYCLES)AND 6~20N AFTER 10000 CYCLES

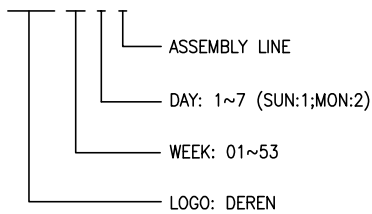
4. DIELECTRIC WITHSTANDING VOLTAGE: 300V AC/MINUTE FOR PER PIN

5. INSULATION RESISTANCE: 100M OHM BETWEEN ADJACENT CONTACTS AT 300V DC

6. TEMPERATURE RISING: 5A 30s FOR VBus AND GND PIN

7. DATE CODE INFORMATION:

DEREN XX X X

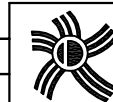


8. PART NUMBER INFORMATION:

40-42415-C B 17 \* T \* \* \* HF

- HALOGEN CODE:
  - HF: HALOGEN FREE
- SHELL PLATING:
  - 0: PEARL NICKEL
  - 1: NICKEL
  - 2: GOLD(G/F)
  - 3: SAND BLAST
- LOGO:
  - 0: WITH LOGO & WITHOUT EMI SPRING
  - 1: WITHOUT LOGO & WITHOUT EMI SPRING
  - 2: WITH LOGO & WITH EMI SPRING
  - 3: WITHOUT LOGO & WITH EMI SPRING
- HOUSING COLOR:
  - 0: BLACK
  - 1: WHITE
  - 2: RED
  - 3: YELLOW
- PACKAGE CODE:
  - T: TRAY PACKING
- PLATING CODE:
  - 1: Au:30u"
  - 2: G/F
  - 3: Au:5u"
  - 4: Au:10u"
  - 5: Au:15u"
- SERIAL NUMBER
- PIN NUMBER CODE:
  - B: 16PINS

DIM	TOL	DIM	TOL
x	±0.30	x	±2'
.x	±0.25	.x	±1'
.xx	±0.15		



**DEREN**

SHENZHEN DEREN ELECTRONIC CO., LTD

CUSTOMER DRAWING		DATE	TITLE: UC PLUG WITH PCB (CU2.0 56K Ohm) ASSY	
DESIGN:	Liangkeyao	2019.04.12	P/N: 40-42415-CB17XTXXXHF	
CHECK:			SHEET: 3/3	
APPROVAL:			SCALE: 1:1	UNIT: mm