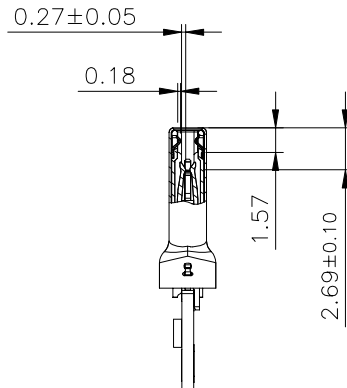
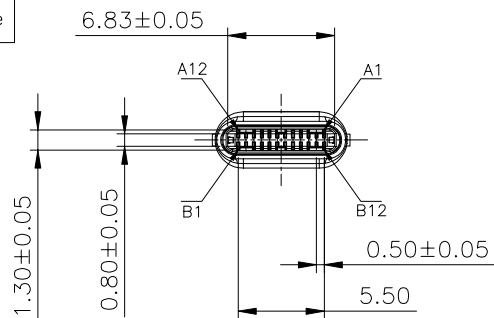


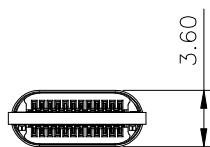
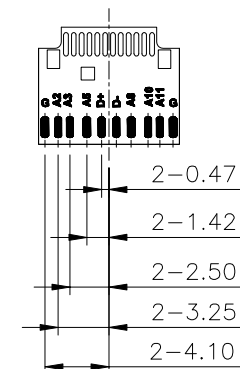
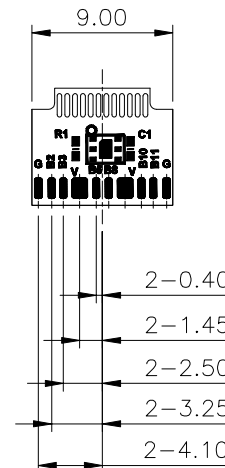
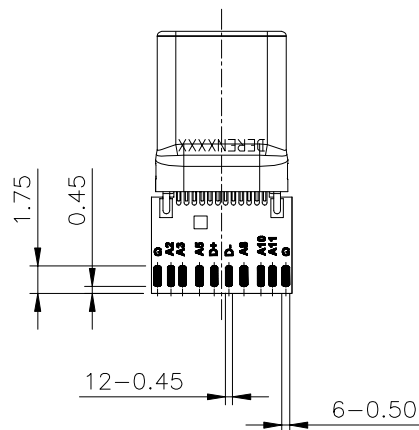
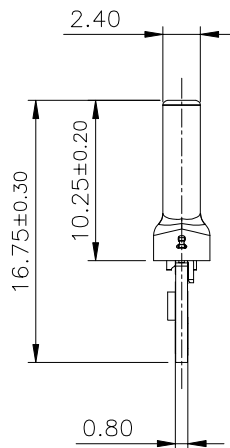
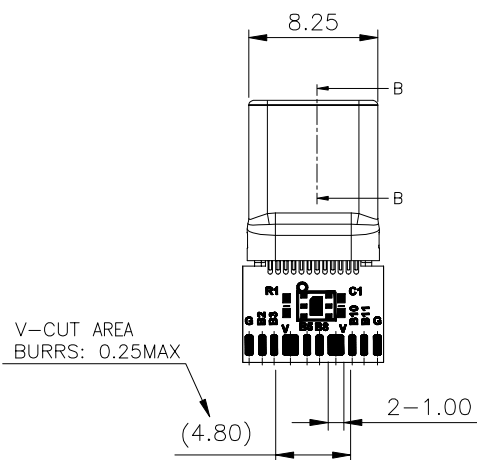
# HF

Halogen Free

REV.	ECN NO.	LOCATION	DESCRIPTION	DATE	DESIGN
X1			INITIAL RELEASE	2021.07.14	Liangkeyao



SECTION B-B  
SCALE 1:1



DIM	TOL	DIM	TOL
x.	±0.30	x.	±2*
.x	±0.25	.x	±1*
.xx	±0.15		



**DEREN**  
SHENZHEN DEREN ELECTRONIC CO., LTD

DRAW NO.

\*\*\*

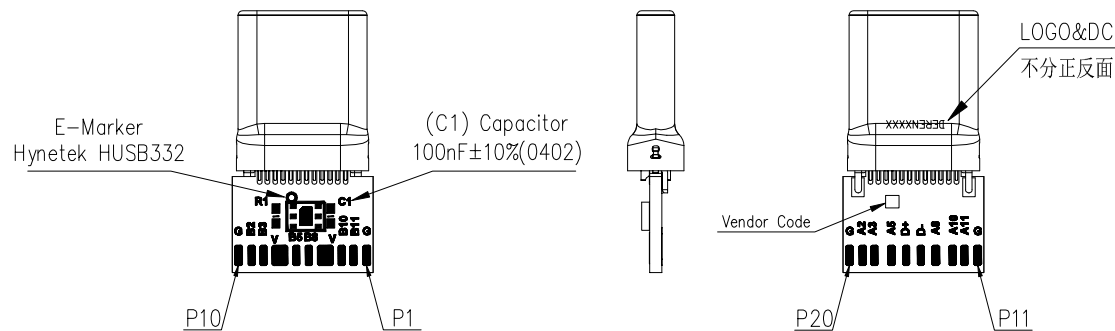
REV. X1

CUSTOMER DRAWING	DATE
DESIGN: Liangkeyao	2021.07.14
CHECK:	
APPROVAL:	

TITLE: UC PLUG WITH PCB(CU3.1 Twisted Pair WITH E-Marker W=9.0mm) ASSY	
P/N: 40-42415-CA85XTxxxx	
SHEET: 1/3	
SCALE: 1:1	UNIT: mm

**HF**  
Halogen Free

REV.	ECN NO.	LOCATION	DESCRIPTION	DATE	DESIGN
X1			INITIAL RELEASE	2021.07.14	Liangkeyao



CONTACT FIGURE:

CONN PIN	PCB PIN	PCB PIN	CONN PIN
B11	P2	P12	A11
B10	P3	P13	A10
B4,B9,A4,A9	P4,P7	P14	A8
B8	P5	P15	A7
B5	P6	P16	A6
B3	P8	P17	A5
B2	P9	P18	A3
A1,A12,B1,B12, SHELL	P1,P10 ,P11,P20	P19	A2

PINS DESCRIPTION  
PLUG FRONT VIEW

A12	A11	A10	A9	A8	A7	A6	A5	A4	A3	A2	A1
GND	RX2+	RX2-	VBus	SBU1	D-	D+	CC	VBus	TX1-	TX1+	GND
GND	TX2+	TX2-	VBus	Vconn			SBU2	VBus	RX1-	RX1+	GND
B1	B2	B3	B4	B5	B6	B7	B8	B9	B10	B11	B12

TIN THICK REQUEST:

CABLE PAD TIN THICKNESS: 0.10~0.30mm

DIM	TOL	DIM	TOL
x.	±0.30	x.	±2°
.x	±0.25	.x	±1°
.xx	±0.15		



**DEREN**  
SHENZHEN DEREN ELECTRONIC CO., LTD

CUSTOMER DRAWING	DATE
DESIGN: Liangkeyao	2021.07.14
CHECK:	
APPROVAL:	

TITLE: UC PLUG WITH PCB(CU3.1 Twisted Pair WITH E-Marker W=9.0mm) ASSY			
P/N: 40-42415-CAB5XTxxxx	SHEET: 2/3		
SCALE: 1:1	UNIT: mm		

**HF**

Halogen Free

REV.	ECN NO.	LOCATION	DESCRIPTION	DATE	DESIGN
X1			INITIAL RELEASE	2021.07.14	Liangkeyao

## NOTES:

## 1.MATERIAL

- 1.1 HSG: HIGH TEMPERATURE THERMOPLASTIC UL94V-0; COLOR: SEE PART NUMBER INFORMATION.
- 1.2 CONTACT: COPPER ALLOY
- 1.3 LATCH: STAINLESS STEEL
- 1.4 EMI SPRING: STAINLESS STEEL
- 1.5 SHELL: STEEL
- 1.6 PCB: FR4 6 LAYERS; COLOR: GREEN

## 2. FINISH:

## 2.1 CONTACT:

- Au MIN. PLATING SEE PART NUMBER INFORMATION, Au PLATING ON CONTACT AREA.
- 100u" [2.54um] MIN. TIN PLATING ON SOLDER TAIL AREA.
- 80u" [2.03um] MIN. NICKEL UNDERPLATING ON ALLOVER AREA.

## 2.2 SHELL

SEE PART NUMBER INFORMATION.

## 2.3 LATCH:

- 100u" [2.54um] MIN. TIN PLATING ON SOLDER TAIL AREA.
- 50u" [1.27um] MIN. NICKEL UNDERPLATING ON ALLOVER AREA.

## 3. DIFF IMPEDANCE FOR SIGNAL PINS: 85 Ohm(+/-9 Ohm)

## 4. MATING FORCE: 5~20N;

UNMATING FORCE: 8~20N (0~1000 CYCLES) AND 6~20N AFTER 10000 CYCLES

## 5. DIELECTRIC WITHSTANDING VOLTAGE: 300V AC/MINUTE FOR PER PIN

## 6. INSULATION RESISTANCE: 100M OHM BETWEEN ADJACENT CONTACTS AT 300V DC

## 7. TEMPERATURE RISING: 5A 30c FOR VBus AND GND PIN

## 8. DATE CODE INFORMATION:

DEREN X XX XX X

ASSEMBLY LINE

DAY: 01~07 (SUN:01;MON:02)

WEEK: 01~53

YEAR: 0~9

LOGO: DEREN

## 9. PART NUMBER INFORMATION:

40-42415-C A 85 \* T \* \* \* \*\*

RESERVE NUMBER

SHELL PLATING:

- A: PEARL NICKEL
- B: NICKEL
- C: GOLD(G/F)
- D: SAND BLAST

LOGO:

- 0: WITH LOGO & WITHOUT EMI SPRING
- 1: WITHOUT LOGO & WITHOUT EMI SPRING
- 2: WITH LOGO & WITH EMI SPRING
- 3: WITHOUT LOGO & WITH EMI SPRING

HOUSING COLOR:

- 0: BLACK
- 1: WHITE
- 2: RED
- 3: YELLOW

PACKAGE CODE:

T: TRAY PACKING

PLATING CODE:

- 1: Au:30u"
- 2: G/F
- 3: Au:5u"
- 4: Au:10u"
- 5: Au:15u"

SERIAL NUMBER

PIN NUMBER CODE:

A: 24PINS

DIM	TOL	DIM	TOL
x.	±0.30	x.	±2°
.x	±0.25	.x	±1°
.xx	±0.15		

**DEREN**

SHENZHEN DEREN ELECTRONIC CO., LTD

CUSTOMER DRAWING DATE

DESIGN: Liangkeyao 2021.07.14

CHECK:

APPROVAL:

TITLE: UC PLUG WITH PCB(CU3.1 Twisted Pair WITH E-Marker W=9.0mm) ASSY

P/N: 40-42415-CAB5XTxxxxx

SHEET: 3/3

SCALE: 1:1 UNIT: mm

DRAW NO.

\*\*\*

REV. X1