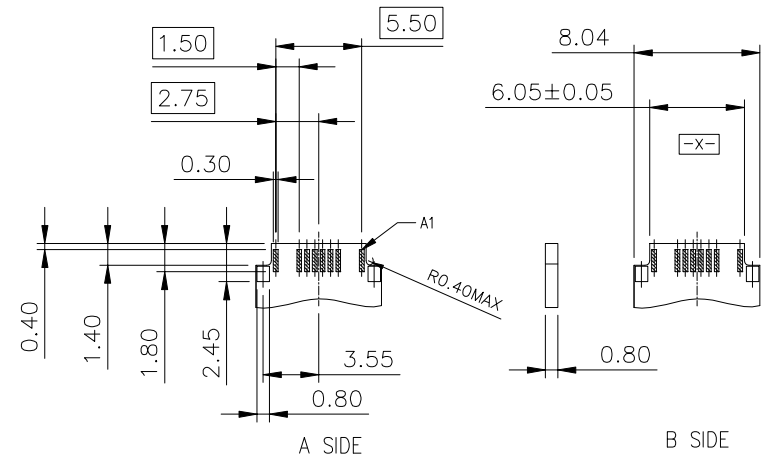
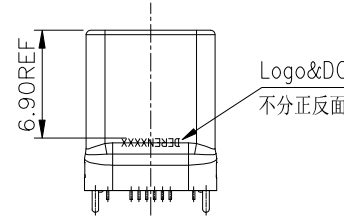
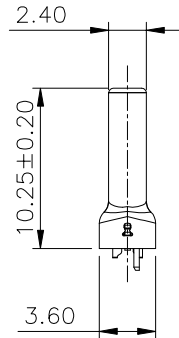
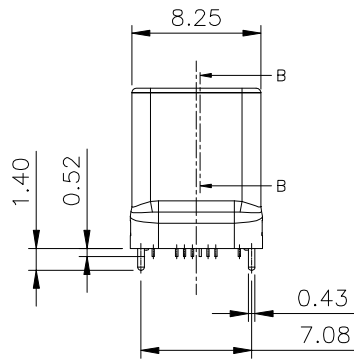
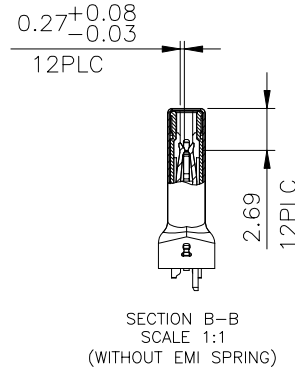
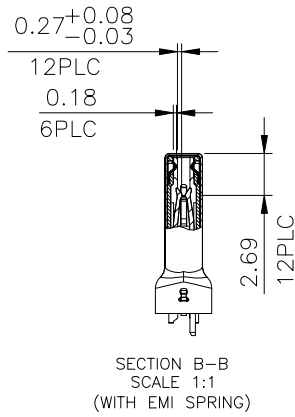
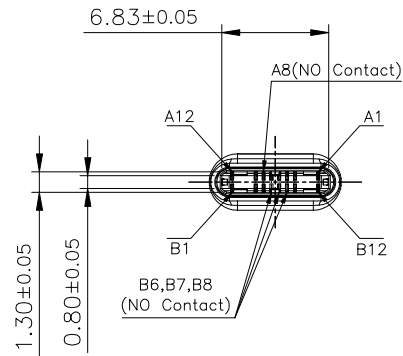


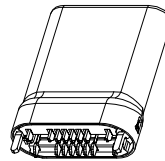
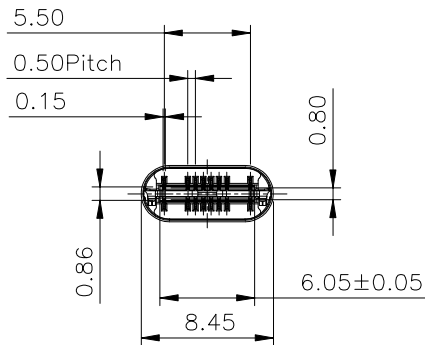
# HF

Halogen Free

REV.	ECN NO.	LOCATION	DESCRIPTION	DATE	DESIGN
X1			INITIAL RELEASE	2020.09.14	Liangkeyao



RECOMMEND P.C.B LAYOUT  
TOLERANCES: ±0.05;  
PCB T=0.80mm



DIM	TOL	DIM	TOL
x.	±0.30	x.	±2°
.x	±0.25	.x	±1°
.xx	±0.15		



**DEREN**  
SHENZHEN DEREN ELECTRONIC CO., LTD

CUSTOMER	DRAWING	DATE	TITLE: UC PLUG ALL CLOSE ASSY
DESIGN:	Liangkeyao	2020.09.14	3.6H 12PIN_ONLY CONN
CHECK:			P/N: 40-42415-CC00*****
APPROVAL:			SHEET: 1/3
REV. X1			SCALE: 1:1 UNIT: mm

**HF**  
Halogen Free

REV.	ECN NO.	LOCATION	DESCRIPTION	DATE	DESIGN
X1			INITIAL RELEASE	2020.09.14	Liangkeyao

NOTES:

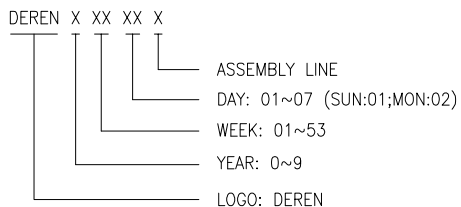
1. MATERIAL

- 1.1 HSG: HIGH TEMPERATURE THERMOPLASTIC UL94V-0
- 1.2 CONTACT: COPPER ALLOY
- 1.3 LATCH: STAINLESS STEEL
- 1.4 EMI SPRING: STAINLESS STEEL
- 1.5 SHELL: STEEL

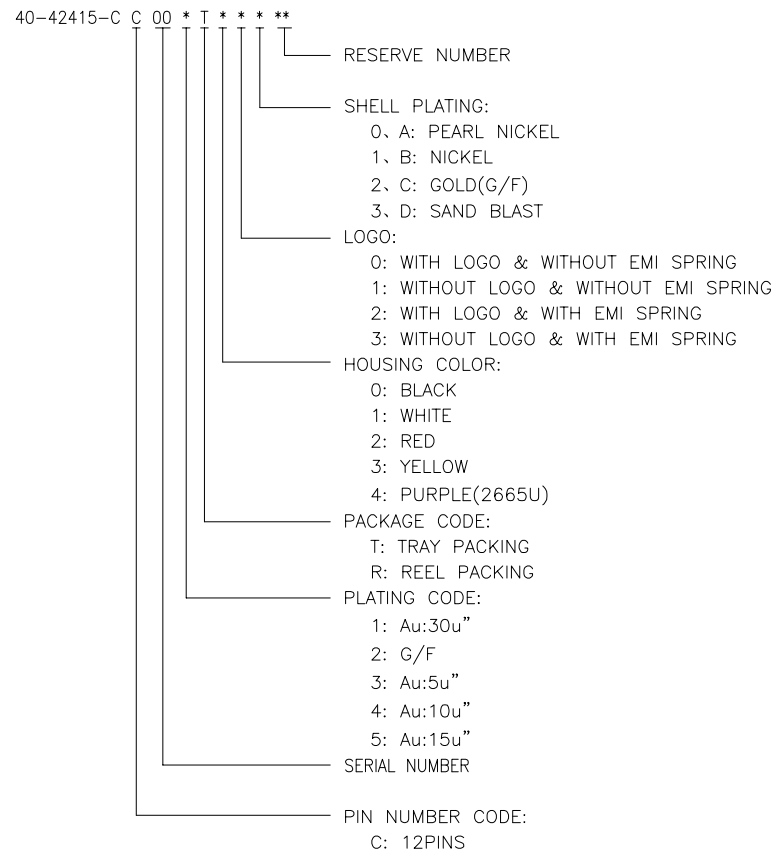
2. FINISH:

- 2.1 CONTACT:  
SEE TABLE MIN, Au PLATING ON CONTACT AREA.  
100u" [2.54um] MIN. TIN PLATING ON SOLDER TAIL AREA.  
80u" [2.03um] MIN. NICKEL UNDERPLATING ON ALLOVER AREA.
- 2.2 SHELL  
SEE TABLE
- 2.3 LATCH:  
100u" [2.54um] MIN. TIN PLATING ON SOLDER TAIL AREA.  
50u" [1.27um] MIN. NICKEL UNDERPLATING ON ALLOVER AREA.

3. DATE CODE INFORMATION:



4. PART NUMBER INFORMATION:



PINS DESCRIPTION  
PLUG FRONT VIEW

A12	A11	A10	A9	A8	A7	A6	A5	A4	A3	A2	A1
GND	/	/	VBus	/	D-	D+	CC	VBus	/	/	GND
GND	/	/	VBus	Vconn	/	/	/	VBus	/	/	GND
B1	B2	B3	B4	B5	B6	B7	B8	B9	B10	B11	B12

DIM	TOL	DIM	TOL
x.	±0.30	x.	±2°
.x	±0.25	.x	±1°
.xx	±0.15		



**DEREN**  
SHENZHEN DEREN ELECTRONIC CO., LTD

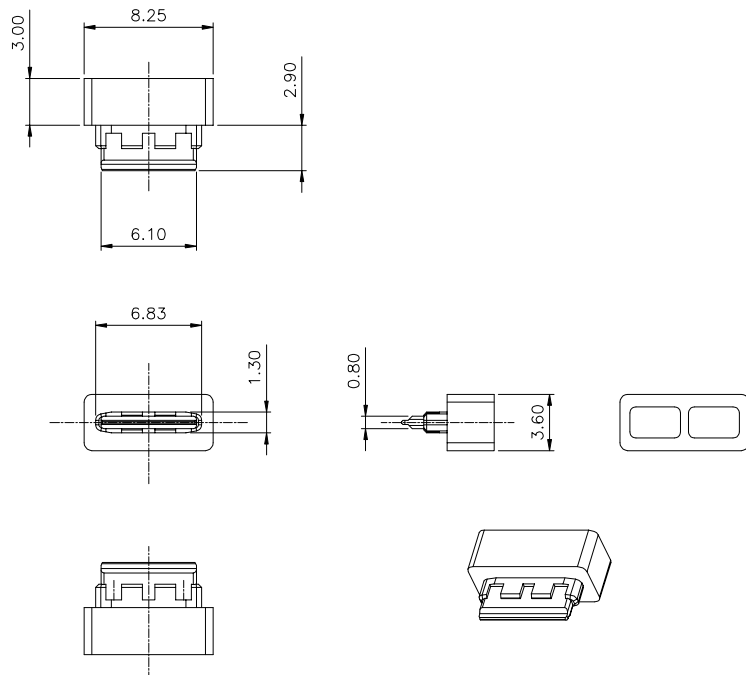
CUSTOMER DRAWING	DATE	TITLE: UC PLUG ALL CLOSE ASSY 3.6H 12PIN_ONLY CONN	
DESIGN: Liangkeyao	2020.09.14	P/N: 40-42415-CC00*****	
CHECK:		SHEET: 2/3	
APPROVAL:		SCALE: 1:1	UNIT: mm

**HF**

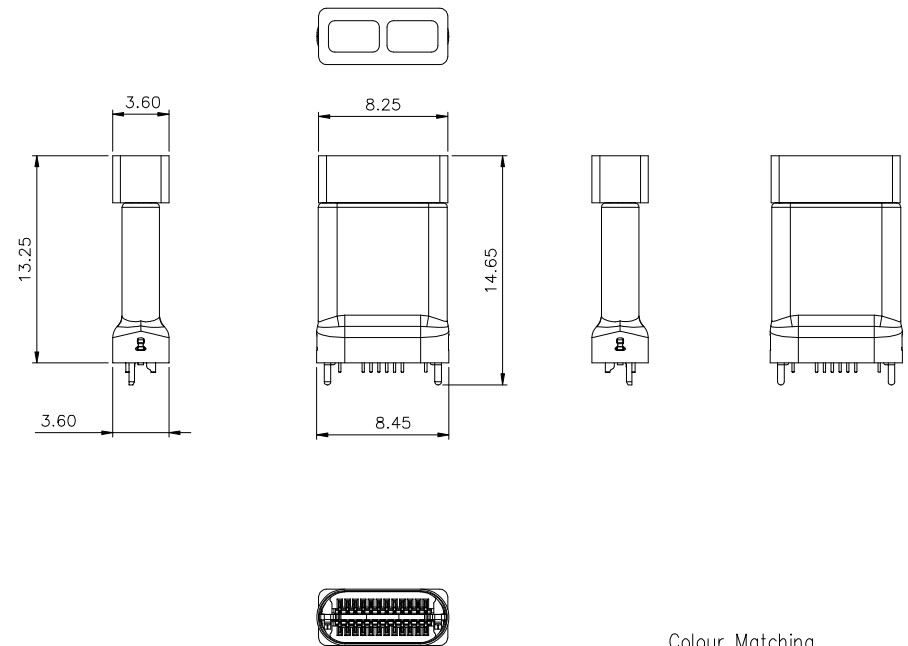
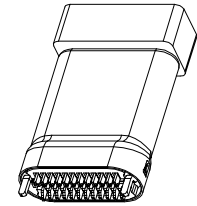
Halogen Free

REV.	ECN NO.	LOCATION	DESCRIPTION	DATE	DESIGN
X1			INITIAL RELEASE	2020.09.14	Liangkeyao

## IR HOLDER DRAWING



Before IR process, need assembly IR holder to type C Plug connector.



## Colour Matching

Housing Colour	Holder Colour
BLACK	BLACK
Other Colour	WHITE

DIM	TOL	DIM	TOL
x	±0.30	x	±2°
.x	±0.25	.x	±1°
.xx	±0.15		

**DEREN**

SHENZHEN DEREN ELECTRONIC CO., LTD

CUSTOMER	DRAWING	DATE	TITLE: UC PLUG ALL CLOSE ASSY
DESIGN:	Liangkeyao	2020.09.14	3.6H 12PIN_ONLY CONN
CHECK:			P/N: 40-42415-CC00*****
APPROVAL:			SHEET: 3/3
			SCALE: 1:1 UNIT: mm